

手柄快开型无菌取样阀 (SG-K)
Handle quickly open type sterile sampling valve (SG-K)



微生物无菌取样阀 (SG-W)
Microbiology sterile sampling valve (SG-W)



卡箍型无菌取样阀 (SGM)
Clamped Aseptic Sample Valve (SGM)



卡箍型无菌取样阀 (SGM-HT)
Clamped Aseptic Sample Valve (SGM-HT)



手/气一体无菌取样阀 (SGM)
Hand / gas integrated sterile sampling valve (SGM)



手/气一体无菌取样阀 (SG-K)
Hand / gas integrated sterile sampling valve (SG-K)



应用

Application

主要用于罐设备或管道里面的物料样品采集, 也可按照在罐设备或管道的最低点用来排泄残留液.

Mainly used in tank equipment or pipeline samples of the material inside the collection, but also in accordance with the lowest point of the tank equipment or pipes used to excrete residual liquid.

技术参数

Technical Parameters

接口形式: 焊接, 卡箍, 螺纹
最大压力: +10bar +145psi
适用温度: -10°C 至 +140°C
阀体材质: SS304 SS316L
密封材质: SI, EPDM

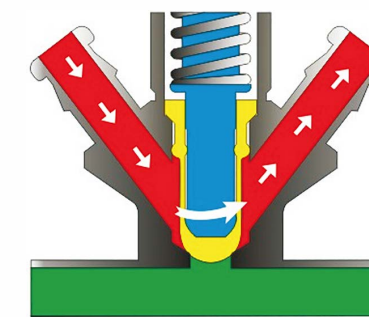
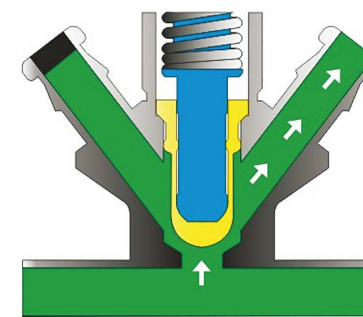
Interface form: welding, clamps, threads
Greatest pressure: +10bar +145psi
proper temperature: -10°C to +140°C
Body material: SS304 SS316L
Sealing material: SI, EPDM

工作原理

JOK系列无菌取样阀采用橡胶密封, 分为手柄快开型, 手轮微调型、气动型和手气一体型四种开启方式。带弹簧自动复位功能, 抬起手柄或扭转手轮同步提升阀芯, 使隔膜阀头脱离密封口开启阀门取样; 放下手柄和反方向旋转手轮处于空置状态时弹簧作用自动关闭阀门。

working principle

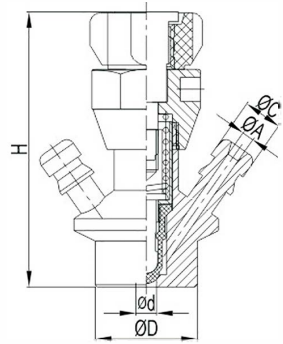
JOK series of sterile sampling valve with rubber seal, divided into the handle quick-opening type, hand wheel fine-tuning type, pneumatic and hand-gas integrated four open mode. With spring automatic reset function, lift the handle or turn the hand wheel synchronous poppet, so that the diaphragm valve head from the sealing port to open the valve sampling; put down the handle and the opposite direction of rotation of the hand wheel is in a vacant state, the spring automatically close the valve.



焊接型微生物无菌取样阀
Welding type microbial sterile sampling valve

JO-1050

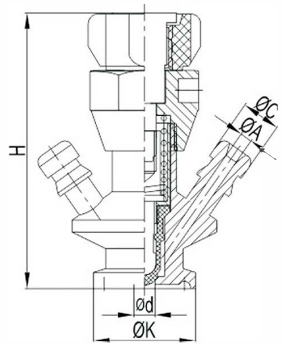
SIZE	d	D	A	C	H
DN6	4	28	3	9.5	68
DN10	8	28	7	14	93



卡箍型微生物无菌取样阀
Clamp type microbial sterile sampling valve

JO-1051

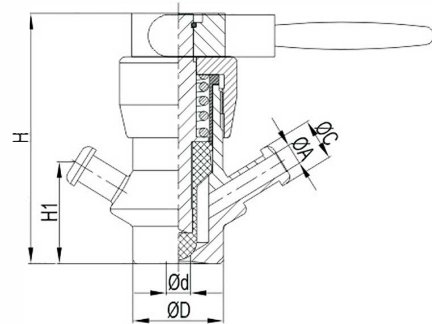
SIZE	d	K	A	C	H
DN6	4	25.2	3	9.5	68
DN10	8	50.5	7.2	14	93



焊接型快开无菌取样阀
Weld type quick open sterile sampling valve

JO-1052

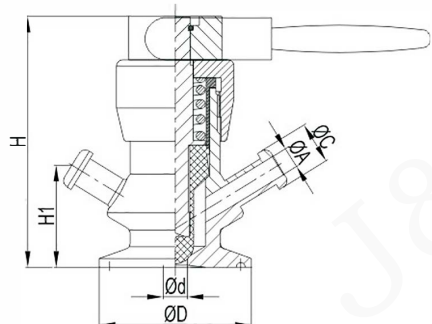
SIZE	d	D	A	C	H1	H
DN10	8	30	7.2	14	34	84



卡箍型快开无菌取样阀
Clamp type quick open sterile sampling valve

JO-1053

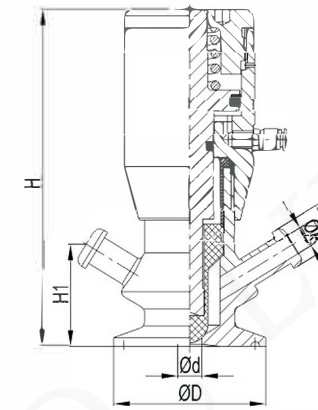
SIZE	d	K	A	C	H1	H
DN10	8	25.2/50.5	7.2	14	34	84



气动无菌取样阀(JO-K)
Pneumatic aseptic sampling valve(JO-K)

JO-1054

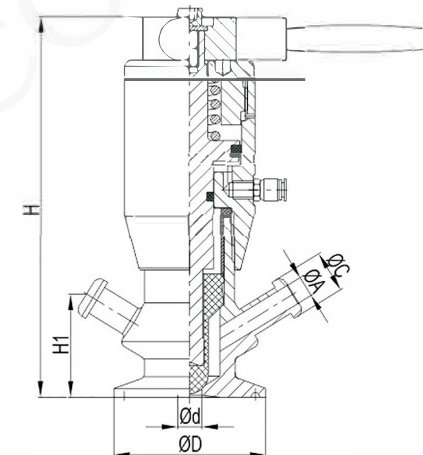
SIZE	d	K	A	C	H1	H
DN10	8	25.2/50.5	7.2	14	34	113



手/气一体无菌取样阀(JO-K)
Hand | gas integrated sterile sampling valve(JO-K)

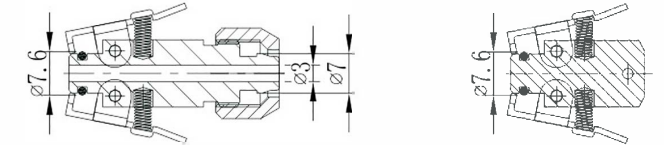
JO-1055

SIZE	d	K	A	C	H1	H
DN10	8	25.2/50.5	7.2	14	34	128

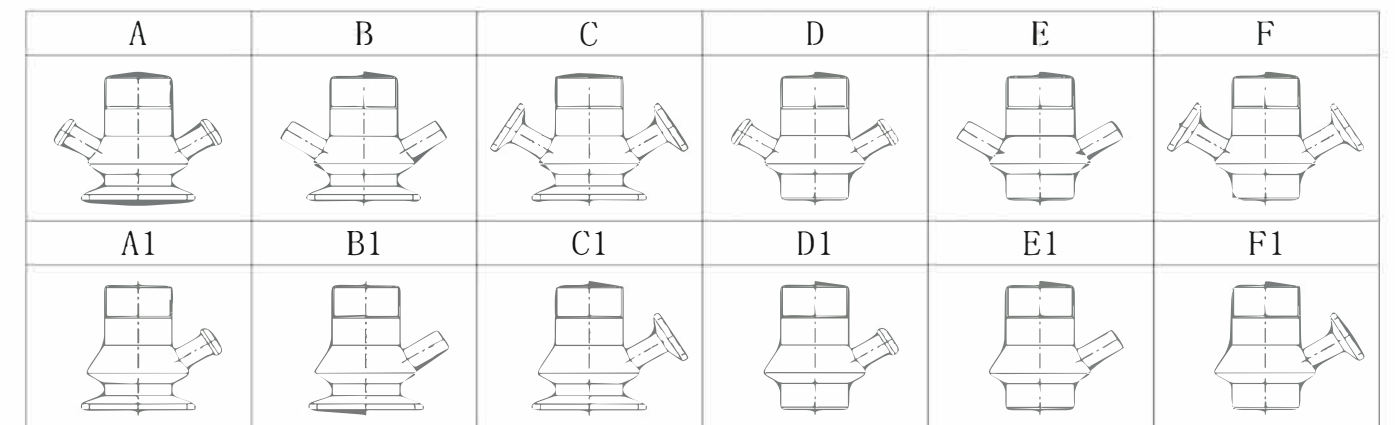


JO-1056

可配6mm胶管接头
Can be equipped with 6mm
hose connector



多种接口样式
HA variety of interface styles



JOM系列无菌取样阀特性

SGM Series Aseptic Sampling Valve Features

JOM系列无菌取样阀采用PTFE隔膜密封，通过膜片的伸缩来开启和关闭阀门。该系列分为不锈钢手柄快开型，塑料手柄快开型，手轮微调型、气动型和手气一体型五种开启形式。手动快开型和气动型带弹簧自动复位功能，可适应多种实际工况需求。



The JOM Series Sterile Sampling Valves are sealed with PTFE septum to open and close the valve through telescoping of the diaphragm. The series is divided into stainless steel handle quick opening type, plastic handle quick opening type, hand wheel fine-tuning type, pneumatic type and hand gas. One of five open form. Manual quick-open type and pneumatic automatic reset function with spring, can adapt to a variety of The actual working conditions.

开启形式(JOM)
Open form(JOM)

不锈钢手轮型
Stainless steel hand wheel

气动型
Pneumatic type

不锈钢手柄快开型
Stainless steel handle quick opening type

手/气一体型
Hand / gas integration

手轮微调型
Handwheel fine-tuning type



技术参数

Technical Parameters

接口形式: 焊接, 卡箍, 无菌法兰

手动型最大压力: +10bar(145psi)

弹簧复位型最大压力: +6bar +145psi

适用温度: -10°C至+140°C

阀体材质: SS304 SS316L

密封材质: PTFE

Interface form: welding, clamps, sterile flanges

Greatest pressure: +10bar(145psi)

Spring reset type maximum pressure: +6bar(87psi)

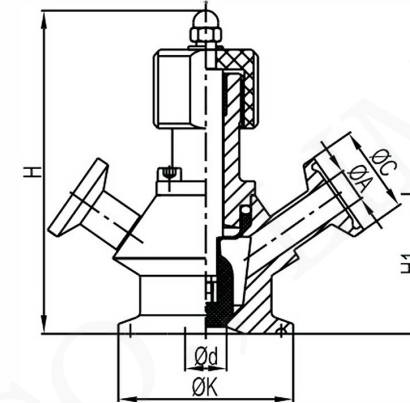
proper temperature: -10°C to +140°C

Body material: SS304 SS316L

Sealing material: PTFE

卡箍型无菌取样阀(JOM)
Clamped Aseptic Sample Valve(JOM)

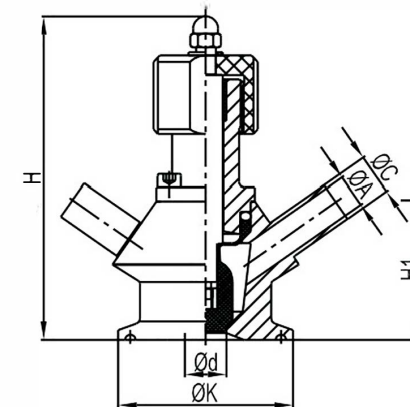
JO-1057



SIZE	d	K	A	C	H1	H
DN6	6	25.2	5	25.2	37.5	85
DN8	8	25.2/50.5	5	25.2	44.5	85
DN10	9.5	25.2/50.5	9.5	25.2	44.5	85
DN15	12	50.5	9.5	25.2	41.5	93

卡箍型无菌取样阀(JOM)
Clamped Aseptic Sample Valve(JOM)

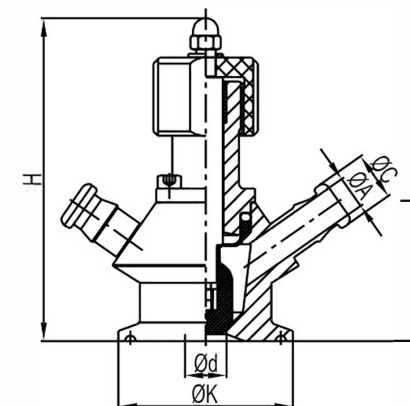
JO-1058



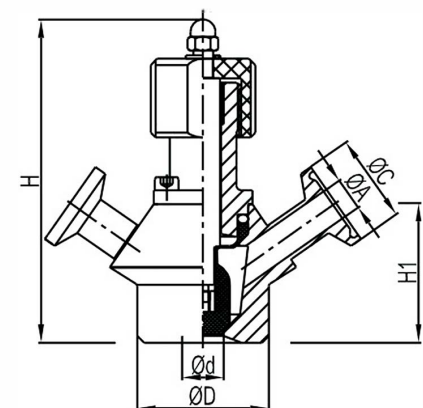
SIZE	d	K	A	C	H1	H
DN6	6	25.2	5	8	37.5	85
DN8	8	25.2/50.5	5	8	44.5	85
DN10	9.5	25.2/50.5	9.5	12.7	44.5	85
DN15	12	50.5	9.5	12.7	41.5	93

卡箍型无菌取样阀(JOM)
Clamped Aseptic Sample Valve(JOM)

JO-1059



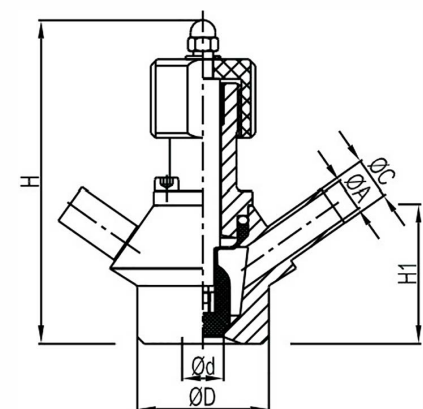
SIZE	d	K	A	C	H1	H
DN6	6	25.2	5	9.5	37.5	85
DN8	8	25.2/50.5	5	9.5	44.5	85
DN10	9.5	25.2/50.5	9.5	14	44.5	85
DN15	12	50.5	9.5	14	41.5	93



J0-1060

焊接型无菌取样阀 (JOM)
Welded Aseptic Sample Valve(JOM)

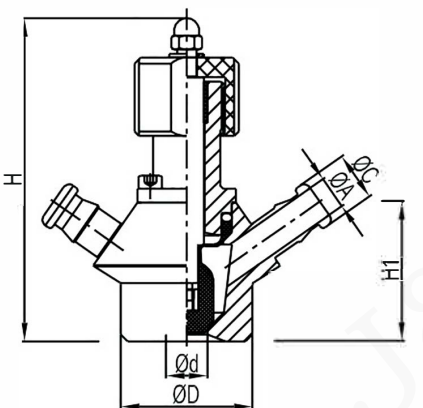
SIZE	d	D	A	C	H1	H
DN6	6	28	5	25.2	37.5	85
DN8	8	28	5	25.2	44.5	85
DN10	9.5	28	9.5	25.2	44.5	85
DN15	12	38	9.5	25.2	41.5	93



J0-1061

焊接型无菌取样阀 (JOM)
Welded Aseptic Sample Valve(JOM)

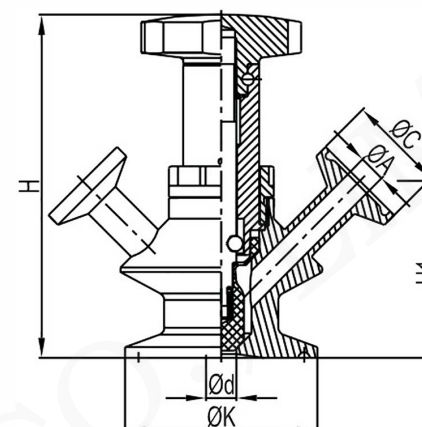
SIZE	d	D	A	C	H1	H
DN6	6	28	5	8	37.5	85
DN8	8	28	5	8	44.5	85
DN10	9.5	28	9.5	12.7	44.5	85
DN15	12	38	9.5	12.7	41.5	93



J0-1062

焊接型无菌取样阀 (JOM)
Welded Aseptic Sample Valve(JOM)

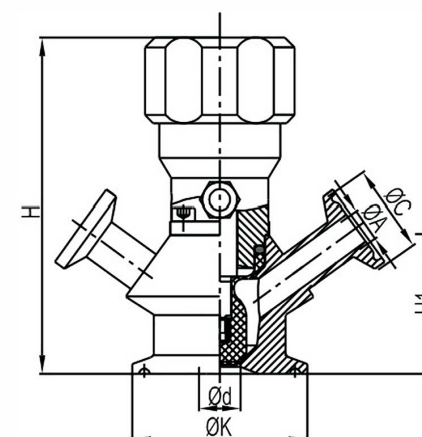
SIZE	d	D	A	C	H1	H
DN6	6	28	5	9.5	37.5	85
DN8	8	28	5	9.5	44.5	85
DN10	9.5	28	9.5	14	44.5	85
DN15	12	38	9.5	14	41.5	93



J0-1063

卡箍型无菌取样阀 (JOM-HT)
Clamped Aseptic Sample Valve(JOM-HT)

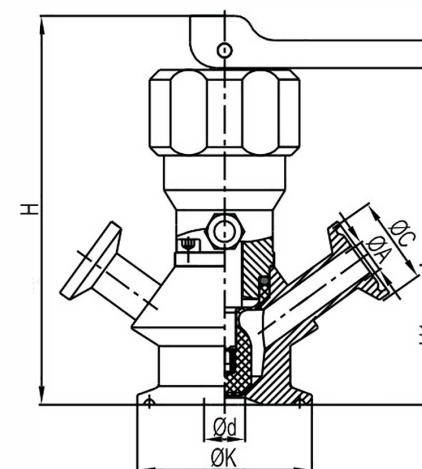
SIZE	d	K	A	C	H1	H
DN8	8	25.2/50.5	7.2	25.2	46	90
DN10	9.5	25.2/50.5	7.2	25.2	46	90
DN15	12	50.5	9.5	25.2	44	94.5



J0-1064

气动无菌取样阀 (JOM) Pneumatic aseptic sampling valve(JOM)

SIZE	d	K	A	C	H1	H
DN6	6	25.2	5	25.2	37.5	91
DN8	8	25.2/50.5	5	25.2	44.5	92
DN10	9.5	25.2/50.5	9.5	25.2	44.5	92
DN15	12	50.5	9.5	25.2	41.5	98

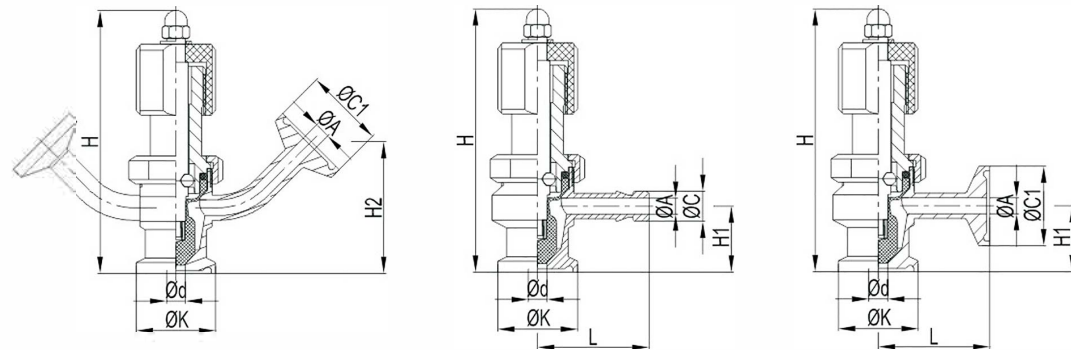


J0-1065

手/气一体无菌取样阀 (JOM)
Hand/ gas integrated sterile sampling valve(JOM)

SIZE	d	K	A	C	H1	H
DN6	6	25.2	5	25.2	37.5	105
DN8	8	25.2/50.5	5	25.2	44.5	106
DN10	9.5	25.2/50.5	9.5	25.2	44.5	106
DN15	12	50.5	9.5	25.2	41.5	112

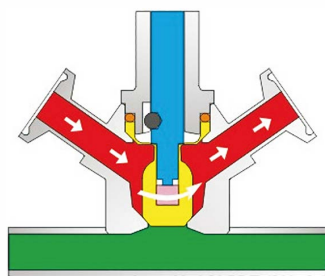
卡箍型无菌取样阀(SGM)
Clamped Aseptic Sample Valve(SGM)



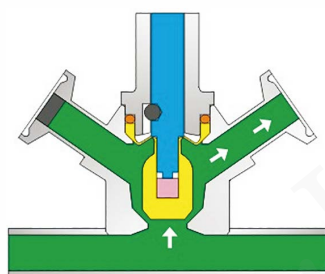
J0-1066

SIZE	d	K	A	C	C1	L	H1	H2	H
DN6	6	25.2	5	9.5	25.2	35	21	42	84

灭菌流向示意图
Sterilization flow diagram

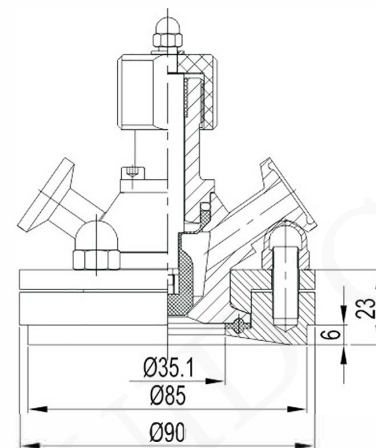


取样流向示意图
Sample flow diagram



无菌取样阀与无菌法兰(SGM)
Sterile sampling valves and sterile flanges(SGM)

J0-1067

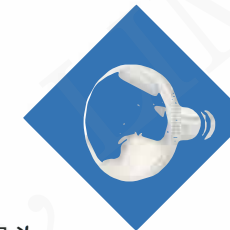


卫生取样阀
Sanitary sampling valve

椭圆形手轮
Oval hand wheel



圆形手轮
Round the handwheel



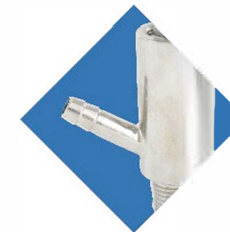
硅橡胶阀头
Silicone rubber valve head



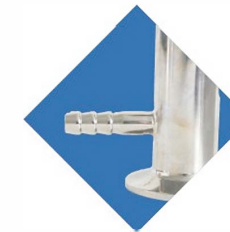
PTFE阀头
PTFE valve head



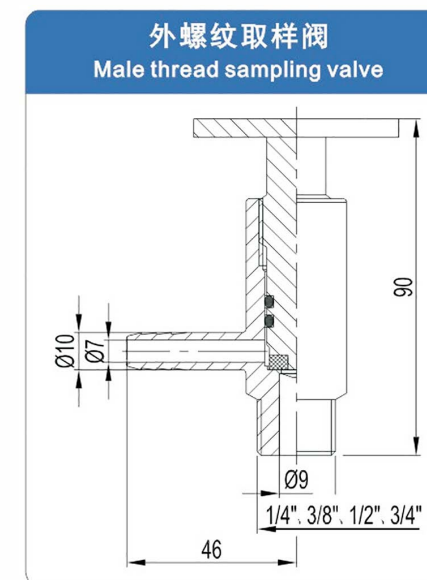
斜出口
Oblique export



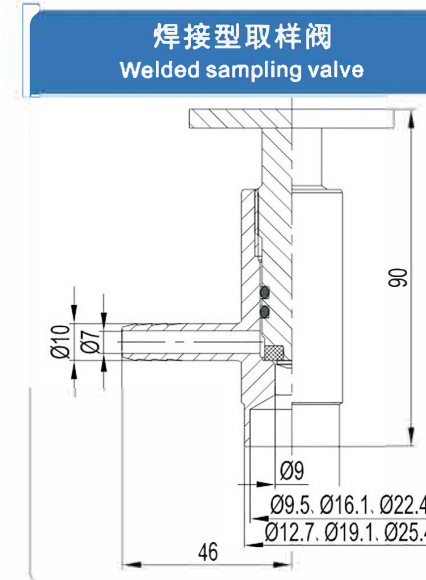
直出口
export of straight



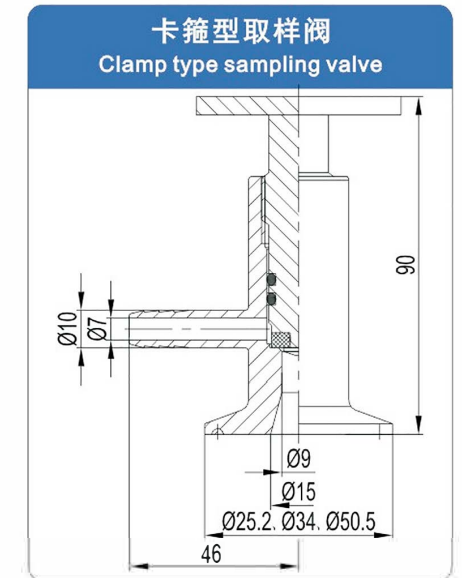
J0-1069



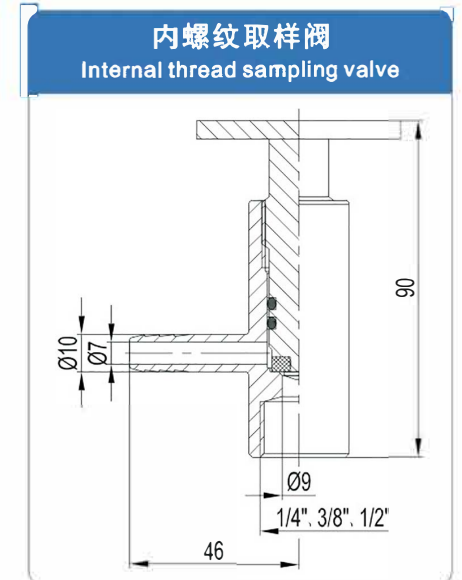
J0-1070



J0-1068



J0-1071



外螺纹取样阀
Male thread sampling valve

焊接型取样阀
Welded sampling valve

内螺纹取样阀
Internal thread sampling valve