

Sanitary Filter



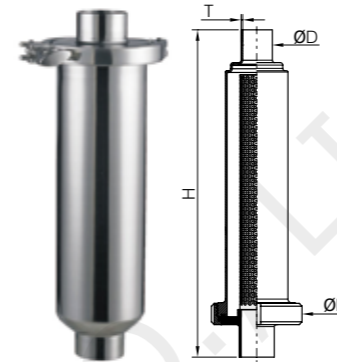


Material

Steel parts: 304 or 316L
Seal: EPDM (with standard) or NBR (optional)

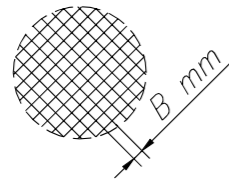
Technical parameter

Work pressure: 0~10 bar
Work temperature: -20~ +135 °C (EPDM as seal)
Temperature range: -10°C to 250°C



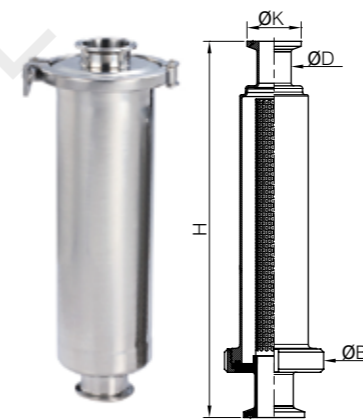
Welded Straight Strainer

DIN	D×T	Size							
		3A	D×T	SMS	D×T	ISO/IDF	D×T	H	B
DN25	28×1.5	1"	25.4×1.65	25	25.4×1.5	φ 25	25.4×1.5	325.0	114.0
DN32	34×1.5	1 1/4"	31.8×1.65	32	31.8×1.5	φ 32	31.8×1.5	330.0	114.0
DN40	40×1.5	1 1/2"	38.1×1.65	38	38.1×1.5	φ 38	38.1×1.5	330.0	114.0
DN50	52×1.5	2"	50.8×1.65	51	50.8×1.5	φ 51	50.8×1.5	350.0	125.0
DN65	70×2	2 1/2"	63.5×1.65	63	63.5×2	φ 63	63.5×2	405.0	138.0
DN80	85×2	3"	76.2×1.65	76	76.2×2	φ 76	76.2×2	500.0	148.0
DN100	104×2	4"	101.6×2.1	102	101.6×2	φ 102	101.6×2	600.0	178.0



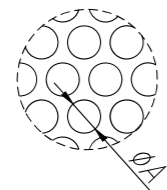
Screen: Metal Mesh

Mesh	B (mm)	Useful surface (%)
30	0.55	48
40	0.40	46
60	0.30	52.6
80	0.20	42
100	0.15	36.2
165	0.10	45.4



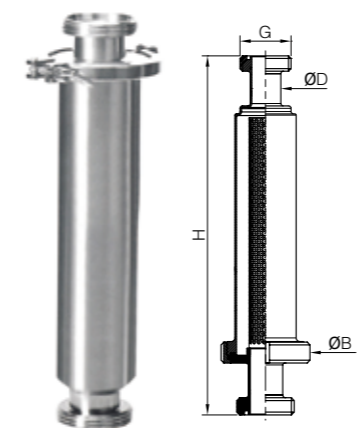
Clamped Straight Strainer

DIN	D×K	Size							
		3A	D×K	SMS	D×K	ISO/IDF	D×K	H	B
DN25	28×50.5	1"	25.4×50.5	25	25.4×50.5	φ 25	25.4×50.5	360.0	114.0
DN32	34×50.5	1 1/4"	31.8×50.5	32	31.8×50.5	φ 32	31.8×50.5	360.0	114.0
DN40	40×50.5	1 1/2"	38.1×50.5	38	38.1×50.5	φ 38	38.1×50.5	360.0	114.0
DN50	52×64.0	2"	50.8×64.0	51	50.8×64.0	φ 51	50.8×64.0	390.0	125.0
DN65	70×91.0	2 1/2"	63.5×77.5	63	63.5×77.5	φ 63	63.5×77.5	455.0	138.0
DN80	85×106.0	3"	76.2×91.0	76	76.2×91.0	φ 76	76.2×91.0	550.0	148.0
DN100	104×119.0	4"	101.6×119.0	102	101.6×119.0	φ 102	101.6×119.0	654.0	178.0



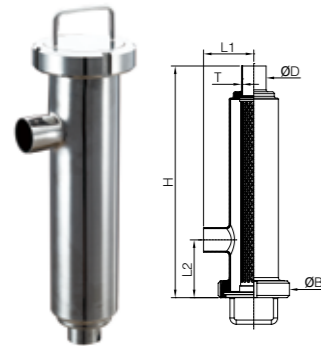
Screen: Perforated Plate

A(mm)	Useful surface (%)
0.5	15
1	28
1.5	33
2	30
3	33
5	46



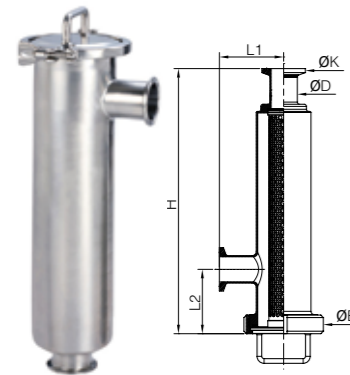
Threaded Straight Strainer

DIN	D	Size					
		G	SMS	D	G	H	B
DN25	28.0	RD52x1/6	25	25.4	RD40x1/6	360.0	114.0
DN32	34.0	RD58x1/6	32	31.8	RD48x1/6	360.0	114.0
DN40	40.0	RD65x1/6	38	38.1	RD60x1/6	360.0	114.0
DN50	52.0	RD78x1/6	51	50.8	RD70x1/6	390.0	125.0
DN65	70.0	RD95x1/6	63	63.5	RD85x1/6	455.0	138.0
DN80	85.0	RD110x1/4	76	76.2	RD98x1/6	550.0	148.0
DN100	104.0	RD130x1/4	102	101.6	RD125x1/4	654.0	178.0



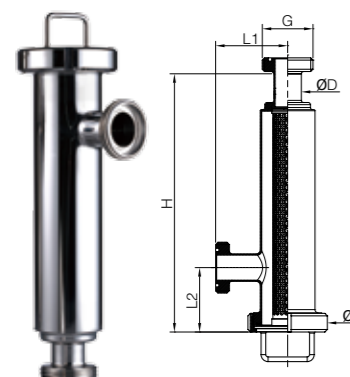
Welded Angle-Type Strainer

DIN	Size							H	B	L1	L2
	DxT	3A	DxT	SMS	DxT	ISO/IDF	DxT				
DN25	28x1.5	1"	25.4x1.65	25	25.4x1.5	φ 25	25.4x1.5	345.0	114.0	76.0	95.0
DN32	34x1.5	1 1/4 "	31.8x1.65	32	31.8x1.5	φ 32	31.8x1.5	345.0	114.0	76.0	95.0
DN40	40x1.5	1 1/2 "	38.1x1.65	38	38.1x1.5	φ 38	38.1x1.5	345.0	114.0	76.0	95.0
DN50	52x1.5	2"	50.8x1.65	51	50.8x1.5	φ 51	50.8x1.5	375.0	125.0	89.0	110.0
DN65	70x2	2 1/2 "	63.5x1.65	63	63.5x2	φ 63	63.5x2	440.0	138.0	102.0	125.0
DN80	85x2	3"	76.2x1.65	76	76.2x2	φ 76	76.2x2	575.0	148.0	114.0	145.0
DN100	104x2	4"	101.6x2.1	102	101.6x2	φ 102	101.6x2	640.0	178.0	140.0	165.0



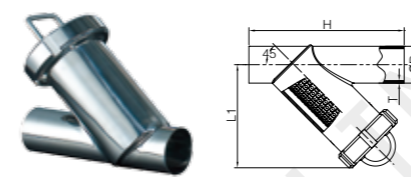
Clamped Angle-Type Strainer

DIN	Size							H	B	L1	L2
	DxK	3A	DxK	SMS	DxK	ISO/IDF	DxK				
DN25	28x50.5	1"	25.4x50.5	25	25.4x50.5	φ 25	25.4x50.5	360.0	114.0	95.0	95.0
DN32	34x50.5	1 1/4 "	31.8x50.5	32	31.8x50.5	φ 32	31.8x50.5	360.0	114.0	95.0	95.0
DN40	40x50.5	1 1/2 "	38.1x50.5	38	38.1x50.5	φ 38	38.1x50.5	360.0	114.0	95.0	95.0
DN50	52x64.0	2"	50.8x64.0	51	50.8x64.0	φ 51	50.8x64.0	390.0	125.0	109.0	110.0
DN65	70x91.0	2 1/2 "	63.5x77.5	63	63.5x77.5	φ 63	63.5x77.5	460.0	138.0	125.0	125.0
DN80	85x106.0	3"	76.2x91.0	76	76.2x91.0	φ 76	76.2x91.0	530.0	148.0	134.0	145.0
DN100	104x119.0	4"	101.6x119.0	102	101.6x119.0	φ 102	101.6x119.0	655.0	178.0	160.0	165.0



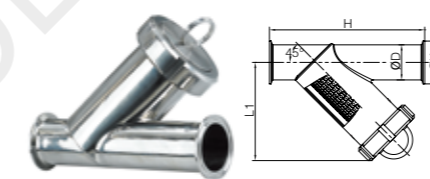
Threaded Angle-Type Strainer

DIN	Size						H	B	L1	L2
	D	G	SMS	D	G					
DN25	28.0	RD52x1/6	25	25.4	RD40x1/6	360.0	114.0	95.0	95.0	
DN32	34.0	RD58x1/6	32	31.8	RD48x1/6	360.0	114.0	95.0	95.0	
DN40	40.0	RD65x1/6	38	38.1	RD60x1/6	360.0	114.0	95.0	95.0	
DN50	52.0	RD78x1/6	51	50.8	RD70x1/6	390.0	125.0	109.0	110.0	
DN65	70.0	RD95x1/6	63	63.5	RD85x1/6	460.0	138.0	125.0	125.0	
DN80	85.0	RD110x1/4	76	76.2	RD98x1/6	530.0	148.0	134.0	145.0	
DN100	104.0	RD130x1/4	102	101.6	RD125x1/4	655.0	178.0	160.0	165.0	



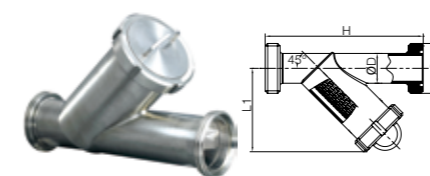
Welded Y-type Strainer

DIN	Size							H	L1
	DxT	3A	DxT	SMS	DxT	ISO/IDF	DxT		
DN25	28x1.5	1"	25.4x1.65	25	25.4x1.5	φ 25	25.4x1.5	120.0	115.0
DN32	34x1.5	1 1/4 "	31.8x1.65	32	31.8x1.5	φ 32	31.8x1.5	150.0	140.0
DN40	40x1.5	1 1/2 "	38.1x1.65	38	38.1x1.5	φ 38	38.1x1.5	170.0	160.0
DN50	52x1.5	2"	50.8x1.65	51	50.8x1.5	φ 51	50.8x1.5	190.0	182.0
DN65	70x2	2 1/2 "	63.5x1.65	63	63.5x2	φ 63	63.5x2	235.0	245.0
DN80	85x2	3"	76.2x1.65	76	76.2x2	φ 76	76.2x2	280.0	285.0
DN100	104x2	4"	101.6x2.1	102	101.6x2	φ 102	101.6x2	345.0	345.0



Clamped Y-type Strainer

DIN	Size							H	L1
	DxK	3A	DxK	SMS	DxK	ISO/IDF	DxK		
DN25	28x50.5	1"	25.4x50.5	25	25.4x50.5	φ 25	25.4x50.5	145.0	95.0
DN32	34x50.5	1 1/4 "	31.8x50.5	32	31.8x50.5	φ 32	31.8x50.5	165.0	110.0
DN40	40x50.5	1 1/2 "	38.1x50.5	38	38.1x50.5	φ 38	38.1x50.5	180.0	120.0
DN50	52x64.0	2"	50.8x64.0	51	50.8x64.0	φ 51	50.8x64.0	220.0	140.0
DN65	70x91.0	2 1/2 "	63.5x77.5	63	63.5x77.5	φ 63	63.5x77.5	280.0	175.0
DN80	85x106.0	3"	76.2x91.0	76	76.2x91.0	φ 76	76.2x91.0	350.0	195.0
DN100	104x119.0	4"	101.6x119.0	102	101.6x119.0	φ 102	101.6x119.0	500.0	260.0



Threaded Y-type Strainer

DIN	Size						H	L1
	D	G	SMS	D	G			
DN25	28.0	RD52x1/6	25	25.4	RD40x1/6	145.0	95.0	
DN32	34.0	RD58x1/6	32	31.8	RD48x1/6	165.0	110.0	
DN40	40.0	RD65x1/6	38	38.1	RD60x1/6	180.0	120.0	
DN50	52.0	RD78x1/6	51	50.8	RD70x1/6	220.0	140.0	
DN65	70.0	RD95x1/6	63	63.5	RD85x1/6	280.0	175.0	
DN80	85.0	RD110x1/4	76	76.2	RD98x1/6	350.0	195.0	
DN100	104.0	RD130x1/4	102	101.6	RD125x1/4	500.0	260.0	