

3PC Encapsulated Ball Valve

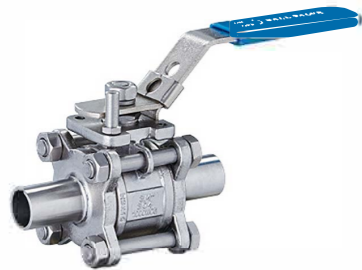
三片式全包球阀



快装气动三片式全包球阀
Clamped Pneumatic 3PC
Encapsulated Ball Valve



快装电动三片式全包球阀
Clamped Electric 3PC
Encapsulated Ball Valve



焊接手动三片式全包球阀
Welded Manual 3PC
Encapsulated Ball Valve



螺纹手动三片式全包球阀
Threaded Manual 3PC
Encapsulated Ball Valve



快装手动三片式全包球阀
Clamped Manual 3PC
Encapsulated Ball Valve



快装手动三片式高平台全包球
Clamped Manual 3PC High
Platform Encapsulated Ball Valve



法兰手动三片式高平台全包球
Flanged Manual 3PC
High Platform Encapsulated Ball Valve

3PC Encapsulated Ball Valve

三片式全包球阀

应用:

主要应用于食品、饮料、酿酒、生物制药、化工等领域。

设计特点:

- 全包覆式阀座设计,无滞留高洁净,满足 CIP SIP 杀菌和清洗要求,耐温 -40°C ~+150 °C,压力 0-10bar.
- 可配置各种执行机构,如电动、不锈钢立式气动、卧式气动、手柄(可带锁扣),还可加装控制单元、定位器、位置传感器等可兼容自动控制。
- 无论何种连接方式,阀体都可更换,且不会改变阀门的总长度。
- 连接方式:快装、焊接、螺纹、法兰
- 物料接触部位材质为 304/316L,其它部位 304
- 密封圈材质: PTFE,符合 FDA117.2600
- 尺寸: 1/2"-6"/DN15-DN150
- 标准: 3A、DIN、SMS、IDF、RJT、BPE、ISO

Applications:

It is applied in food , beverage, wine, pharmaceutical and chemical industries.

Design Features:

- All-inclusive tee design, no stranded high clean, meet the requirement of CIP and SIP sterilization and cleaning, and heat resistance of -40°C ~+150°C , the highest pressure 0-10 bar.
- Available with a variety of structures.such as electric pneumatic, stainless steel, horizontal vertical pneumatic, key manually handle can also be equipped with the control the unit, location,position sensor, and other compatible automatic control system.
- The valve body can be replaced in any connections and the length will not change.
- Connection: clamp, weld, thread, flange
- Material for the part contacted with media is 304/316L, other part is 304.
- Sealing material: PTFE, it is according to FDA117.2600
- Size:1/2" -6"/DN15-DN150
- Standards: 3A, DIN, SMS, IDF, RJT, BPE, ISO

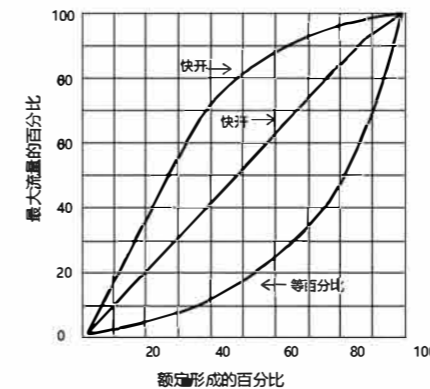
球阀流量系数 KV 值

Ball Valve Flow Coefficient KV Value

公称口径	15	20	25	32	40	50	65	80	100	125
Kv 值	21	38	72	112	170	273	384	512	940	1452

球阀流量特性快开曲线图

Quick Opening Curve Of Ball Valve Flow Characteristics



三片式全包球阀扭矩表

The N.m of 3 PC Full Package Ball Valve

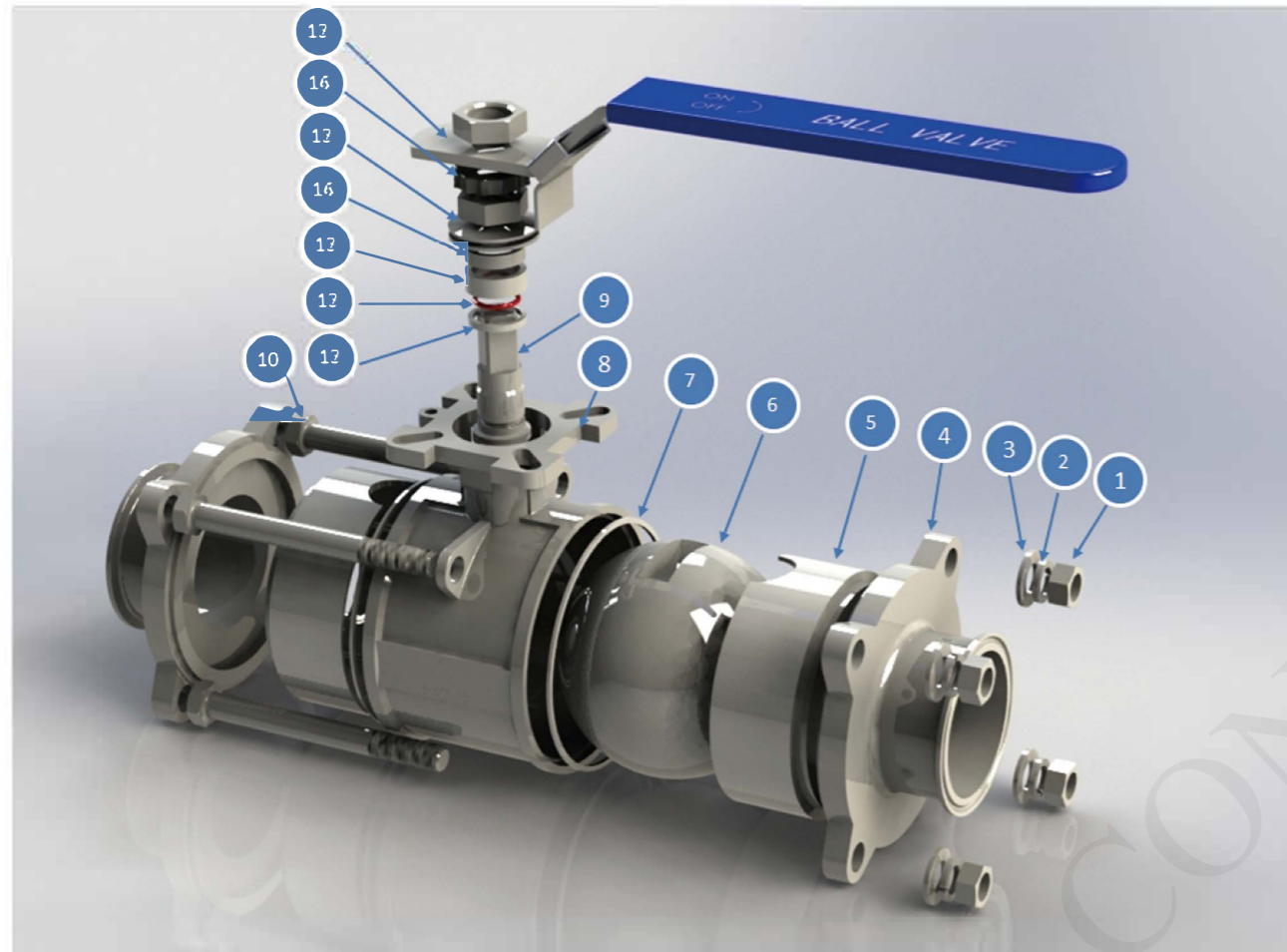
Size	1/2"-3/4"	1"/DN25	1.25"/DN40	1.5"/DN40	2"/DN50	2.5"/DN65	3"	DN80	4"/DN100
扭矩 N.M	6	10	12	14	20	40	75	90	100

选择执行器时建议增加 20%安全余量

Advice: increasing 20% Safety Margin When Selecting Actuators

3PC Encapsulated Ball Valve

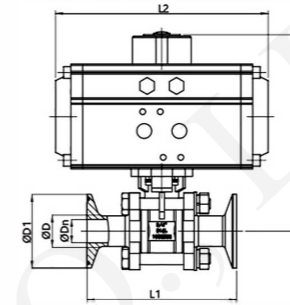
三片式全包球阀



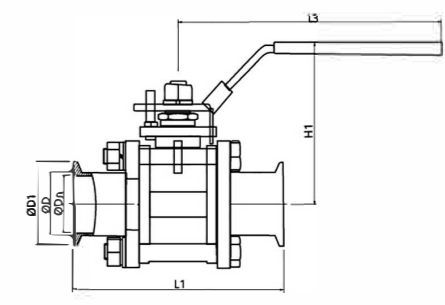
NO	DESCRION		
01	螺母 /Hex Nut	10	六角头螺栓 /Bolt
02	标准型弹性垫圈 /Bolt Elastic Washer	11	阀杆垫圈 /Stem Seal
03	平垫圈 /Bolt Washer	12	O 型圈 /O-Ring
04	阀盖 /Valve End	13	三组合填料 / Stem Packing
05	阀座 /Valve Seat	14	六角薄螺母 /Hex Nut
06	球体 /Ball	15	蝶形弹簧 /Gland Ring
07	四氟线条 /Body Seal	16	止退垫 /Backstop Pad
08	阀体 /Valve Body	17	手柄 /Handle
09	阀杆 /Stem		

3PC Encapsulated Ball Valve

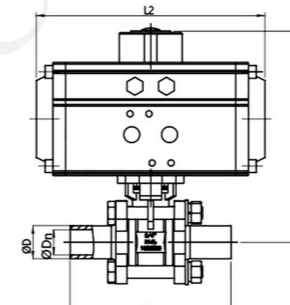
三片式全包球阀



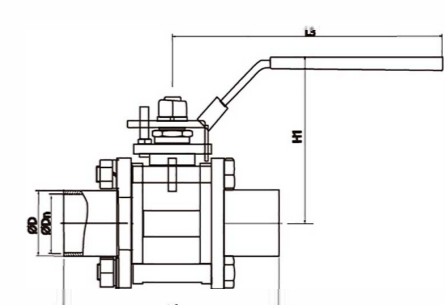
JOV-BHPA2008-22



JOV-BHM2006-22



JOV-BHPA2008-11



JOV-BHM2006-11

气动三片式全包球阀
Pneumatic 3PC Encapsulated Ball Valve

焊接 / 快装
Weld/Clamp

3A

双作用	Size	ØDn	ØD	ØD1	L1	L2	L3	H1	H	□ K×K
AT052	1/2"	9.4	12.7	25.2	90	155	130	61	125	9×9
	3/4"	15.8	19.1	25.2	102	155	130	65	131.5	9×9
	1"	22.1	25.4	50.5	115	155	170	78	141.5	11×11
AT063	1.25"	28.5	31.8	50.5	125	168	170	87	178	11×11
	1.5"	34.8	38.1	50.5	138	168	173	98	177.5	14×14
AT075	2"	47.5	50.8	64	156	219	173	107	202	14×14
AT095	2.5"	60.2	63.5	77.5	170	249	223	130	230	14×14
AT105	3"	72.9	76.2	91	197	274	335	153	258	17×17
AT115	4"	97.4	101.6	119	242	315	335	169	292.5	17×17
AT125	6"	146.9	152.4	167	394	355	680	248	406.5	27×27

手动三片式全包球阀
Manual 3PC Encapsulated Ball Valve

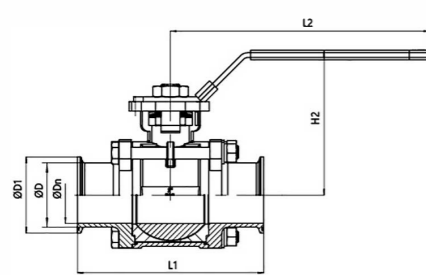
焊接 / 快装
Weld/Clamp

DIN

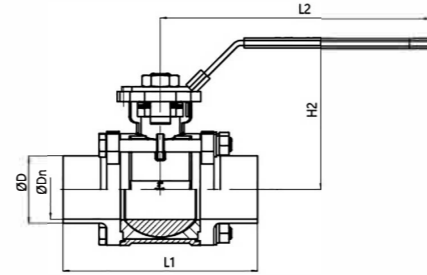
Size	ØDn	ØD	ØD1	L1	L2	L3	H1	H	□ K×K
DN15	15	18	34	102	155	130	61	131.5	9×9
DN20	19	22	34	102	155	130	65	131.5	9×9
DN25	25	28	50.5	115	155	170	78	143	11×11
DN32	31	34	50.5	125	168	170	87	159	11×11
DN40	37	40	50.5	138	168	173	98	177.5	14×14
DN50	49	52	64	156	219	173	107	202	14×14
DN65	66	70	91	180	249	223	151	237	14×14
DN80	81	85	106	220	274	335	160	267.5	17×17
DN100	100	104	119	242	315	335	169	292.5	17×17

3PC Encapsulated Ball Valve

三片式全包球阀



JOV-BHM2008-22



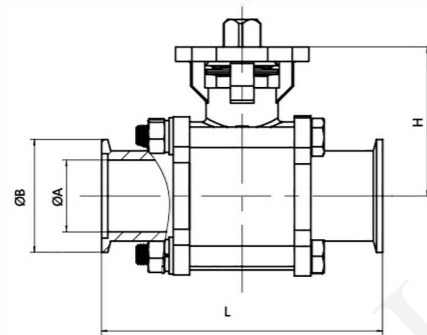
JOV-BHM2008-11

手动三片式高平台全包球阀
Manual 3PC High Platform Encapsulated Ball Valve

焊接 / 快装
Weld/Clamp

3A

Size	ØDn	ØD	ØD1	L1	L2	H2	□ K×k
1/2"	9.4	12.7	25.2	90	130	62	9×9
3/4"	15.8	19.1	25.2	102	130	68	9×9
1.0"	22.1	25.4	50.5	115	170	89	11×11
1.25"	28.5	31.8	50.5	125	170	89	11×11
1.5"	34.8	38.1	50.5	138	215	115	14×14
2.0"	47.5	50.8	64	156	215	121	14×14
2.5"	60.2	63.5	77.5	170	215	138	14×14
3.0"	72.9	76.2	91	197	325	155	17×17
4.0"	97.4	101.6	119	242	325	167	17×17
6.0"	146.9	152.4	167	394	680	248	27×27



JOV-BHM2008KF-22

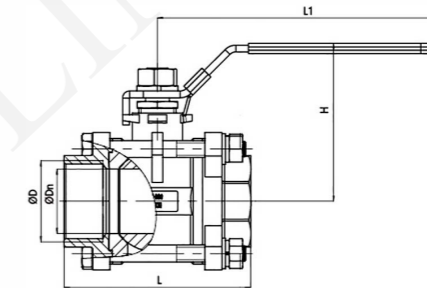
三片式高平台球阀
3PC High Platform Bal Valve

真空式
Vacuum Connection

Size	ØDn	ØD	L	H
KF10	9.4	30	90	36
KF16	15.8	30	102	42.5
KF25	22.1	40	115	52.5
KF40	34.8	55	138	72.5
KF50	47.5	75	156	79.5

3PC Encapsulated Ball Valve

三片式全包球阀

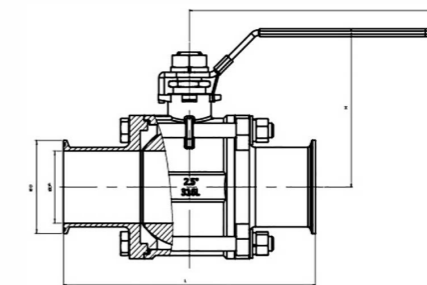


JOV-BGM2209

手动三片式球阀
Manual 3PC Ball Valve

工业级内丝
Female Thread

Size	ØDn	ØD	L	L1	H
3/8"	12	BSPT3/8	64	105	56
1/2"	15	BSPT1/2	69	105	56
3/4"	20	BSPT3/4	79	105	62
1.0"	25	BSPT1	90	114	68.5
1.25"	32	BSPT1.25	104	131	76.5
1.5"	38	BSPT1.5	115	169	93
2.0"	50	BSPT2	135	169	99.5



JOV-BHM2014-22

三片式 半包手动球阀
Three-piece half-pack manual ball valve

韩式
Korean

Size	ØDN	ØD	H	L	L1
1/2"	9.4	25.2/50.5	56	90	105
3/4"	15.8	25.2/50.5	60	102	105
1.0"	22.1	50.5	66	110	135
1.5"	34.8	50.5	88	140	170
2.0"	47.5	64	95	164	170
2.5"	60.2	77.5	131	210	210
3.0"	72.9	91	143	220	223
4.0"	97.4	119	164	242	320