

# Butterfly Type Ball Valve

蝶式球阀



手动快装蝶式球阀  
Manual Clamped  
Butterfly Type Ball Valve



手动快装蝶式球阀带排污口  
Manual Clamped Butterfly  
Type Ball Valve With Drain

## 应用:

该系列阀门是一款自动或手动操纵的蝶式球阀系列,因其能很好的处理粘性或含有颗粒物的介质,从而广泛应用于食品, 饮料, 酿酒, 制药及化工等领域。

## 设计特点:

- 操纵扭矩小
- 无论何种液体流向, 手柄可以安装在侧边的阀体上
- 可配气动或电动执行器
- 可带 CIP 清洗口
- 工作温度: EPDM(-40~ +120°C)、PTFE(-40~ +130°C)、FPM(-40~ +180°C)
- 工作压力: 0~ 10bar
- 物料接触部位材质为 304/316L, 其它部位 304, 密封材质 EPDM、VMQ、FPM
- 连接方式: 快装, 焊接, 螺纹, 法兰
- Size: 1/2"-4"/DN15-DN100
- 标准: 3A、DIN、SMS、IDF、RJT、BPE、ISO

## Applications:

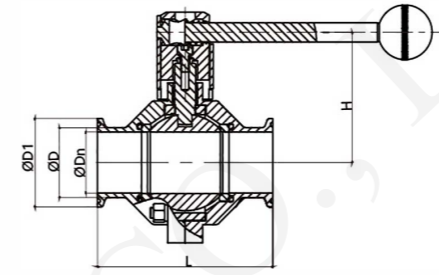
This type of valve is a kind of automatically particulate or manually manipulation of butterfly type ball valve, because of it can be a very good deal with viscous or medium with particulate, which is widely used in food, beverage, pharmaceutical and a chemical industrial piping system, to regulate and control the medium flow in the system.

## Design Features:

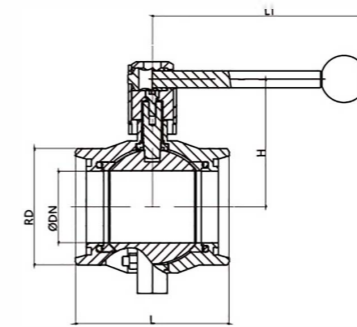
- Small torque moment
- Handle can be installed on the side of the valve body, no matter of the flow direction.
- It can match with pneumatic and electric actuators.
- It can match with CIP wash mouth.
- Working temperature: EPDM(-40~+120 °C ), PTFE(-40~ +130°C ), FPM(-40~ +180°C )
- Pressure of work: 0~ 10bar
- Material for the part contacted with media is 304/316L, other parts are 304. Sealing material: EPDM, VMQ, FPM
- Connection: clamp, weld, thread, flange
- Size: 1/2"-4"/DN15-DN100
- Standards: 3A, DIN, SMS, IDF, RJT, BPE, ISO

# Butterfly Type Ball Valve

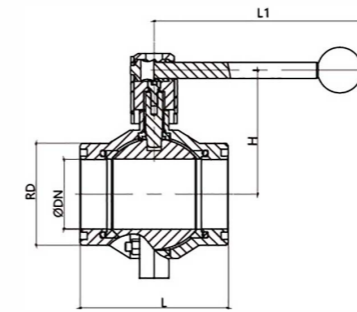
蝶式球阀



JOV-BHM2005-22



JOV-BHM2005-33



JOV-BHM2005-33

手动蝶式球阀  
Manual Butterfly Type Ball Valve

焊接 / 快装  
Weld/Clamp

3A

Size	ØDn	ØD	ØD1	L	L1	H	□ K×K
1/2"	9.4	12.7	25.2	70	143	60	10×10
3/4"	15.8	19.1	25.2	70	143	60	10×10
1"	22.1	25.4	50.5	85	143	68	10×10
1.25"	28.5	31.8	50.5	85	143	68	10×10
1.5"	34.8	38.1	50.5	100	143	75	10×10
2"	47.5	50.8	64	110	143	85	10×10
2.5"	60.2	63.5	77.5	125	143	107	10×10
3"	72.9	76.2	91	135	186	117	11×11
4"	97.4	101.6	119	170	215	140	14×14

手动蝶式球阀  
Manual Butterfly Type Ball Valve

螺纹  
Thread

DIN

Size	ØDn	Rd	L	L1	H	□ K×K
DN15	15	Rd34×1/8	70	143	60	10×10
DN20	19	Rd44×1/6	70	143	60	10×10
DN25	25	Rd52×1/6	85	143	68	10×10
DN32	31	Rd58×1/6	85	143	68	10×10
DN40	37	Rd65×1/6	100	143	75	10×10
DN50	49	Rd78×1/6	102	143	85	10×10
DN65	66	Rd95×1/6	125	143	107	10×10
DN80	81	Rd110×1/4	135	186	117	11×11
DN100	100	Rd130×1/4	170	215	140	14×14

手动蝶式球阀  
Manual Butterfly Ball Valve

螺纹  
Thread

SMS

Size	ØDn	Rd	L	L1	H	□ K×K
19	15.8	Rd34×1/8	70	143	60	10×10
25	22.4	Rd40×1/6	85	143	60	10×10
32	28.8	Rd48×1/6	85	143	60	10×10
38	35.1	Rd60×1/6	100	143	68	10×10
51	47.8	Rd70×1/6	102	143	85	10×10
63	60.5	Rd85×1/6	125	143	107	10×10
76	73.2	Rd98×1/6	135	186	117	11×11
89	84.9	Rd105×1/6	135	186	117	11×11
101.6	97.6	Rd125×1/4	170	215	140	14×14
101.6	97.6	Rd132×1/6	170	215	140	14×14