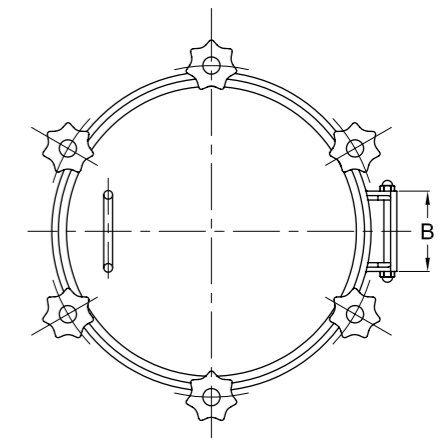
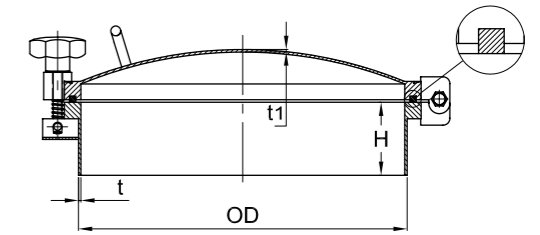


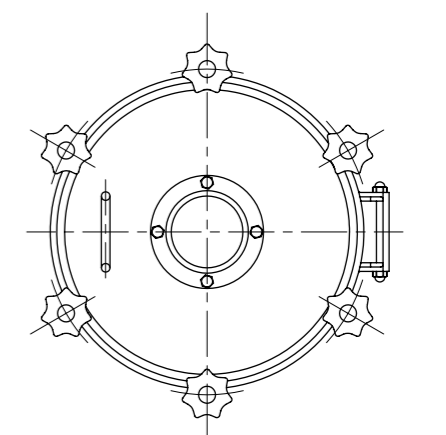
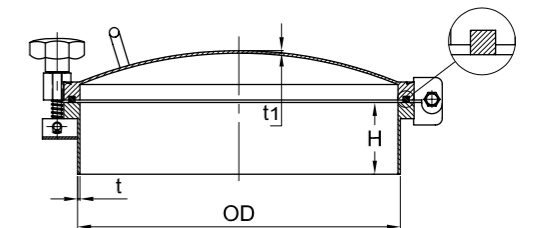
Sanitary Manhole Cover

Sanitary Manhole Cover



Round Outward Manhole With Pressure

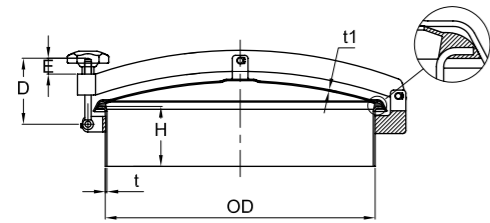
Size	OD mm	t mm	H mm	t1 mm	Handwheel-Num	Pres (Bar)
200	206	3	100	3	4	1 - 3
300	306	3	100	3	4	1 - 3
350	356	3	100	3	5	1 - 3
400	406	3	100	3	6	1 - 3
430	436	3	100	3	6	1 - 3
450	456	3	100	3	6	1 - 3
500	508	4	100	3	6	1 - 3
600	608	4	100	4	6	1 - 3



Round Outward Manhole With Sight Glass

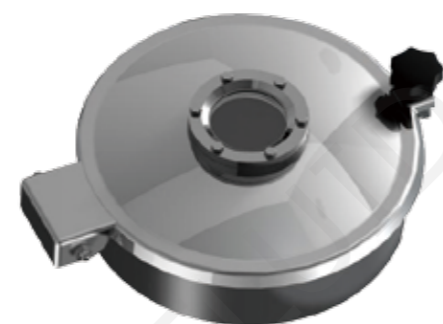
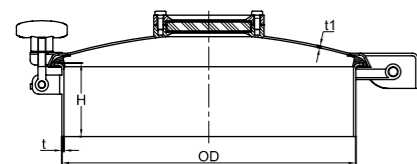
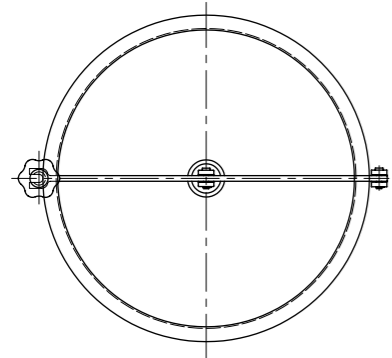
Size	OD mm	t mm	H mm	t1 mm	Sight Glass	Pres (Bar)
200	206	3	100	3	DN80	1 - 3
300	306	3	100	3	DN80	1 - 3
350	356	3	100	3	DN80	1 - 3
400	406	3	100	3	DN80	1 - 3
430	436	3	100	3	DN80	1 - 3
450	456	3	100	3	DN80	1 - 3
500	508	4	100	3	DN100	1 - 3
600	608	4	100	4	DN100	1 - 3





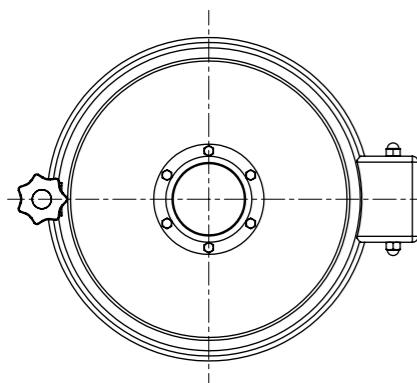
Round Outward Manhole

Size	OD mm	t mm	H mm	t1 mm	Pres (Bar)
200	200	2.5	100	2	0 - 0.1
219	219	2.5	100	2	0 - 0.1
300	300	2.5	100	2	0 - 0.1
350	350	2.5	100	2	0 - 0.1
400	400	3	100	2.5	0-0.1
430	430	3	100	2.5	0 - 0.1
450	450	3	100	2.5	0 - 0.1
500	500	3	100	2.5	0 - 0.1
600	600	4	100	3	0 - 0.1
420X300(Oval)	420X300	3	100	2.5	0 - 0.1



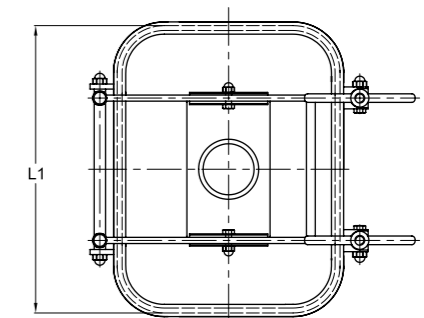
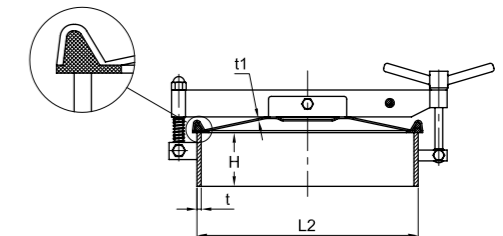
Round Manhole With Sight Glass

Size	OD mm	t mm	H mm	t1 mm	Sight Glass	Pres (Bar)
350	355	2.5	100	2.5	DN80	0-0.2
400	406	3	100	3	DN100	0-0.2
450	456	3	100	3	DN150	0-0.2
500	506	3	100	3	DN200	0-0.2
600	608	4	100	3	DN400/500	0-0.2



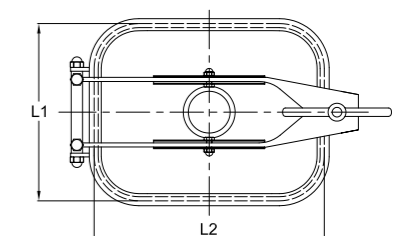
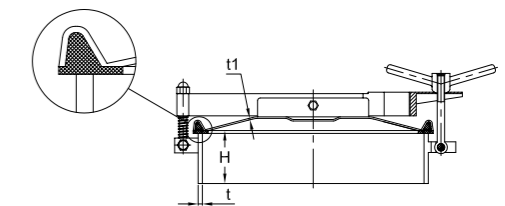
Rectangular Manhole With Two Intersectant Arms

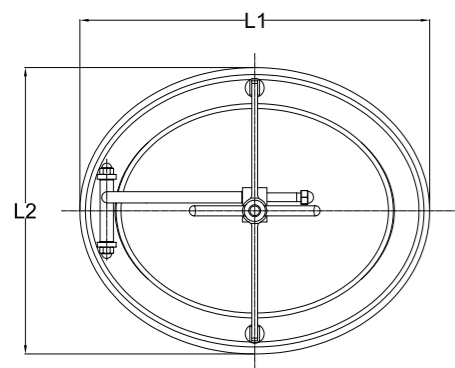
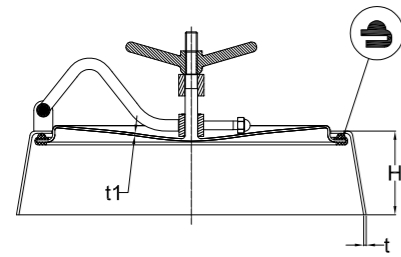
Size	OD mm L1*L2	t mm	H mm	t1 mm	Pres (Bar)
235*185	235*185	5	70	1.5	1 - 3
435*335	435*335	8	80	3	1 - 3
535*435	535*435	8	100	3	1 - 3
700*500	700*500	12	100	3	1 - 3



Rectangular Manhole With One Intersectant Arms

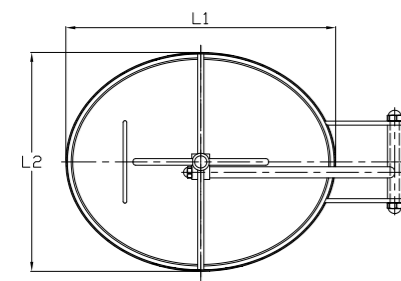
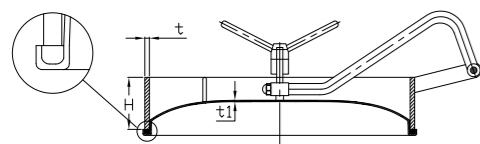
Size	OD mm L1*L2	t mm	H mm	t1 mm	Pres (Bar)
235*185	235*185	5	70	1.5	1 - 3
435*335	435*335	8	80	3	1 - 3
535*435	535*435	8	100	3	1 - 3
700*500	700*500	12	100	3	1 - 3





Oval Inward Manhole with Bevel Edge

Size	OD mm L1*L2	t1 mm	H mm	t2 mm	Pres (Bar)
550*450	550*450	3	80	4	1 - 3
550*450A	550*450	4	80	5	1 - 3
565*465	565*465	4	100	5	1 - 3
580*480	580*480	4	133	5	1 - 3



Oval Inward Manhole

Size	OD mm L1*L2	t mm	H mm	t1 mm	Pres (Bar)
430*330	430*330	8	75	2.5	1 - 3
435*335	435*335	10	75	2.5	1 - 3
450*350	450*350	8	75	3	1 - 3
530*430	530*430	10	75	3	1 - 3
535*435	535*435	12	75	3	1 - 3
635*525	635*525	12	80	3	1 - 3