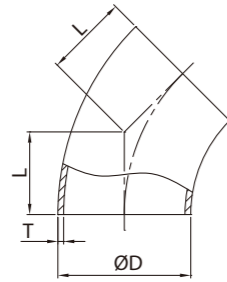
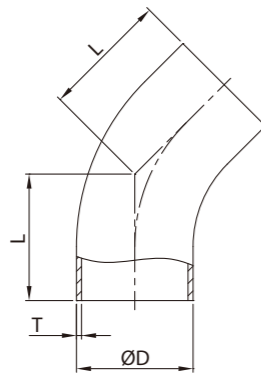


3A Tubular Items



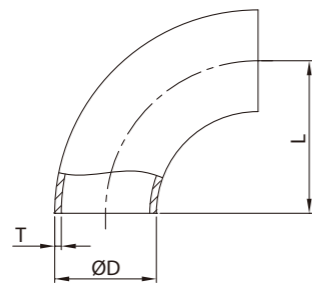
2WK SHORT 45° ELBOW

SIZE	ØD	L	T
1/2"	12.7	13.16	1.65
3/4"	19.05	23.8	1.65
1"	25.4	15.8	1.65
1.5"	38.1	23.8	1.65
2"	50.8	31.75	1.65
2.5"	63.5	39.6	1.65
3"	76.2	47.6	1.65
4"	101.6	63.5	2.1
6"	152.4	95.25	2.77



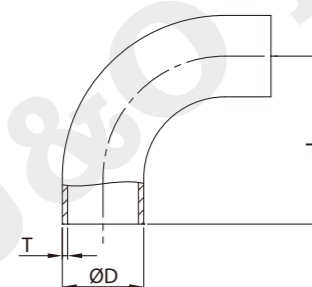
L2KS LONG 45° ELBOW

SIZE	ØD	L	T
1/2"	12.7	30.2	1.65
3/4"	19.05	30.2	1.65
1"	25.4	30.2	1.65
1.5"	38.1	41.3	1.65
2"	50.8	58.7	1.65
2.5"	63.5	76.2	1.65
3"	76.2	93.7	1.65
4"	101.6	122.2	2.1
6"	152.4	158.2	2.77



2WCL SHORT WELD 90° ELBOW

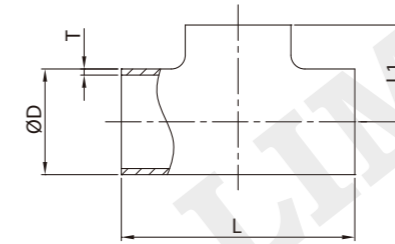
SIZE	ØD	L	T
1/2"	12.7	19.05	1.65
3/4"	19.05	28.58	1.65
1"	25.4	38.1	1.65
1.5"	38.1	57.2	1.65
2"	50.8	76.2	1.65
2.5"	63.5	95.25	1.65
3"	76.2	114.3	1.65
4"	101.6	152.4	2.1
6"	152.4	228.6	2.77
8"	203.2	304.8	2.77



L2S LONG WELD 90° ELBOW

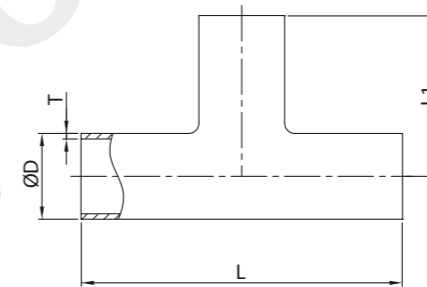
SIZE	ØD	L	T
1/2"	12.7	45	1.65
3/4"	19.05	60	1.65
1"	25.4	52.4	1.65
1.5"	38.1	74.6	1.65
2"	50.8	103.2	1.65
2.5"	63.5	131.8	1.65
3"	76.2	160.3	1.65
4"	101.6	211.1	2.1
6"	152.4	292.1	2.77

3A Tubular Items



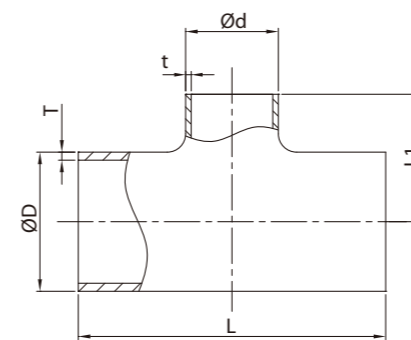
7WWW SHORT EQUAL WELD TEE

SIZE	ØD	L	L1	T
1/2"	12.7	38.1	19.05	1.65
3/4"	19.05	57.2	28.6	1.65
1"	25.4	57.2	28.6	1.65
1.5"	38.1	84.2	42.1	1.65
2"	50.8	104.8	52.4	1.65
2.5"	63.5	119	59.5	1.65
3"	76.2	131.8	65.9	1.65
4"	101.6	174.6	87.3	2.1
6"	152.4	254	127	2.77



7W LONG EQUAL WELD TEE

SIZE	ØD	L	L1	T
1/2"	12.7	95.2	47.6	1.65
3/4"	19.05	95.2	47.6	1.65
1"	25.4	95.2	47.6	1.65
1.5"	38.1	114.4	57.2	1.65
2"	50.8	152.4	76.2	1.65
2.5"	63.5	152.4	76.2	1.65
3"	76.2	165.2	82.6	1.65
4"	101.6	196.8	98.4	2.1
6"	152.4	285.8	142.9	2.77



7RW LONG REDUCING WELD TEE

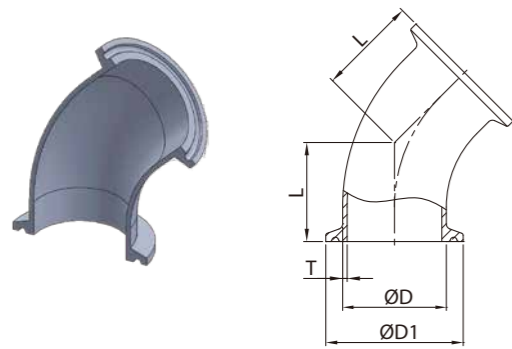
SIZE	ØD	Ød	L	L1	T	t
1"×1/2"	25.4	12.7	95.5	25.4	1.65	1.65
1"×3/4"	25.4	19.05	95.5	28.45	1.65	1.65
1.5"×1/2"	38.1	12.7	114.3	31.75	1.65	1.65
1.5"×3/4"	38.1	19.05	114.3	35.05	1.65	1.65
1.5"×1"	38.1	25.4	114.3	54	1.65	1.65
2"×1/2"	50.8	12.7	152.4	38.1	1.65	1.65
2"×3/4"	50.8	19.05	152.4	41.4	1.65	1.65
2"×1"	50.8	25.4	152.4	60.3	1.65	1.65
2"×1.5"	50.8	38.1	152.4	63.5	1.65	1.65
2.5"×1"	63.5	25.4	152.4	69.85	1.65	1.65
2.5"×1.5"	63.5	38.1	152.4	69.85	1.65	1.65
2.5"×2"	63.5	50.8	152.4	82.55	1.65	1.65
3"×1"	76.2	25.4	165.1	79.38	1.65	1.65
3"×1.5"	76.2	38.1	165.1	76.2	1.65	1.65
3"×2"	76.2	50.8	165.1	88.9	1.65	1.65
3"×2.5"	76.2	63.5	165.1	82.55	1.65	1.65
4"×1"	101.6	25.4	196.8	92.08	2.1	1.65
4"×1.5"	101.6	38.1	196.8	92.08	2.1	1.65
4"×2"	101.6	50.8	196.8	101.6	2.1	1.65
4"×2.5"	101.6	63.5	196.8	95.25	2.1	1.65
4"×3"	101.6	76.2	196.8	95.25	2.1	1.65
6"×2"	152.4	50.8	285.8	120.65	2.77	1.65
6"×3"	152.4	76.2	285.8	120.65	2.77	1.65
6"×4"	152.4	101.6	285.8	123.8	2.77	2.1



3A SMS, DIN, BS, AS Tube Line, Elbow / Tee / Reducer

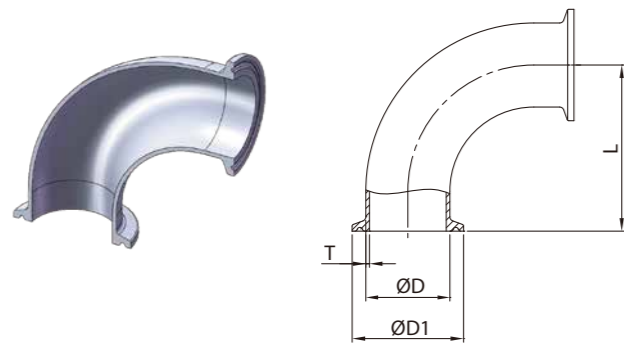
3A SMS, DIN, BS, AS Tube Line, Elbow / Tee / Reducer

3A Tubular Items



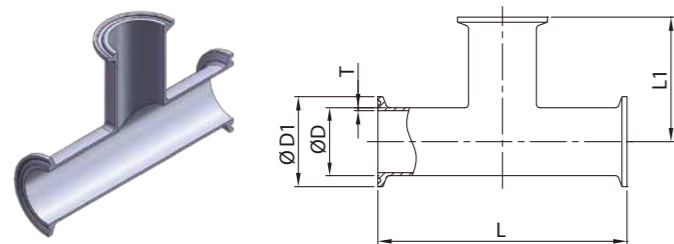
2KMP TRI-CLAMP 45° ELBOW

SIZE	ØD	ØD1	L	T
1/2"	12.7	25.2	19.8	1.65
3/4"	19.05	25.2	24.6	1.65
1"	25.4	50.5	28.5	1.65
1.5"	38.1	50.5	36.5	1.65
2"	50.8	64	44.45	1.65
2.5"	63.5	77.5	52.3	1.65
3"	76.2	91	60.3	1.65
4"	101.6	119	76.2	2.1
6"	152.4	166.87	117.5	2.77



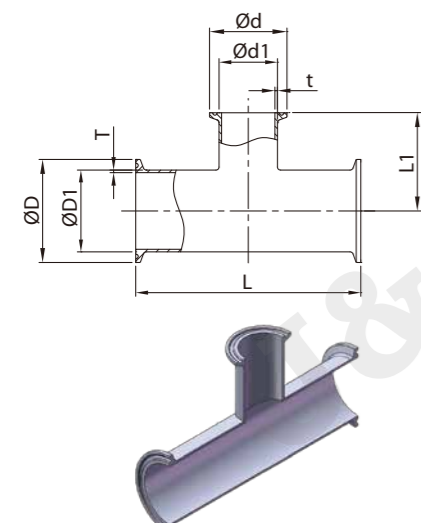
2CMP TRI-CLAMP 90° ELBOW

SIZE	ØD	ØD1	L	T
1/2"	12.7	25.2	41.3	1.65
3/4"	19.05	25.2	41.3	1.65
1"	25.4	50.5	50.8	1.65
1.5"	38.1	50.5	69.9	1.65
2"	50.8	64	88.9	1.65
2.5"	63.5	77.5	107.95	1.65
3"	76.2	91	127	1.65
4"	101.6	119	168.2	2.1
6"	152.4	166.87	250.8	2.77



7MP TRI-CLAMP EQUAL TEE

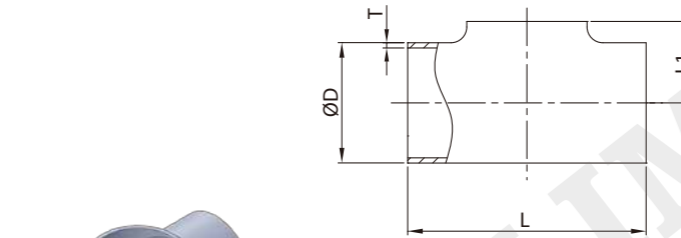
SIZE	ØD	ØD1	L	L1	T
1/2"	12.7	25.2	63.5	31.75	1.65
3/4"	19.05	25.2	120.6	60.3	1.65
1"	25.4	50.5	120.6	60.3	1.65
1.5"	38.1	50.5	139.8	69.9	1.65
2"	50.8	64	177.8	88.9	1.65
2.5"	63.5	77.5	177.8	88.9	1.65
3"	76.2	91	190.6	95.3	1.65
4"	101.6	119	228.4	114.2	2.1
6"	152.4	166.87	330.2	165.1	2.77



7RMP TRI-CLAMP REDUCING TEE

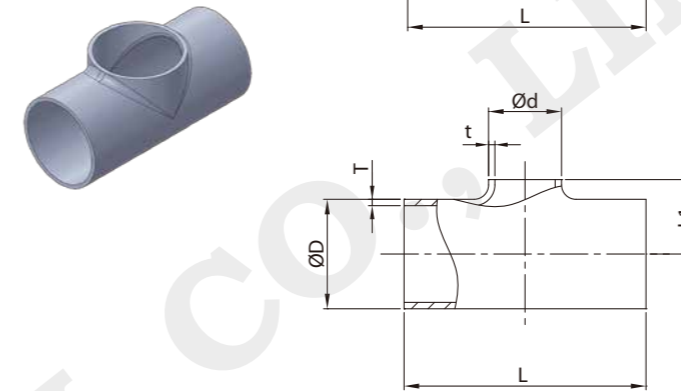
SIZE	ØD	ØD1	Ød	Ød1	L	L1	T	t
1.5"×1"	50.5	38.1	50.5	25.4	139.7	66.68	1.65	1.65
2"×1"	64	50.8	50.5	25.4	177.8	73	1.65	1.65
2"×1.5"	64	50.8	50.5	38.1	177.8	76.2	1.65	1.65
2.5"×1.5"	77.5	63.5	50.5	38.1	177.8	82.55	1.65	1.65
2.5"×2"	77.5	63.5	64	50.8	177.8	95.25	1.65	1.65
3"×1.5"	91	76.2	50.5	38.1	190.5	88.9	1.65	1.65
3"×2"	91	76.2	64	50.8	190.5	101.6	1.65	1.65
3"×2.5"	91	76.2	77.5	63.5	190.5	95.25	1.65	1.65
4"×2"	119	101.6	64	50.8	228.4	114.3	2.1	1.65
4"×2.5"	119	101.6	77.5	63.5	228.4	107.95	2.1	1.65
4"×3"	119	101.6	91	76.2	228.4	107.95	2.1	1.65

3A Tubular Items



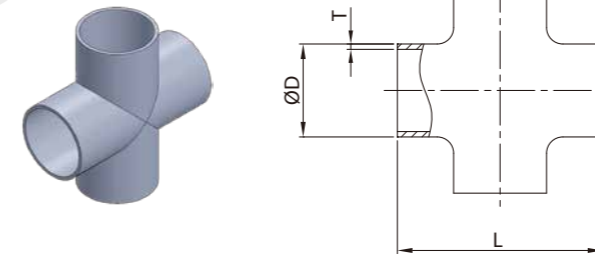
TWO Pull TEE WITHOUT STRAIGHT END

SIZE	ØD	L	L1	T
1"	25.4	57.2	16	1.65
1.5"	38.1	84.2	22	1.65
2"	50.8	104.8	29	1.65
2.5"	63.5	119	35	1.65
3"	76.2	131.8	41	1.65
4"	101.6	174.6	54	2.1



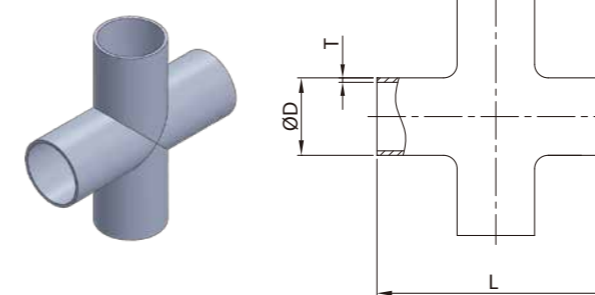
7RWS REDUCING TEE WITHOUT STRAIGHT END

SIZE	ØD	Ød	L	L1	T	t
1.5"×1"	38.1	25.4	84.2	22	1.65	1.65
2"×1.5"	50.8	38.1	104.8	29	1.65	1.65
2.5"×2"	63.5	50.8	119	35	1.65	1.65
3"×2"	76.2	50.8	131.8	41	1.65	1.65
3"×2.5"	76.2	63.5	131.8	41	1.65	1.65
4"×2"	101.6	50.8	235	54	2.1	1.65
4"×2.5"	101.6	63.5	235	54	2.1	1.65
4"×3"	101.6	76.2	235	54	2.1	1.65



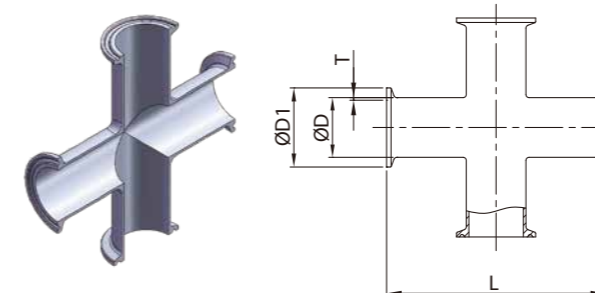
9WWW SHORT EQUAL WELD CROSS

SIZE	ØD	L	T
1"	25.4	57.2	1.65
1.5"	38.1	84.2	1.65
2"	50.8	104.8	1.65
2.5"	63.5	119	1.65
3"	76.2	131.8	1.65
4"	101.6	174.6	2.1



9W LONG EQUAL WELD CROSS

SIZE	ØD	L	T
1/2"	12.7	38.1	1.65
3/4"	19.05	95.25	1.65
1"	25.4	95.2	1.65
1.5"	38.1	114.4	1.65
2"	50.8	152.4	1.65
2.5"	63.5	152.4	1.65
3"	76.2	165.2	1.65
4"	101.6	196.8	2.1



9MP CLAMP LONG CROSS

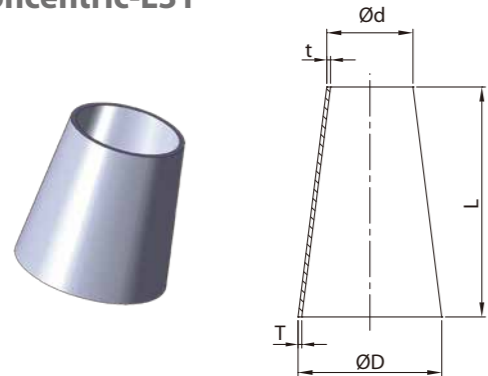
SIZE	ØD	ØD1	L	T
1"	25.4	50.5	120.6	1.65
1.5"	38.1	50.5	139.8	1.65
2"	50.8	64	177.8	1.65
2.5"	63.5	77.5	177.8	1.65
3"	76.2	91	190.6	1.65
4"	101.6	119	228.4	2.1

3A SMS, DIN, BS, AS Tube Line, Elbow / Tee / Reducer

3A SMS, DIN, BS, AS Tube Line, Elbow / Tee / Reducer

3A Tubular Items

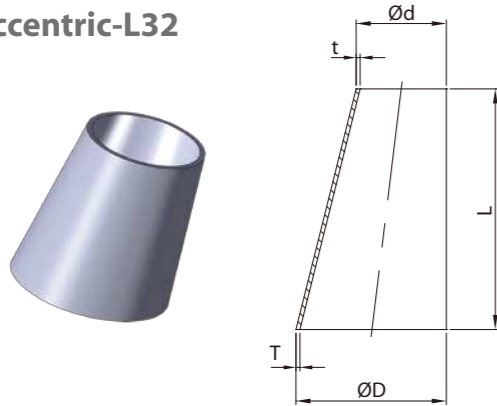
Concentric-L31



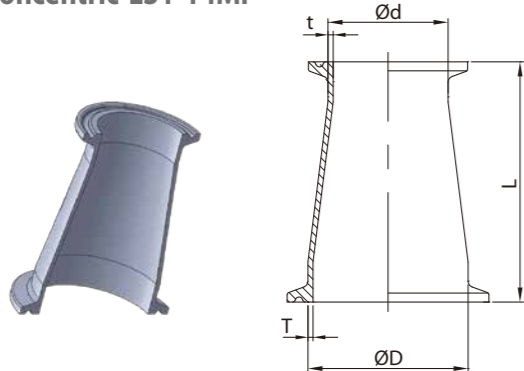
WELD REDUCERS

SIZE	ØD	Ød	L	T	t
3/4"×1/2"	19.05	12.7	25.4	1.65	1.65
1"×1/2"	25.4	12.7	50.8	1.65	1.65
1"×3/4"	25.4	19.05	25.4	1.65	1.65
1.5"×1/2"	38.1	12.7	101.6	1.65	1.65
1.5"×3/4"	38.1	19.05	76.2	1.65	1.65
1.5"×1"	38.1	25.4	50.8	1.65	1.65
2"×1/2"	50.8	12.7	152.4	1.65	1.65
2"×3/4"	50.8	19.05	127	1.65	1.65
2"×1"	50.8	25.4	101.6	1.65	1.65
2"×1.5"	50.8	38.1	50.8	1.65	1.65
2.5"×1"	63.5	25.4	152.4	1.65	1.65
2.5"×1.5"	63.5	38.1	101.6	1.65	1.65
2.5"×2"	63.5	50.8	50.8	1.65	1.65
3"×1"	76.2	25.4	203.2	1.65	1.65
3"×1.5"	76.2	38.1	152.4	1.65	1.65
3"×2"	76.2	50.8	101.6	1.65	1.65
3"×2.5"	76.2	63.5	50.8	1.65	1.65
4"×1"	101.6	25.4	304.8	2.1	1.65
4"×1.5"	101.6	38.1	254	2.1	1.65
4"×2"	101.6	50.8	203.2	2.1	1.65
4"×2.5"	101.6	63.5	152.4	2.1	1.65
4"×3"	101.6	76.2	101.6	2.1	1.65
6"×2"	152.4	50.8	139.7	2.77	1.65
6"×3"	152.4	76.2	139.7	2.77	1.65
6"×4"	152.4	101.6	139.7	2.77	2.1

Eccentric-L32



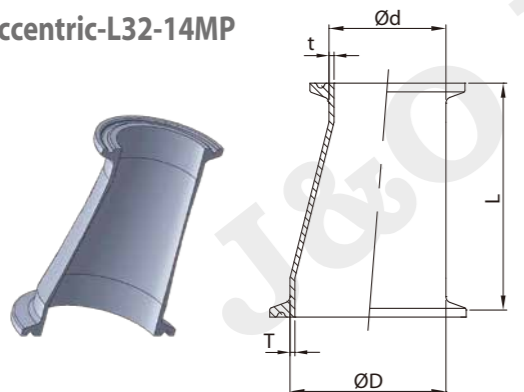
Concentric-L31-14MP



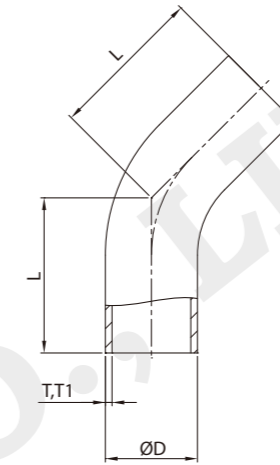
TRI-CLAMP REDUCERS

SIZE	ØD	Ød	L	T	t
3/4"×1/2"	19.05	12.7	50.8	1.65	1.65
1"×1/2"	25.4	12.7	76.2	1.65	1.65
1"×3/4"	25.4	19.05	50.8	1.65	1.65
1.5"×1/2"	38.1	12.7	127	1.65	1.65
1.5"×3/4"	38.1	19.05	101.6	1.65	1.65
1.5"×1"	38.1	25.4	76.2	1.65	1.65
2"×1/2"	50.8	12.7	177.8	1.65	1.65
2"×3/4"	50.8	19.05	152.4	1.65	1.65
2"×1"	50.8	25.4	127	1.65	1.65
2"×1.5"	50.8	38.1	76.2	1.65	1.65
2.5"×1.5"	63.5	38.1	127	1.65	1.65
2.5"×2"	63.5	50.8	76.2	1.65	1.65
3"×1"	76.2	25.4	228.6	1.65	1.65
3"×1.5"	76.2	38.1	177.8	1.65	1.65
3"×2"	76.2	50.8	127	1.65	1.65
3"×2.5"	76.2	63.5	76.2	1.65	1.65
4"×1.5"	101.6	38.1	282.5	2.1	1.65
4"×2"	101.6	50.8	231.7	2.1	1.65
4"×2.5"	101.6	63.5	180.9	2.1	1.65
4"×3"	101.6	76.2	130.1	2.1	1.65
6"×3"	152.4	76.2	165.1	2.77	1.65
6"×4"	152.4	101.6	165.1	2.77	2.1

Eccentric-L32-14MP

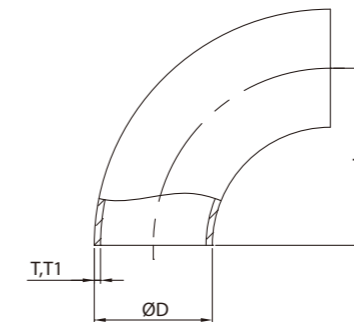


SMS Tubular Items



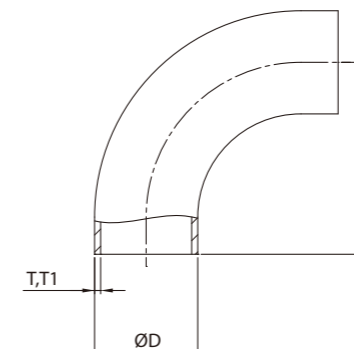
L2KS1D
LONG 45° ELBOW

SIZE	ØD	L	T	T1
DN25	25	42.33	1.25	1.5
DN38	38	48.72	1.25	1.5
DN50	51	58.15	1.25	1.5
DN63	63.5	75.3	1.5	1.5
DN76	76.1	79.37	1.6	2
DN100	104	85.54	2	2



2WCL
SHORT 90° ELBOW

SIZE	ØD	L	T	T1
DN25	25	37.5	1.25	1.5
DN38	38	57	1.25	1.5
DN50	51	76.5	1.25	1.5
DN63	63.5	95.25	1.5	1.5
DN76	76.1	114.15	1.6	2
DN100	104	152.1	2	2

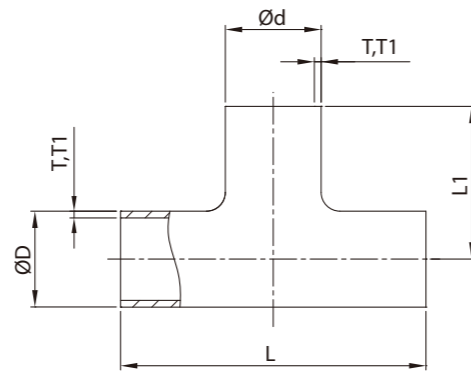
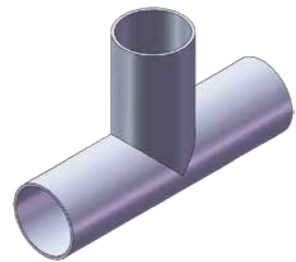


L2S1D
LONG 90° ELBOW

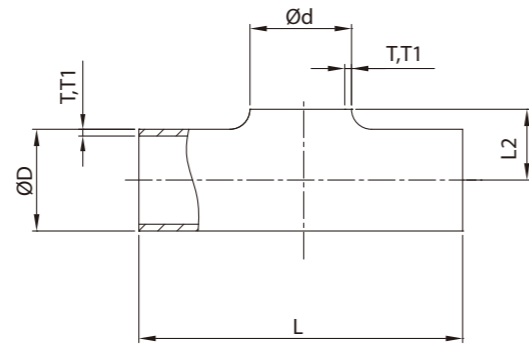
SIZE	ØD	L	T	T1
DN25	25	55	1.25	1.5
DN38	38	70	1.25	1.5
DN50	51	82	1.25	1.5
DN63	63.5	105	1.5	1.5
DN76	76.1	110	1.6	2
DN100	101.6	150	2	2
	104	150	2	2

SMS Tubular Items

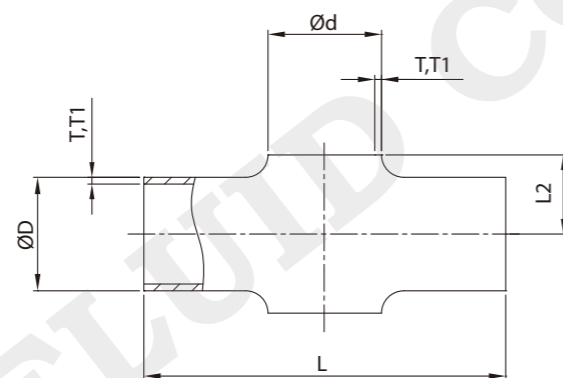
SMS 7W
Tee With Stright-End



SMS 7WO
TEE Without Straight-End



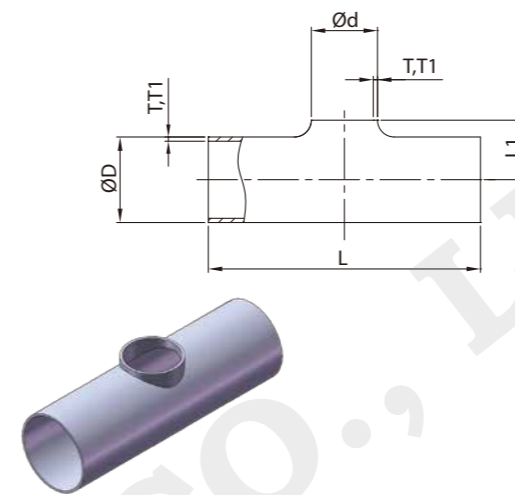
SMS 9WO
Welding Cross Without Straight-End



SIZE	ØD	ψ d	L	L1	L2	T	T1
DN25	25	25	110	55	14	1.25	1.5
DN38	38	38	140	70	21	1.25	1.5
DN50	51	51	164	82	28.5	1.25	1.5
DN63	63.5	63.5	210	105	36	1.5	1.5
DN76	76.1	76.1	220	110	43	1.6	2
DN100	104	104	300	150	58	2	2

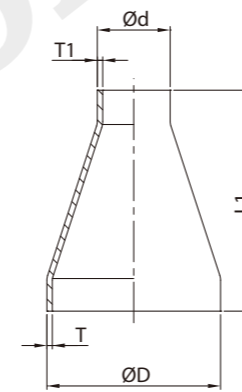
SMS Tubular Items

7WO
WELDING REDUCING TEE WITHOUT STRAIGHT-END

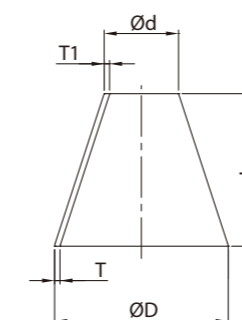


SIZE	ØD	Ød	L	L1	T	T1
38*25	38	25	140	21	1.25	1.5
50*25	51	25	164	29	1.25	1.5
50*38	51	38	164	29	1.25	1.5
63*25	63.5	25	210	34.5	1.5	1.5
63*38	63.5	38	210	35	1.5	1.5
63*50	63.5	51	210	36	1.5	1.5
76*25	76.1	25	220	41	1.6	2
76*38	76.1	38	220	42	1.6	2
76*50	76.1	51	220	43	1.6	2
76*63	76.1	63.5	220	43	1.6	2
100*25	104	25	300	56	2	2
100*38	104	38	300	56	2	2
100*50	104	51	300	57	2	2
100*63	104	63.5	300	58	2	2
100*76	104	76.1	300	58	2	2

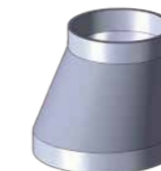
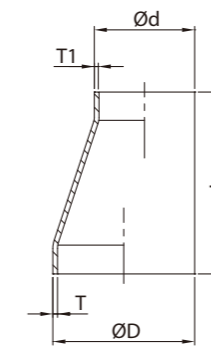
SMS L31SE
Concentric Reducer



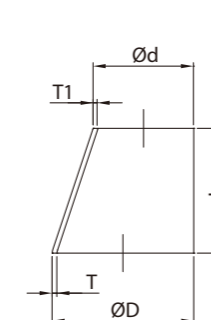
SMS L31
Concentric Reducer



SMS L32SE
Eccentric Reducer



SMS L32
Eccentric Reducer



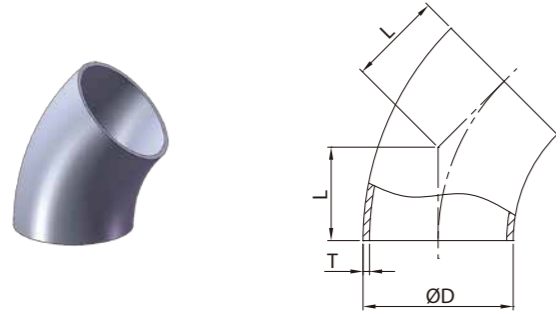
WELD REDUCER

SIZE	ØD	Ød	L	L1	T	T1
38*25	38	25	39	46	1.25	1.25
50*25	51	25	57	68	1.25	1.25
50*38	51	38	39	47	1.25	1.25
63*25	63.5	25	74	92	1.5	1.25
63*38	63.5	38	57	70	1.5	1.25
63*50	63.5	51	39	44	1.5	1.25
76*25	76.1	25	92	—	1.6	1.25
76*38	76.1	38	74	92	1.6	1.25
76*50	76.1	51	57	68	1.6	1.25
76*63	76.1	63.5	39	47	1.6	1.5
100*50	104	51	95	117	2	1.25
100*63	104	63.5	78	94	2	1.5
100*76	104	76.1	60	74	2	1.6

W/O STRAIGHT END REDUCER

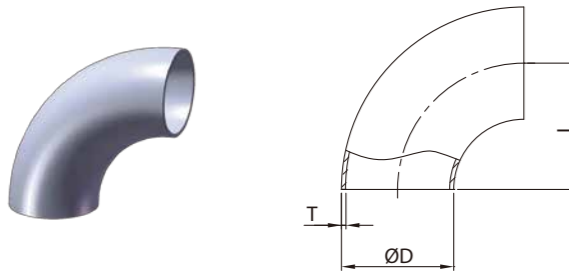
SIZE	ØD	Ød	L1	T	T1
38*25	38	25	39	1.25	1.25
50*25	51	25	78	1.25	1.25
50*38	51	38	39	1.25	1.25
63*25	63.5	25	116	1.5	1.25
63*38	63.5	38	76	1.5	1.25
63*50	63.5	51	38	1.5	1.25
76*25	76.1	25	153	1.6	1.25
76*38	76.1	38	114	1.6	1.25
76*50	76.1	51	75	1.6	1.25
76*63	76.1	63.5	38	1.6	1.5
100*38	104	38	198	2	1.25
100*50	104	51	159	2	1.25
100*63	104	63.5	122	2	1.5
100*76	104	76.1	84	2	1.6

DIN Tubular Items



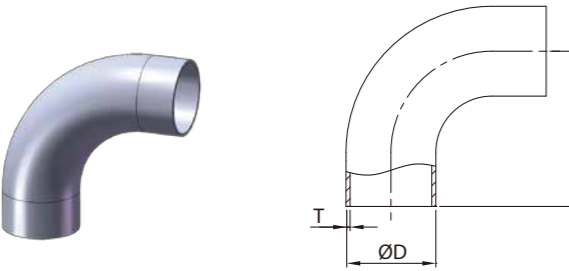
2WK SHORT 45° ELBOW

SIZE	ØD	L	T
DN20	22/23	16.6	1.5
DN25	28/29	20.7	1.5
DN32	34/35	22.8	1.5
DN40	40/41	24.9	1.5
DN50	52/53	29	1.5
DN65	70	33.1	2
DN80	85	37.3	2
DN100	104	41.4	2



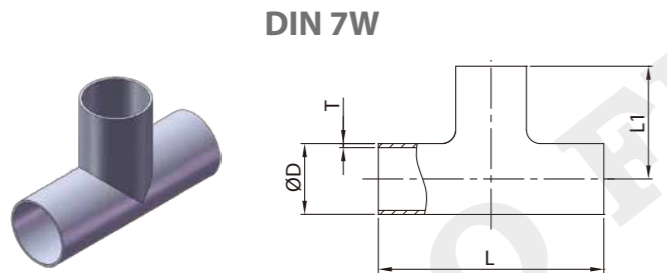
2WCL SHORT 90° ELBOW

SIZE	ØD	L	T
DN10	12/13	26	1.5
DN15	18/19	35	1.5
DN20	22/23	40	1.5
DN25	28/29	50	1.5
DN32	34/35	55	1.5
DN40	40/41	60	1.5
DN50	52/53	70	1.5
DN65	70	80	2
DN80	85	90	2
DN100	101.6	152.4	2
	104	100	2



L2S LONG 90° ELBOW

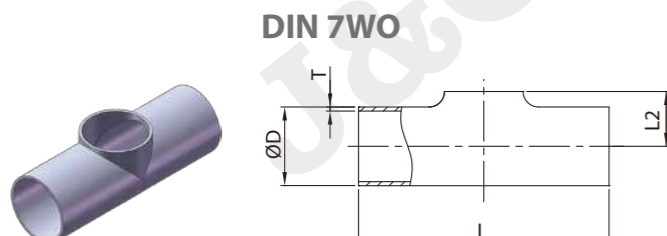
SIZE	ØD	L	T
DN20	22/23	52	1.5
DN25	28/29	65	1.5
DN32	34/35	73	1.5
DN40	40/41	80	1.5
DN50	52/53	92	1.5
DN65	70	105	2
DN80	85	119	2
DN100	101.6	175	2
	104	140	2



DIN 7W

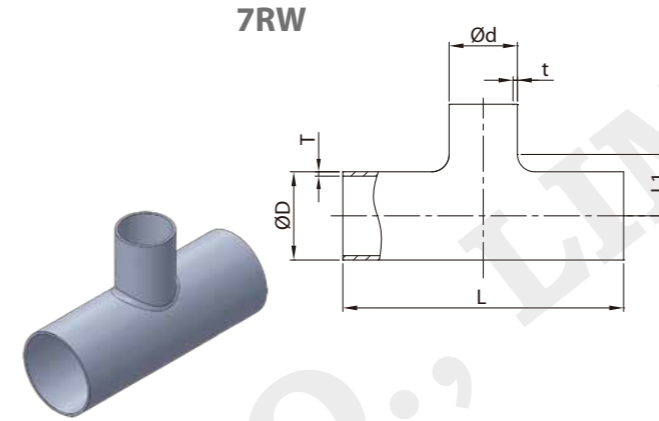
TEE & PULL TEE

SIZE	ØD	L	L1	L2	T
DN10	12/13	52	26	11	1.5
DN15	18/19	70	35	11	1.5
DN20	22/23	80	40	13	1.5
DN25	28/29	100	50	16	1.5
DN32	34/35	110	55	19.5	1.5
DN40	40/41	120	60	23	1.5
DN50	52/53	140	70	30	1.5
DN65	70	160	80	40	2
DN80	85	180	90	47.5	2
DN100	101.6	300	150	56	2
	104	200	100	58	2
DN125	129	375	187.5	74	2
DN150	154	450	225	90	2
DN200	204	600	300	115	2



DIN 7WO

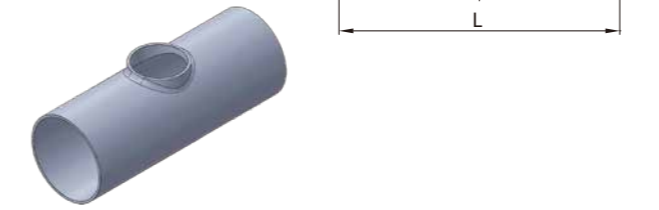
DIN Tubular Items



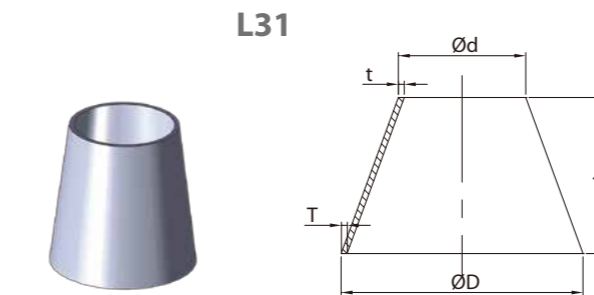
7RW

REDUCING TEE & REDUCING PULL TEE

SIZE	ØD	Ød	L	L1	L2	T	t
15*10	18/19	12/13	70	29	10.5	1.5	1.5
20*10	22/23	12/13	80	31	12.5	1.5	1.5
20*15	22/23	18/19	80	37	13	1.5	1.5
25*15	28/29	18/19	100	40	16	1.5	1.5
25*20	28/29	22/23	100	43	16	1.5	1.5
32*15	34/35	18/19	110	43	19.5	1.5	1.5
32*20	34/35	22/23	110	46	19.5	1.5	1.5
32*25	34/35	28/29	110	53	19.5	1.5	1.5
40*20	40/41	22/23	120	49	22	1.5	1.5
40*25	40/41	28/29	120	56	22.5	1.5	1.5
40*32	40/41	34/35	120	58	22	1.5	1.5
50*25	52/53	28/29	140	62	28	1.5	1.5
50*32	52/53	34/35	140	64	28.5	1.5	1.5
50*40	52/53	40/41	140	66	29	1.5	1.5
65*32	70	34/35	160	72.5	37	2	1.5
65*40	70	40/41	160	74.5	37	2	1.5
65*50	70	52/53	160	78.5	38.5	2	1.5
80*40	85	40/41	180	82	45	2	1.5
80*50	85	52/53	180	86	46	2	1.5
80*65	85	70	180	87.5	47.5	2	2
100*50	104	52/53	200	95.5	55.5	2	1.5
100*65	104	70	200	97	57	2	2
100*80	104	85	200	99.5	57	2	2
125*65	129	70	375	109.5	69.5	2	2
125*80	129	85	375	112	69.5	2	2
125*100	129	104	375	112.5	70	2	2
150*80	154	85	450	124.5	82	2	2
150*100	154	104	450	125	83	2	2
150*125	154	129	450	200	86.5	2	2
200*100	204	104	600	150	108	2	2
200*125	204	129	600	225	111.5	2	2
200*150	204	154	600	250	115	2	2



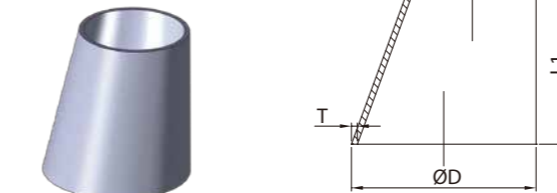
7RWO



L31

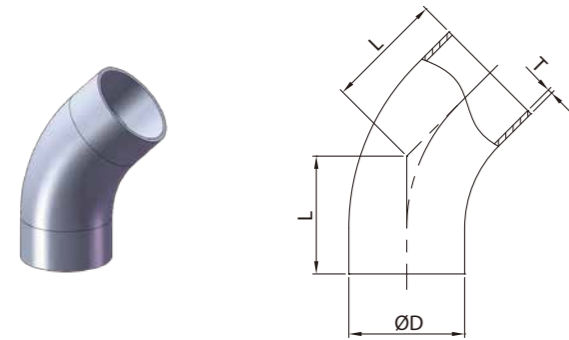
CONCENTRIC REDUCER/ECCENTRIC REDUCER

SIZE	ØD	Ød	L	L1	T	t
32*25	34/35	28/29	25	16.5	1.5	1.5
40*25	40/41	28/29	23	33	1.5	1.5
40*32	40/41	34/35	23	16.5	1.5	1.5
50*25	52/53	28/29	27	66	1.5	1.5
50*32	52/53	34/35	28	49.5	1.5	1.5
50*40	52/53	40/41	27	33	1.5	1.5
65*25	70	28/29	35	75	2	1.5
65*40	70	40/41	39	77	2	1.5
65*50	70	52/53	29	44	2	1.5
80*50	85	52/53	45	85	2	1.5
80*65	85	70	33	41.2	2	2
100*50	104	52/53	50	137.5	2	1.5
100*65	104	70	44	93.5	2	2
100*80	104	85	60	52.4	2	2



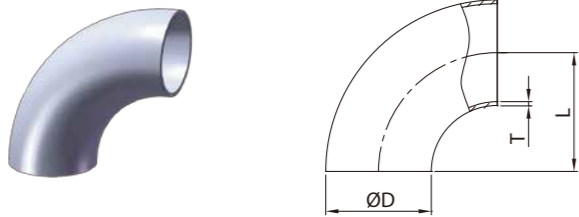
L32

BS Tubular Items



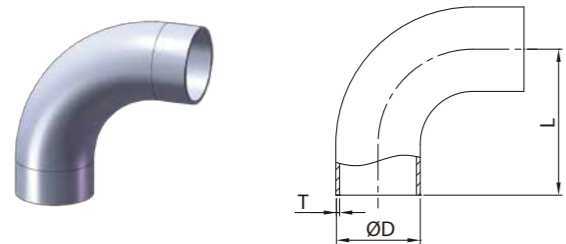
L2KS LONG 45° ELBOW

SIZE	ØD	L	T
1"	25.4	30.2	1.65
1.5"	38.1	41.3	1.65
2"	50.8	58.7	1.65
2.5"	63.5	76.2	1.65
3"	76.2	93.7	1.65
4"	101.6	122.2	2.1



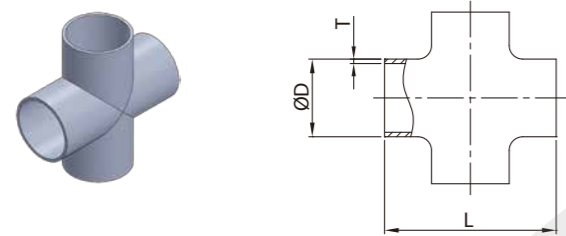
2WCL SHORT WELD 90° ELBOW

SIZE	ØD	L	T
1"	25.4	43.5	1.65
1.5"	38.1	63.5	1.65
2"	50.8	88.5	1.65
2.5"	63.5	113.5	1.65
3"	76.2	133.5	1.65
4"	101.6	173.5	2.1



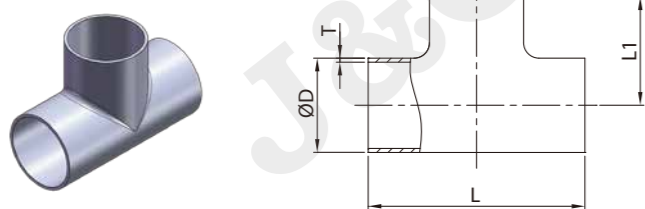
L2S LONG WELD 90° ELBOW

SIZE	ØD	L	T
1/2"	12.7	45	1.65
3/4"	19.05	60	1.65
1"	25.4	65	1.65
1.5"	38.1	85	1.65
2"	50.8	110	1.65
2.5"	63.5	135	1.65
3"	76.2	155	1.65
4"	101.6	195	2.1



9W CROSS

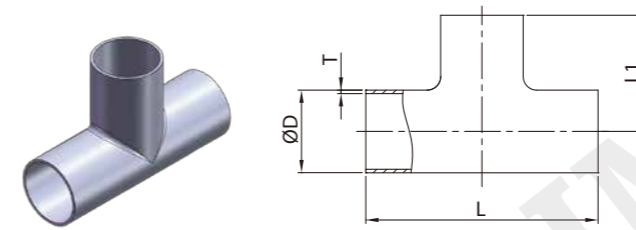
SIZE	ØD	L	T
1"	25.4	130	1.65
1.5"	38.1	170	1.65
2"	50.8	220	1.65
2.5"	63.5	270	1.65
3"	76.2	310	1.65
4"	101.6	390	2.1



7WWW SHORT TEE

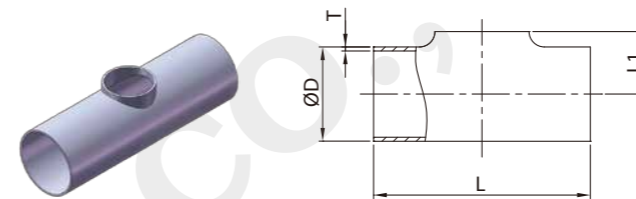
SIZE	ØD	L	L1	T
1"	25.4	87	43.5	1.65
1.5"	38.1	127	63.5	1.65
2"	50.8	177	88.5	1.65
2.5"	63.5	227	113.5	1.65
3"	76.2	267	133.5	1.65
4"	101.6	347	173.5	2.1

BS Tubular Items



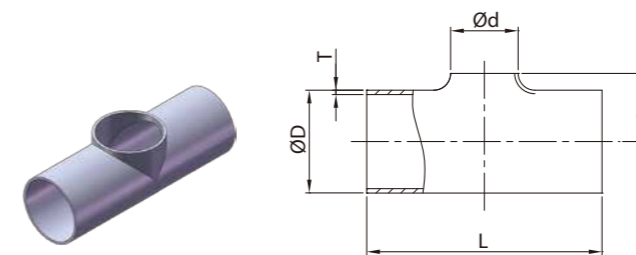
7W LONG TEE

SIZE	ØD	L	L1	T
1"	25.4	130	65	1.65
1.5"	38.1	170	85	1.65
2"	50.8	220	110	1.65
2.5"	63.5	270	135	1.65
3"	76.2	310	155	1.65
4"	101.6	390	195	2.1



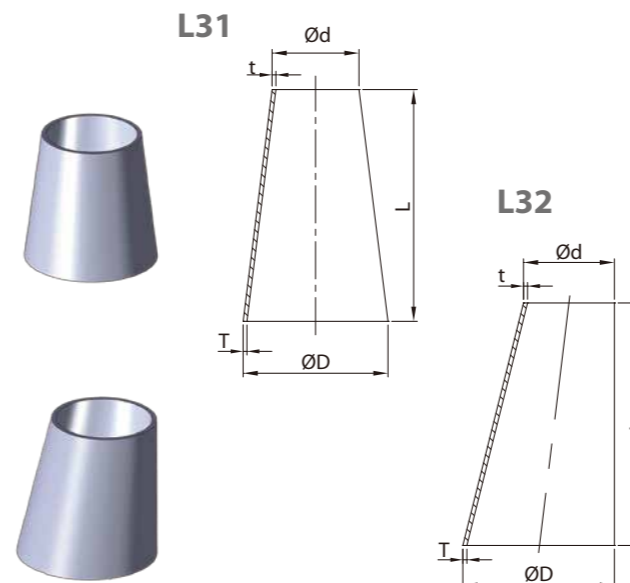
7W TWO PULL TEE

SIZE	ØD	L	L1	T
1"	25.4	87	13.8	1.65
1.5"	38.1	127	19.9	1.65
2"	50.8	177	27.6	1.65
2.5"	63.5	227	34.9	1.65
3"	76.2	267	40.9	1.65
4"	101.6	347	54.7	2.1



7RWO REDUCING PULL TEE

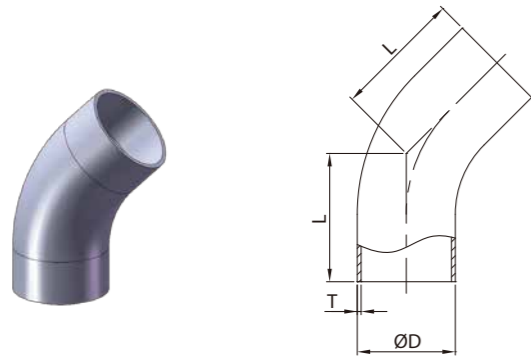
SIZE	ØD	Ød	L	L1	T
1.5"×1"	38.1	25.4	127	22	1.65
2"×1"	50.8	25.4	177	29	1.65
2"×1.5"	50.8	38.1	177	29	1.65
2.5"×1"	63.5	25.4	227	35	1.65
2.5"×1.5"	63.5	38.1	227	35	1.65
2.5"×2"	63.5	50.8	227	35	1.65
3"×1"	76.2	25.4	267	41	1.65
3"×1.5"	76.2	38.1	267	41	1.65
3"×2"	76.2	50.8	267	41	1.65
3"×2.5"	76.2	63.5	267	41	1.65
4"×2"	101.6	50.8	347	55	2.1
4"×2.5"	101.6	63.5	347	55	2.1
4"×3"	101.6	76.2	347	55	2.1



WELD REDUCERS

SIZE	ØD	Ød	L	L1	T	t
1.5"×1"	38.1	25.4	29	35	1.65	1.65
2"×1"	50.8	25.4	53	54	1.65	1.65
2"×1.5"	50.8	38.1	41	36	1.65	1.65
2.5"×1"	63.5	25.4	82	76	1.65	1.65
2.5"×1.5"	63.5	38.1	64	66	1.65	1.65
2.5"×2"	63.5	50.8	40	35	1.65	1.65
3"×1"	76.2	25.4	110	112	1.65	1.65
3"×1.5"	76.2	38.1	81	78	1.65	1.65
3"×2"	76.2	50.8	55	66	1.65	1.65
3"×2.5"	76.2	63.5	41	44	1.65	1.65
4"×1.5"	101.6	38.1	135	122	2.1	1.65
4"×2"	101.6	50.8	106	97	2.1	1.65
4"×2.5"	101.6	63.5	76	73	2.1	1.65
4"×3"	101.6	76.2	53	77	2.1	1.65

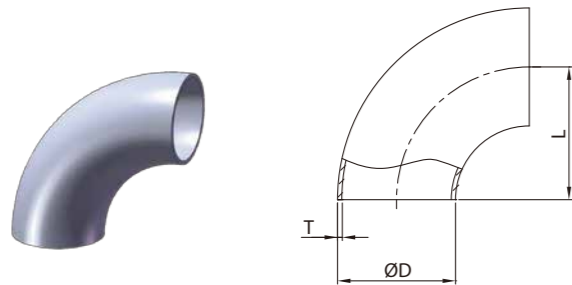
AS Tubular Items



L2KS LONG 45° ELBOW

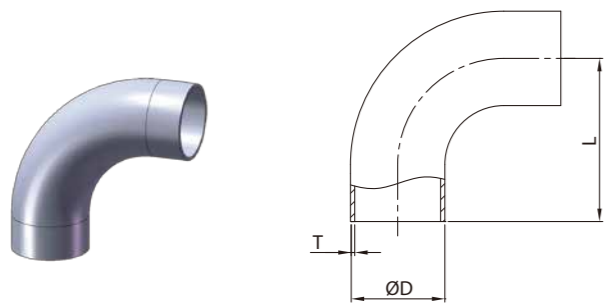
SIZE	ØD	L	T
1/2"	12.7	37.91	1.6
3/4"	19.1	41.85	1.6
1"	25.4	45.78	1.6/2
1.25"	31.8	45.78	1.6/2
1.5"	38.1	53.61	1.6/2
2"	50.8	61.56	1.6/2
2.5"	63.5	69.35	1.6/2
3"	76.2	77.3	1.6/2
4"	101.6	93.13	1.6/2

2WCL SHORT WELD 90° ELBOW



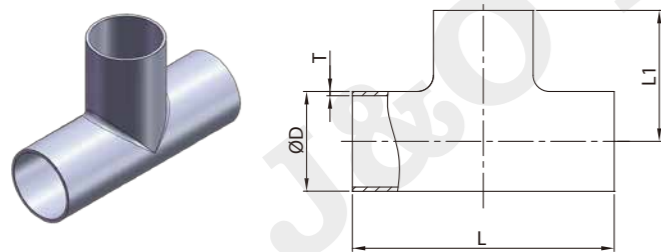
SIZE	ØD	L	T
1/2"	12.7	19.1	1.6
3/4"	19.1	28.6	1.6
1"	25.4	38.1	1.6/2
1.25"	31.8	47.7	1.6/2
1.5"	38.1	57	1.6/2
2"	50.8	76.2	1.6/2
2.5"	63.5	95	1.6/2
3"	76.2	114.2	1.6/2
4"	101.6	152.4	1.6/2

L2S LONG WELD 90° ELBOW



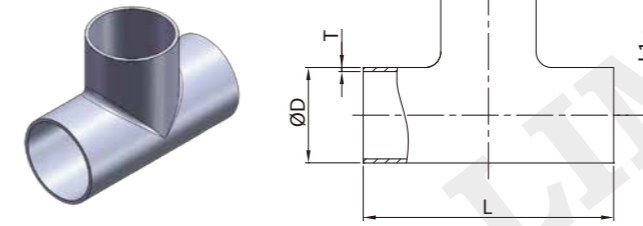
SIZE	ØD	L	T
1/2"	12.7	49.1	1.6/2
3/4"	19.1	58.6	1.6/2
1"	25.4	68.1	1.6/2
1.25"	31.8	77.7	1.6/2
1.5"	38.1	87	1.6/2
2"	50.8	106.2	1.6/2
2.5"	63.5	125	1.6/2
3"	76.2	144.2	1.6/2
4"	101.6	182.4	1.6/2

7W LONG EQUAL WELD TEE



SIZE	ØD	L	L1	T
1/2"	12.7	98.2	49.1	1.6/2
3/4"	19.1	117.2	58.6	1.6/2
1"	25.4	136.2	68.1	1.6/2
1.25"	31.8	155.4	77.7	1.6/2
1.5"	38.1	174	87	1.6/2
2"	50.8	212.4	106.2	1.6/2
2.5"	63.5	250	125	1.6/2
3"	76.2	288.4	144.2	1.6/2
4"	101.6	364.8	182.4	1.6/2

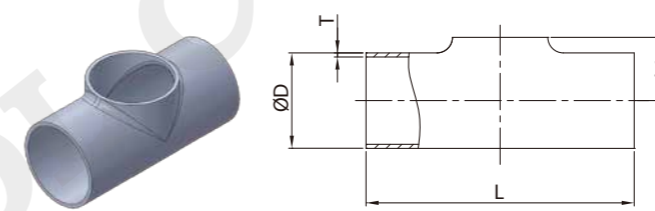
AS Tubular Items



7WWW SHORT EQUAL WELD TEE

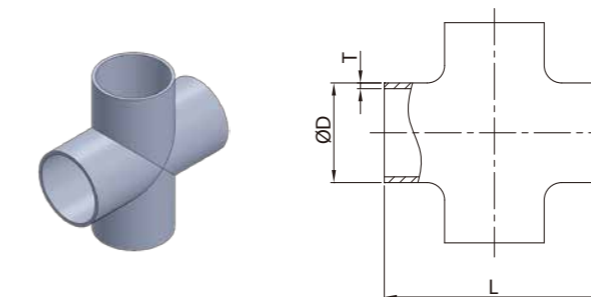
SIZE	ØD	L	L1	T
1/2"	12.7	38.2	19.1	1.6/2
3/4"	19.1	57.2	28.6	1.6/2
1"	25.4	76.2	38.1	1.6/2
1.25"	31.8	95.4	47.7	1.6/2
1.5"	38.1	114	57	1.6/2
2"	50.8	152.4	76.2	1.6/2
2.5"	63.5	190	95	1.6/2
3"	76.2	228.4	144.2	1.6/2
4"	101.6	304.8	152.4	1.6/2

7WO EQUAL TEE W/O STRAIGHT END



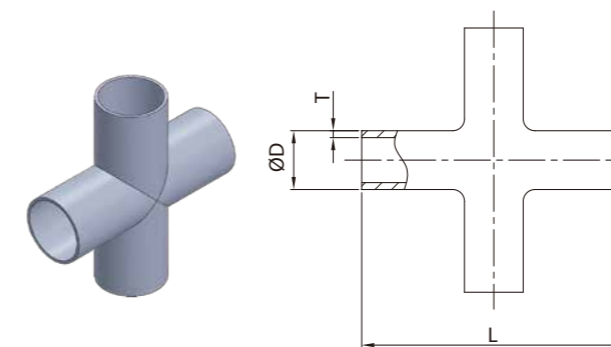
SIZE	ØD	L	L1	T
1/2"	12.7	38.2	9.35	1.6/2
3/4"	19.1	57.2	12.55	1.6/2
1"	25.4	76.2	15.7	1.6/2
1.25"	31.8	95.4	18.9	1.6/2
1.5"	38.1	114	22.05	1.6/2
2"	50.8	152.4	28.4	1.6/2
2.5"	63.5	190	34.75	1.6/2
3"	76.2	228.4	41.1	1.6/2
4"	101.6	304.8	53.8	1.6/2

9WWW SHORT CROSS WELD END



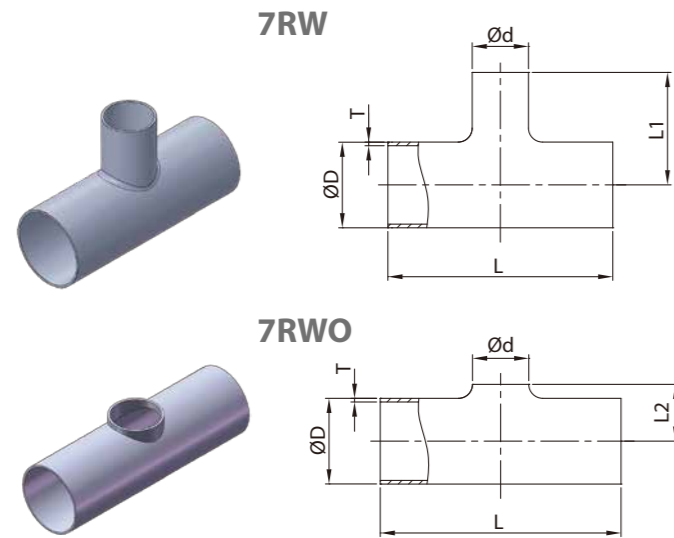
SIZE	ØD	L	T
1/2"	12.7	38.2	1.6/2
3/4"	19.1	57.2	1.6/2
1"	25.4	76.2	1.6/2
1.25"	31.8	95.4	1.6/2
1.5"	38.1	114	1.6/2
2"	50.8	152.4	1.6/2
2.5"	63.5	190	1.6/2
3"	76.2	228.4	1.6/2
4"	101.6	304.8	1.6/2

9W LONG CROSS WELD END



SIZE	ØD	L	T
1/2"	12.7	98.2	1.6/2
3/4"	19.1	117.2	1.6/2
1"	25.4	136.2	1.6/2
1.25"	31.8	155.4	1.6/2
1.5"	38.1	174	1.6/2
2"	50.8	212.4	1.6/2
2.5"	63.5	250	1.6/2
3"	76.2	288.4	1.6/2
4"	101.6	364.8	1.6/2

AS Tubular Items



REDUCING TEE/REDUCING TEE

SIZE	ØD	Ød	L	L1	L2	T
1.5"×1"	38.1	25.4	160	80	22.05	1.6/2
2"×1"	50.8	25.4	160	80	28.4	1.6/2
2"×1.5"	50.8	38.1	160	80	28.4	1.6/2
2.5"×1.5"	63.5	38.1	160	80	34.75	1.6/2
2.5"×2"	63.5	50.8	160	80	37.75	1.6/2
3"×1.5"	76.2	38.1	160	80	41.1	1.6/2
3"×2"	76.2	50.8	160	80	41.1	1.6/2
3"×2.5"	76.2	63.5	190.5	95.3	41.1	1.6/2
4"×2"	101.6	50.8	160	80	53.8	1.6/2
4"×2.5"	101.6	63.5	190.5	95.3	53.8	1.6/2
4"×3"	101.6	76.2	228.6	114.3	53.8	1.6/2

CONCENTRIC REDUCER/ECCENTRIC REDUCER

SIZE	ØD	Ød	L	T	t
3/4"×1/2"	19.1	12.7	19.1	1.6/2	1.6
1×1/2"	25.4	12.7	25.4	1.6/2	1.6
1"×3/4"	25.4	19.1	25.4	1.6/2	1.6
1.25"×3/4"	31.8	19.1	31.8	1.6/2	1.6
1.25"×1"	31.8	25.4	31.8	1.6/2	1.6/2
1.5"×3/4"	38.1	19.1	38.1	1.6/2	1.6
1.5"×1"	38.1	25.4	38.1	1.6/2	1.6/2
1.5"×1.25"	38.1	31.8	38.1	1.6/2	1.6/2
2"×1/2"	50.8	12.7	50.8	1.6/2	1.6
2"×3/4"	50.8	19.1	50.8	1.6/2	1.6
2"×1"	50.8	25.4	50.8	1.6/2	1.6/2
2"×1.25"	50.8	31.8	50.8	1.6/2	1.6/2
2"×1.5"	50.8	38.1	50.8	1.6/2	1.6/2
2.5"×1"	63.5	25.4	63.5	1.6/2	1.6/2
2.5"×1.25"	63.5	31.8	63.5	1.6/2	1.6/2
2.5"×1.5"	63.5	38.1	63.5	1.6/2	1.6/2
2.5"×2"	63.5	50.8	63.5	1.6/2	1.6/2
3"×1"	76.2	25.4	76.2	1.6/2	1.6/2
3"×1.25"	76.2	31.8	76.2	1.6/2	1.6/2
3"×1.5"	76.2	38.1	76.2	1.6/2	1.6/2
3"×2"	76.2	50.8	76.2	1.6/2	1.6/2
3"×2.5"	76.2	63.5	76.2	1.6/2	1.6/2
4"×1"	101.6	25.4	101.6	1.6/2	1.6/2
4"×1.25"	101.6	31.8	101.6	1.6/2	1.6/2
4"×1.5"	101.6	38.1	101.6	1.6/2	1.6/2
4"×2"	101.6	50.8	101.6	1.6/2	1.6/2
4"×2.5"	101.6	63.5	101.6	1.6/2	1.6/2
4"×3"	101.6	76.2	101.6	1.6/2	1.6/2
5"×2"	127	50.8	127	1.6/2	1.6/2
5"×3"	127	76.2	127	1.6/2	1.6/2
5"×4"	127	101.6	127	1.6/2	1.6/2
6"×2"	152.4	50.8	152.4	1.6/2	1.6/2
6"×2.5"	152.4	63.5	152.4	1.6/2	1.6/2
6"×3"	152.4	76.2	152.4	1.6/2	1.6/2
6"×4"	152.4	101.6	152.4	1.6/2	1.6/2
6"×5"	152.4	127	152.4	1.6/2	1.6/2

