

3PC Ball Valve Encapsulated/ Half Cavity



**3PC Encapsulated Ball
Valve With ISO Mounting Pad**

Applications:

It is applied in food , beverage, wine, pharmaceutical and chemical industries.

Design Features:

- The design of encapsulated seat with no retention and high cleanliness meets the requirements of CIP SIP sterilization and cleaning.

Working temperature: -40°C ~+ 150°C

Working pressure:0-10 bar.

- Available with a variety of actuators,such as electric actuator, stainless steel vertical pneumatic actuator,horizontal pneumatic actuator and can also be equipped with control unit,positioner,position sensor and other compatible automatic control systems.

- The valve body can be changed with different connections, the length will not change.

- Connection: clamp, weld, thread, flange

- Material of the part in contact with medium is 304/316L, other part is 304.

- Sealing material: PTFE, conforming to FDA117.2600

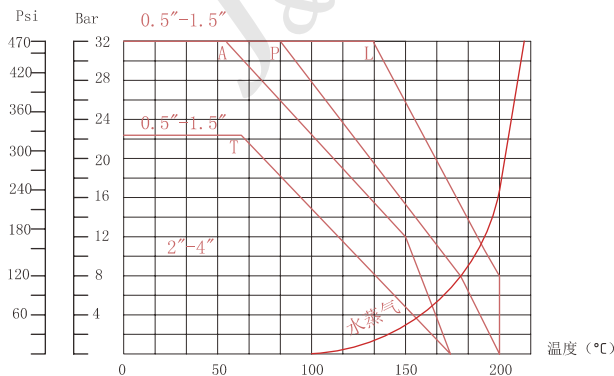
- Size:1/2" -6"/DN15-DN150

- Standards: 3A, DIN, SMS, IDF, RJT, BPE, ISO

Ball Valve Flow Coefficient KV Value

Size	15	20	25	32	40	50	65	80	100	125
KV Value	21	38	72	112	170	273	384	512	940	1452

Pressure And Temperature Curve



T: PTFE
P: C+PTFE
A: PTFE (TFM)
L: PTFE (Virgin peek@)

Note: test under water

Torque 3PC Ball Valve

Size	1/2"-3/4"	1"/DN25	1.25"/DN40	1.5"/DN40	2"/DN50	2.5"/DN65	3"	DN80	4"/DN100
Torque N.M	6-10	10-15	10-15	15-25	20-30	30-45	40-50	40-50	60-70

Add 20% safety torque when use Actuator

Sanitary Stainless Steel Ball Valve

J&O FLUID CONTROL CO., LIMITED

J&O®

09

Sanitary Stainless Steel Ball Valve



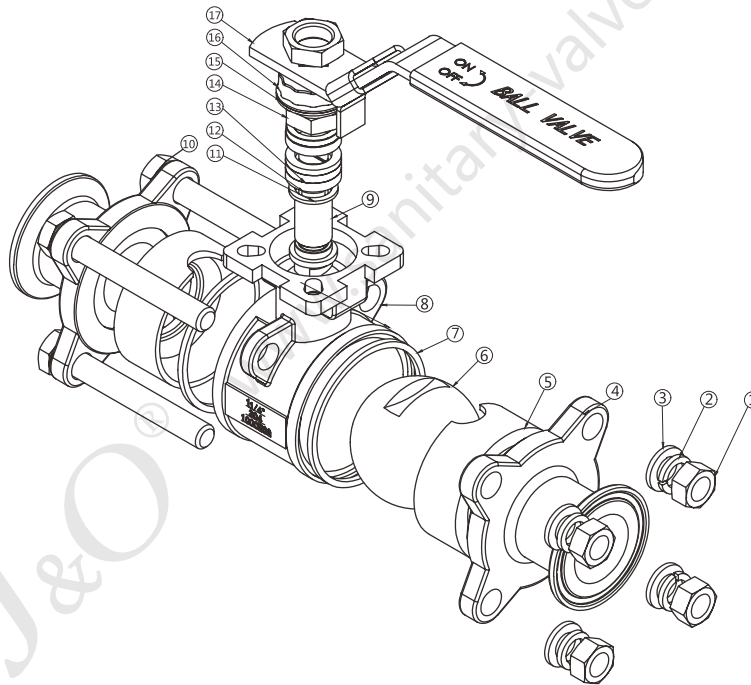
Weld End



Tri-Clamp End



Male End



NO	Description	NO	Description
01	Hex Nut	10	Bolt
02	Bolt Elastic Washer	11	Stem Seal
03	Bolt Washer	12	O-Ring
04	Valve End	13	Stem Packing
05	Valve Seat	14	Hex Nut
06	Ball	15	Gland Ring
07	Body Seal	16	Backstop Pad
08	Valve Body	17	Handle
09	Stem		

Sanitary Stainless Steel Ball Valve

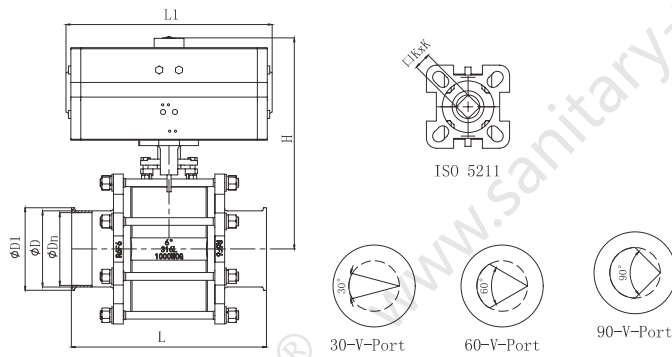
J&O FLUID CONTROL CO., LIMITED



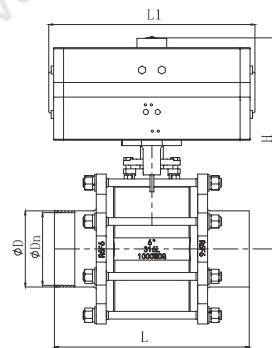
Tri-Clamp Pneumatic 3PC Encapsulated Ball Valve



Clamped Electric 3PC Encapsulated Ball Valve



JOV-BHPA2008E-22



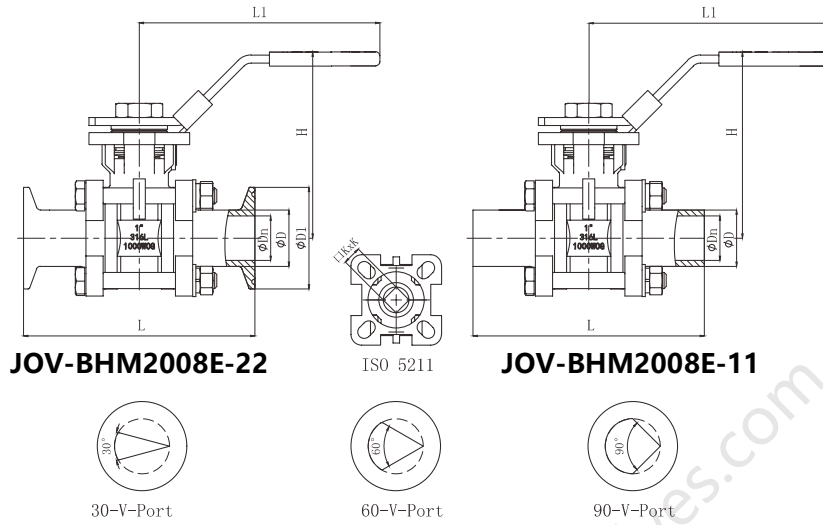
JOV-BHPA2008E-11

Pneumatic 3PC Encapsulated Ball Valve Weld/Clamp End

Double Action	Size	ØDn	ØD	ØD1	L	L1	H	□ K×K
AT052	1/2"	9.4	12.7	25.2	90	155	125	9×9
	3/4"	15.8	19.1	25.2	102	155	131.5	9×9
	1"	22.1	25.4	50.5	115	155	141.5	11×11
AT063	1.25"	28.5	31.8	50.5	125	168	178	11×11
	1.5"	34.8	38.1	50.5	138	168	177.5	14×14
AT075	2"	47.5	50.8	64	156	219	202	14×14
AT095	2.5"	60.2	63.5	77.5	170	249	230	14×14
AT105	3"	72.9	76.2	91	197	274	258	17×17
AT115	4"	97.4	101.6	119	242	315	292.5	17×17
AT125	6"	146.9	152.4	167	394	355	406.5	27×27

Sanitary Stainless Steel Ball Valve

J&O FLUID CONTROL CO., LIMITED



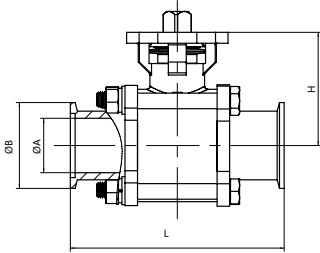
Manual 3PC Encapsulated/Half-Pack Ball Valve (Weld/Clamp)

Size	ØDn	ØD	ØD1	L	L	H	□ K×k
1/2"	9.4	12.7	25.2	90	130	62	9×9
3/4"	15.8	19.1	25.2	102	130	68	9×9
1.0"	22.1	25.4	50.5	115	170	89	11×11
1.25"	28.5	31.8	50.5	125	170	89	11×11
1.5"	34.8	38.1	50.5	138	215	115	14×14
2.0"	47.5	50.8	64	156	215	121	14×14
2.5"	60.2	63.5	77.5	170	215	138	14×14
3.0"	72.9	76.2	91	197	325	155	17×17
4.0"	97.4	101.6	119	242	325	167	17×17
6.0"	146.9	152.4	167	394	680	248	27×27

Size	ØDn	ØD	ØD1	L	L1	H	□ K×k
DN15	15	18	34	90	130	65	9×9
DN20	19	22	34	102	130	69	9×9
DN25	25	28	50.5	115	170	92	11×11
DN32	31	34	50.5	125	170	99	11×11
DN40	37	40	50.5	138	173	118	14×14
DN50	49	52	64	156	173	125	14×14
DN65	66	70	91	170	223	142	14×14
DN80	81	85	106	197	335	153	17×17
DN100	100	104	119	242	335	169	17×17
DN125	125	129	144.5	318	570	205	27×27
DN150	150	154	183	394	680	267	27×27

Sanitary Stainless Steel Ball Valve

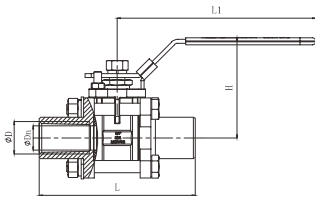
J&O FLUID CONTROL CO., LIMITED



JOV-BH2008E-VC

3PC Vacuum Ball Valve with ISO Mounting Pad

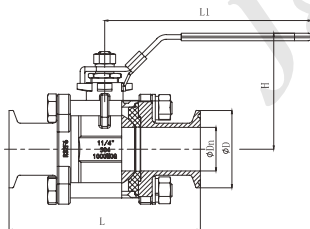
Size	ØA	ØB	L	H
KF10	9.4	30	90	36
KF16	15.8	30	102	42.5
KF25	22.1	40	115	52.5
KF40	34.8	55	138	72.5
KF50	47.5	75	156	79.5



JOV-BHM2006-33N

3PC Manual Ball Valve Female End

Size	ØDn	ØD	L	L1	H
3/8"	12	BSPT3/8	64	105	56
1/2"	15	BSPT1/2	69	105	56
3/4"	20	BSPT3/4	79	105	62
1.0"	25	BSPT1	90	114	68.5
1.25"	32	BSPT1.25	104	131	76.5
1.5"	38	BSPT1.5	115	169	93
2.0"	50	BSPT2	135	169	99.5



JOV-BHM2007S-22

Three-piece Half-Cavity Manual Ball Valve (Korean Style)

Size	ØDN	ØD	H	L	L1
1/2"	9.4	25.2/50.5	56	90	105
3/4"	15.8	25.2/50.5	60	102	105
1.0"	22.1	50.5	66	110	135
1.5"	34.8	50.5	88	140	170
2.0"	47.5	64	95	164	170
2.5"	60.2	77.5	131	210	210
3.0"	72.9	91	143	220	223
4.0"	97.4	119	164	242	320