

# J&O<sup>®</sup>

J&O FLUID CONTROL CO., LIMITED

## Angle Seat Valve

# J&O<sup>®</sup>

J&O FLUID CONTROL CO., LIMITED

Address: Binhai ETDZ, 5 Road, Longwan, Wenzhou, China. 325000

Tel: +86 577 8663 2750

Fax: +86 577 8663 2850

Mob./WhatsApp: +86 186 5778 5727

Site: [www.sanitary-valves.com](http://www.sanitary-valves.com)

Email: [Info@jo-pv.com](mailto:Info@jo-pv.com)

With more than 15 years of market experiences, we have become the leading supplier service for pharmaceutical, chemical, food, Beverage and Lithium battery companies

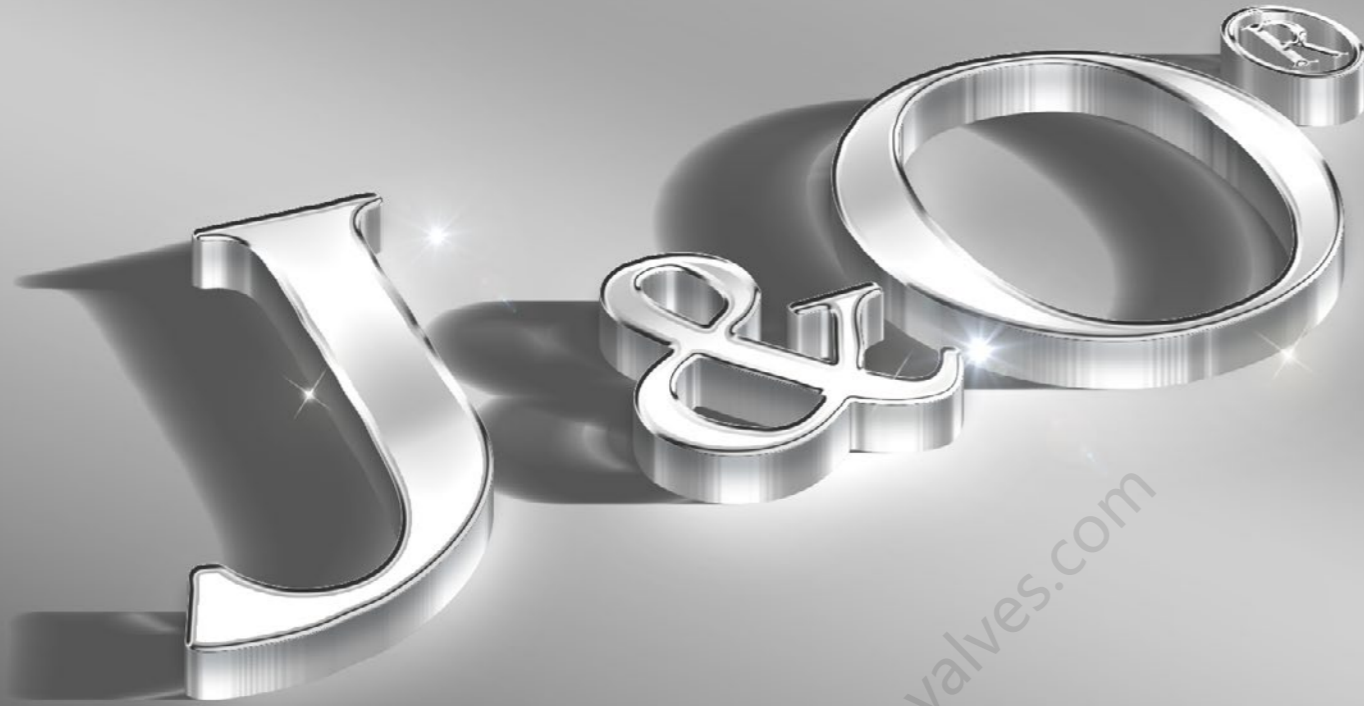


Site Code



WhatsApp Code

J&O BRAND, RELIABLE QUALITY FOR YOU  
CE&ISO 9001:2015 CERTIFIED ACQUIRED  
15 YEARS FLUID SOLUTION EXPERIENCES  
EXPORTING TO OVER 40 COUNTRIES  
EXCELLENT VALUE-ADDED SERVICE.



We focus on Details  
We Make Different  
J&O Brand,that can be trust.

## J&O PROFILE

J&O Fluid Control Co., Limited established in 2008, a leading Manufacturer and Supplier of high quality hygienic stainless steel flow control equipments.

J&O services the Food, Dairy, Beverage, Cosmetic, Pharmaceutical, Biological engineering, Lithium battery, Semiconductor, Water treatment, Petroleum and Chemical industries.

J&O product series consists of sanitary stainless steel Valves & Fittings:

- >>Sanitary Stainless Steel Pumps
- >>Sanitary Stainless Steel Valves
- >>Stainless Steel Tank Accessories
- >>Stainless Steel Pipe Fittings
- >>Stainless Steel Flanges
- >>Stainless Steel Double Ferrule Tube Fittings
- >>Hydraulic Pneumatic Quick Coupling
- >>Carbon Steel Pipe Fittings
- >>Customized Valve and Fittings

Through the years, "Perfection" has been the only goal we pursue. In order to satisfy customers, with continuous efforts, we are working towards perfection through a Quality Assurance System. With persistence and effort, we have become one of the leading enterprises of sanitary valves and pipe fittings in China.

Our organization is dedicated to provide our customers with best service of every aspect. We strongly believe, that the friendship and trust given by our customers, is the great treasure we have.

**J&O<sup>®</sup>**  
J&O FLUID CONTROL CO., LIMITED

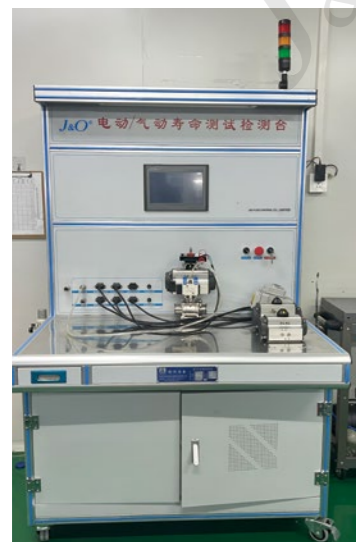
# Certificate



# Plant & Producing



# Testing Machine



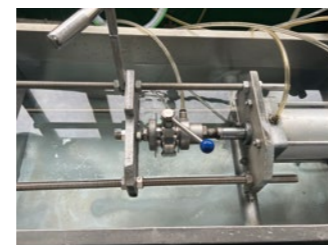
Actuator Testing



Helium Leak Detector



Pressure Test for Large Valve



Pressure Test for Small Valve

## Angle Seat Valve



# Angle Seat Valve

Our Core Values: Team, Details, Altruism, Innovation and Embrace Change.

### Features

- Large flow, low resistance, no water hammer
- Y type shape enlarge the flow section, which can raise flow rate by 30% Long service life
- Self adjusting seat, self lubricant, and maintenance-free
- Stainless steel or PA material actuator can tolerate harsh working environment
- Universal assemble position for 360° rotation

### Application

- Beer & Drinks Filling Machinery
- Pharmaceutic and Medical Equipment Water & Sewage Treatment Equipment
- Textile Printing, Frothing Equipment
- Chemical Industry, High Temp, Sterilization Gas Industry



### Technical Data

|                      |   |
|----------------------|---|
| Fluid Pressure       | 0~1.6MPa  |
| Control Pressure     | 0.3~0.8MPa  |
| Control Fluid        | Neutral-gas,Air   |
| Body Material        | CF8/304、CF8M/316  |
| Sealing Material     | PTFE  |
| Actuator Material    | CF8/304、Polyamide PA,Aluminum   |
| Fluid Temperature    | 20°C ~+180°C , -20° C~+220°C , -20°C ~+260°C                                    |
| Ambient Temperature  | -20°C ~80°C   |
| Fluid Viscosity      | ≤ 600mm <sup>2</sup> /s   |
| Control Type         | NC,NO,Double acting,Manual Type   |
| Connection           | Screw Ends,Welding Ends,Tri-clamp,Flang   |
| Applicable Fluid     | Water,Alcohol,Oil,Fuel,Steam,Neutral gas or liquid,Organic solvent,Acid and lye |
| Optional Accessories | Proximity Switch solenoid Valve Manual Travel Limit                             |

## Y Type Proportional Modulating Valve



### Features

- Stainless Steel Body Design
- Electrical Water proof
- Connector With LCD Display
- Fast and Easy Start up
- Additional Function

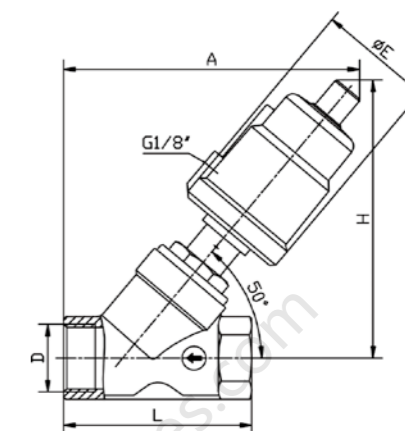


### Introduction

Intelligent Positioner is especially designed for pneumatic control valve and quite suitable for angle seat valves and diaphragm valves, among which 1401 is equipped with process control function, while 1400 is not. The product has advantages of easy operation, rich software-functions, which can easily be operated by liquid crystal panel and buttons. Also, it can reduce energy consumption to a large extent through the position sensor.

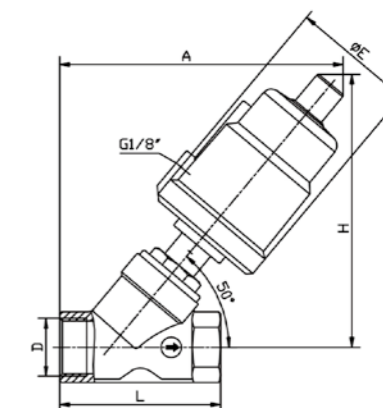
|                                     |   |
|-------------------------------------|---|
| Material                            | PC, PA, Stainless Steel, Silicone Rubber  |
| Power                               | Direct-current 24V +/- 10%  |
| Input Signal                        | 4~20mA or 0~5/10V   |
| Nominal Signal Input Impedance      | 4~20mA Signal at 240Ω 0~5/10V signal at 21Ω   |
| Compressed air requirement          | Neutral gas, comply with the requirements of DIN ISO 8573-1   |
| Particle size requirement           | Class 5 (<40μm)   |
| Particle density requirement        | Class 5 (<10mg/m <sup>3</sup> )   |
| Pour point requirement              | Class 3 (<-20°C)  |
| Oil concentration requirement       | Class 5 (<25mg/m <sup>3</sup> )   |
| Ambient Temperature                 | -20~55°C  |
| Gas Connector                       | In-line quick connector (Inner Diameter Ø8mm.6mm or 1/4")   |
| Electric/Pneumatic quick connector  | M13x1.0 Three Pin (Cable Diameter Φ5mm)<br>M17x 1.0 Nine Pin (Cable Diameter Φ6mm)<br>M13x 1.0 Four Pin (Cable Diameter Φ5mm) |
| Air Pressure                        | Higher than the minimum operating pressure actuator 0.5~1.0 bar, Max 7.0bar   |
| Position Sensing Stroke/Stem Stroke | 5~50mm  |
| Operation                           | Tend to be installed on the top of the actuator and connected by M26 screw.   |
| Protection Class                    | IP65, comply with the requirements of EN60529   |
| Power Consumption                   | <5W   |

## Sanitary Pneumatic Threaded Angle Seat Valve with Stainless Steel Actuator



JOV-ASPSAB-33N

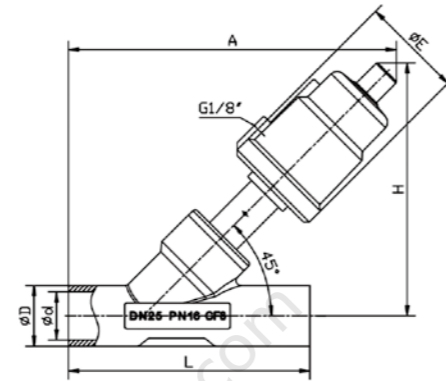
| Model | L   | A   | H   | D      | E   | Actuator |
|-------|-----|-----|-----|--------|-----|----------|
| DN15  | 68  | 133 | 129 | 1/2"   | 62  | Φ50      |
| DN20  | 75  | 137 | 131 | 3/4"   | 62  | Φ50      |
| DN25  | 90  | 149 | 138 | 1"     | 62  | Φ50      |
| DN32  | 115 | 188 | 177 | 1-1/4" | 76  | Φ63      |
| DN40  | 115 | 188 | 179 | 1-1/2" | 76  | Φ63      |
| DN50  | 135 | 202 | 189 | 2"     | 76  | Φ63      |
| DN65  | 185 | 282 | 240 | 2-1/2" | 96  | Φ80      |
| DN80  | 200 | 328 | 280 | 3"     | 114 | Φ100     |



JOV-ASPSBL-33N

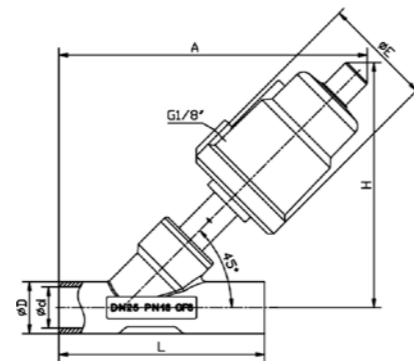
| Model | L   | A   | H   | D      | E   | Actuator |
|-------|-----|-----|-----|--------|-----|----------|
| DN15  | 68  | 133 | 129 | 1/2"   | 62  | Φ50      |
| DN20  | 75  | 137 | 131 | 3/4"   | 62  | Φ50      |
| DN25  | 90  | 169 | 160 | 1"     | 76  | Φ63      |
| DN32  | 115 | 208 | 195 | 1-1/4" | 96  | Φ80      |
| DN40  | 115 | 208 | 200 | 1-1/2" | 96  | Φ80      |
| DN50  | 135 | 235 | 225 | 2"     | 114 | Φ100     |

### Sanitary Pneumatic Welded Angle Seat Valve with Stainless Steel Actuator



JOV-ASPSAB-11

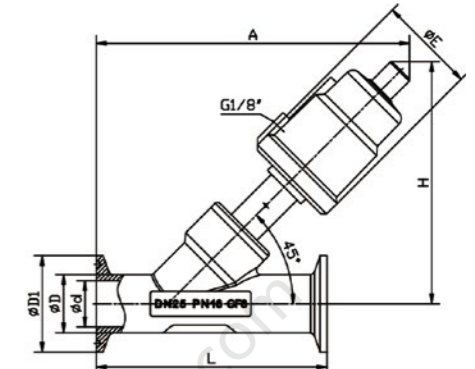
| Model | L   | A   | H   | d    | D    | E   | Actuator |
|-------|-----|-----|-----|------|------|-----|----------|
| DN15  | 100 | 177 | 138 | 15   | 21.5 | 62  | Φ50      |
| DN20  | 120 | 184 | 145 | 21.5 | 26.5 | 62  | Φ50      |
| DN25  | 140 | 192 | 158 | 28.5 | 32.5 | 62  | Φ50      |
| DN32  | 155 | 245 | 182 | 35   | 41   | 76  | Φ63      |
| DN40  | 170 | 257 | 188 | 38   | 45   | 76  | Φ63      |
| DN50  | 190 | 272 | 195 | 48   | 56   | 76  | Φ63      |
| DN63  | 200 | 290 | 215 | 58   | 64   | 76  | Φ63      |
| DN65  | 200 | 320 | 290 | 68   | 77   | 96  | Φ80      |
| DN80  | 220 | 365 | 320 | 82   | 92   | 114 | Φ100     |



JOV-ASPSBL-11

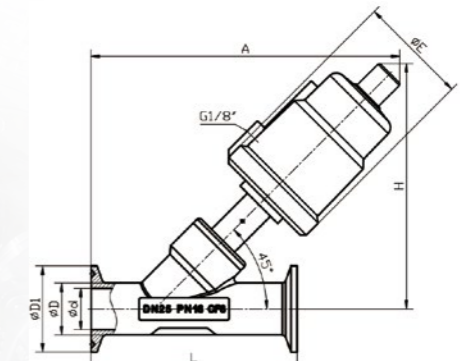
| Model | L   | A   | H   | d    | D    | E   | Actuator |
|-------|-----|-----|-----|------|------|-----|----------|
| DN15  | 100 | 177 | 138 | 15   | 21.5 | 62  | Φ50      |
| DN20  | 120 | 184 | 145 | 21.5 | 26.5 | 62  | Φ50      |
| DN25  | 140 | 224 | 176 | 28.5 | 32.5 | 76  | Φ63      |
| DN32  | 155 | 275 | 212 | 35   | 41   | 96  | Φ80      |
| DN40  | 170 | 282 | 220 | 38   | 45   | 96  | Φ80      |
| DN50  | 190 | 320 | 265 | 48   | 56   | 114 | Φ100     |
| DN63  | 200 | 360 | 290 | 58   | 64   | 114 | Φ100     |

### Sanitary Pneumatic Tri-clamp Angle Seat Valve with Stainless Steel Actuator



JOV-ASPSAB-22

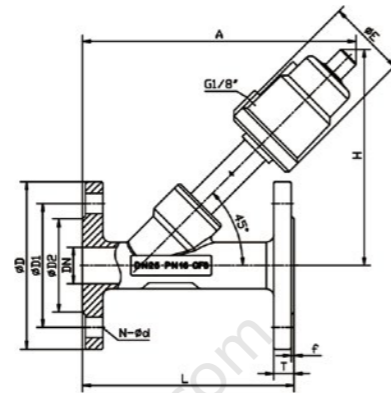
| Model | L   | A   | H   | d  | D  | D1   | E   | Actuator |
|-------|-----|-----|-----|----|----|------|-----|----------|
| DN15  | 120 | 188 | 142 | 15 | 21 | 50.5 | 62  | Φ50      |
| DN20  | 140 | 198 | 143 | 20 | 25 | 50.5 | 62  | Φ50      |
| DN25  | 160 | 208 | 160 | 25 | 33 | 50.5 | 62  | Φ50      |
| DN32  | 175 | 250 | 182 | 35 | 41 | 50.5 | 76  | Φ63      |
| DN40  | 190 | 265 | 186 | 38 | 45 | 50.5 | 76  | Φ63      |
| DN50  | 210 | 285 | 195 | 49 | 56 | 64   | 76  | Φ63      |
| DN63  | 210 | 285 | 200 | 58 | 64 | 77.5 | 76  | Φ63      |
| DN63  | 225 | 320 | 300 | 68 | 77 | 91   | 96  | Φ80      |
| DN80  | 225 | 320 | 360 | 80 | 92 | 106  | 114 | Φ100     |



JOV-ASPSBL-22

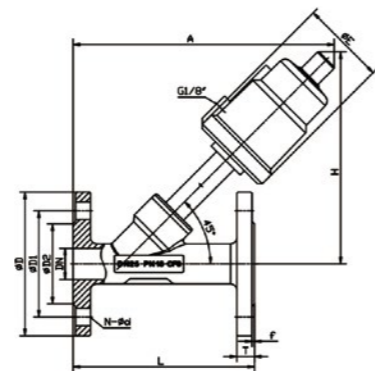
| Model | L   | A   | H   | d  | D  | D1   | E   | Actuator |
|-------|-----|-----|-----|----|----|------|-----|----------|
| DN15  | 120 | 188 | 142 | 15 | 21 | 50.5 | 62  | Φ50      |
| DN20  | 140 | 198 | 143 | 20 | 25 | 50.5 | 62  | Φ50      |
| DN25  | 160 | 243 | 182 | 25 | 33 | 50.5 | 76  | Φ63      |
| DN32  | 175 | 270 | 200 | 35 | 40 | 50.5 | 96  | Φ80      |
| DN40  | 190 | 285 | 205 | 38 | 45 | 50.5 | 96  | Φ80      |
| DN50  | 210 | 325 | 245 | 48 | 56 | 64   | 114 | Φ100     |
| DN63  | 210 | 350 | 320 | 58 | 64 | 77.5 | 114 | Φ100     |

## Sanitary Pneumatic Pneumatic Flange Angle Seat Valve with Stainless Steel Actuator



JOV-ASPSAB-44

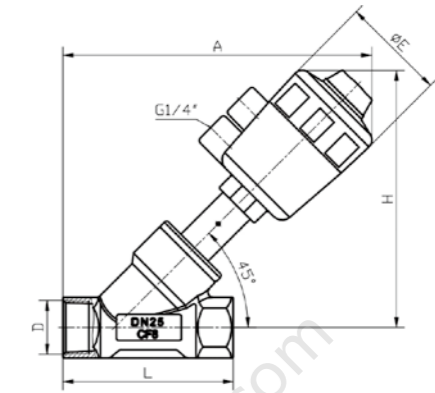
| Model | L   | A   | H   | D   | D1  | D2  | T  | f | N-Φd  | E   | Actuator |
|-------|-----|-----|-----|-----|-----|-----|----|---|-------|-----|----------|
| DN15  | 120 | 185 | 145 | 95  | 65  | 40  | 14 | 2 | 4-Φ14 | 62  | Φ50      |
| DN20  | 130 | 188 | 155 | 105 | 75  | 50  | 14 | 2 | 4-Φ14 | 62  | Φ50      |
| DN25  | 140 | 198 | 158 | 115 | 85  | 60  | 14 | 2 | 4-Φ14 | 62  | Φ50      |
| DN32  | 150 | 225 | 195 | 135 | 100 | 70  | 16 | 2 | 4-Φ18 | 76  | Φ63      |
| DN40  | 180 | 240 | 205 | 145 | 110 | 80  | 16 | 2 | 4-Φ18 | 76  | Φ63      |
| DN50  | 195 | 255 | 208 | 160 | 125 | 92  | 16 | 2 | 4-Φ18 | 76  | Φ63      |
| DN62  | 230 | 330 | 260 | 185 | 145 | 115 | 18 | 2 | 4-Φ18 | 96  | Φ80      |
| DN80  | 250 | 380 | 290 | 195 | 160 | 130 | 18 | 2 | 8-Φ18 | 114 | Φ100     |



JOV-ASPSBL-44

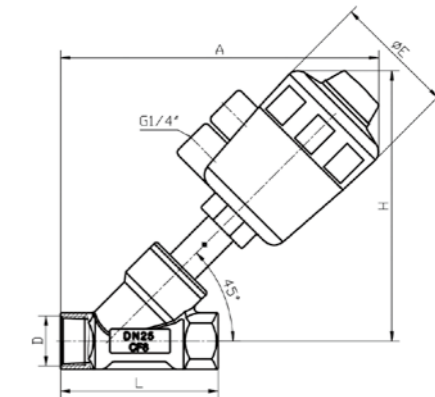
| Model | L   | A   | H   | D   | D1  | D2 | T  | f | N-Φd  | E   | Actuator |
|-------|-----|-----|-----|-----|-----|----|----|---|-------|-----|----------|
| DN15  | 120 | 185 | 145 | 95  | 65  | 40 | 14 | 2 | 4-Φ14 | 62  | Φ50      |
| DN20  | 130 | 188 | 155 | 105 | 75  | 50 | 14 | 2 | 4-Φ14 | 62  | Φ50      |
| DN25  | 140 | 242 | 218 | 115 | 85  | 60 | 14 | 2 | 4-Φ14 | 76  | Φ63      |
| DN32  | 150 | 285 | 235 | 135 | 100 | 70 | 16 | 2 | 4-Φ18 | 96  | Φ80      |
| DN40  | 180 | 310 | 255 | 145 | 110 | 80 | 16 | 2 | 4-Φ18 | 96  | Φ80      |
| DN50  | 195 | 355 | 308 | 160 | 125 | 92 | 16 | 2 | 4-Φ18 | 114 | Φ100     |

## Sanitary Pneumatic Threaded Angle Seat Valve with Plastic Actuator



JOV-ASPSBL-44

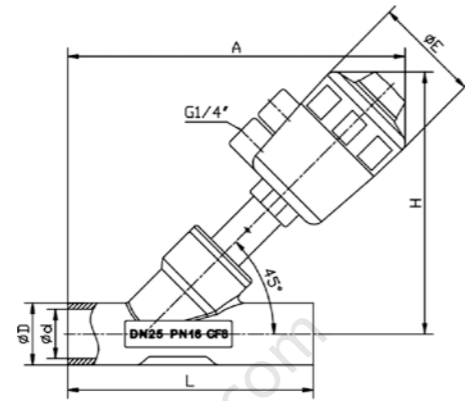
| Model | L   | A   | H   | D      | E   | Actuator |
|-------|-----|-----|-----|--------|-----|----------|
| DN10  | 65  | 155 | 120 | 3/8"   | 64  | Φ50      |
| DN15  | 85  | 163 | 141 | 1/2"   | 64  | Φ50      |
| DN20  | 95  | 180 | 145 | 3/4"   | 64  | Φ50      |
| DN25  | 105 | 184 | 151 | 1"     | 64  | Φ50      |
| DN32  | 120 | 225 | 183 | 1-1/4" | 80  | Φ63      |
| DN40  | 130 | 237 | 188 | 1-1/2" | 80  | Φ63      |
| DN50  | 150 | 267 | 217 | 2"     | 100 | Φ80      |
| DN65  | 185 | 282 | 298 | 2-1/2" | 126 | Φ100     |
| DN80  | 220 | 362 | 302 | 3"     | 126 | Φ100     |



JOV-ASPPBL-33N

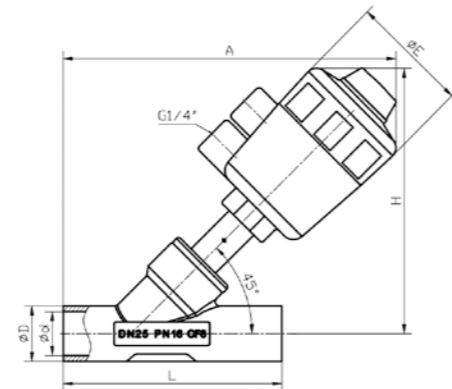
| Model | L   | A   | H   | D      | E   | Actuator |
|-------|-----|-----|-----|--------|-----|----------|
| DN10  | 65  | 155 | 120 | 3/8"   | 64  | Φ50      |
| DN15  | 85  | 163 | 141 | 1/2"   | 64  | Φ50      |
| DN20  | 95  | 180 | 145 | 3/4"   | 64  | Φ50      |
| DN25  | 105 | 212 | 173 | 1"     | 80  | Φ63      |
| DN32  | 120 | 255 | 210 | 1-1/4" | 100 | Φ80      |
| DN40  | 130 | 260 | 220 | 1-1/2" | 100 | Φ80      |
| DN50  | 150 | 270 | 285 | 2"     | 126 | Φ100     |
| DN65  | 185 | 350 | 300 | 2-1/2" | 168 | Φ125AI   |
| DN80  | 220 | 380 | 330 | 3"     | 220 | Φ160AI   |

### Sanitary Pneumatic Welded Angle Seat Valve with Plastic Actuator



JOV-ASPPAB-11

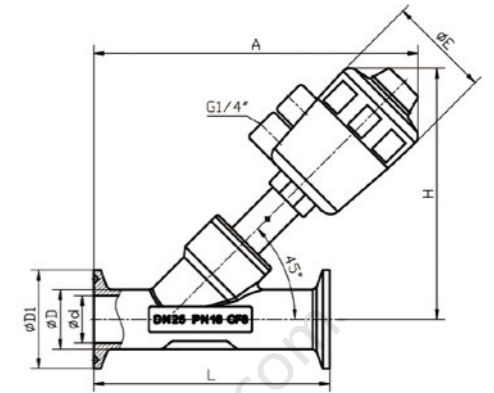
| Model | L   | A   | H   | d    | D    | E   | Actuator |
|-------|-----|-----|-----|------|------|-----|----------|
| DN10  | 100 | 177 | 138 | 15   | 21.5 | 64  | Φ50      |
| DN15  | 120 | 184 | 145 | 21.5 | 26.5 | 64  | Φ50      |
| DN20  | 140 | 224 | 176 | 28.5 | 32.5 | 80  | Φ63      |
| DN25  | 155 | 250 | 182 | 35   | 41   | 80  | Φ63      |
| DN32  | 170 | 257 | 188 | 38   | 45   | 80  | Φ63      |
| DN40  | 190 | 290 | 220 | 48   | 56   | 100 | Φ80      |
| DN50  | 200 | 325 | 350 | 58   | 64   | 100 | Φ80      |
| DN65  | 200 | 375 | 365 | 68   | 77   | 126 | Φ100     |
| DN80  | 220 | 385 | 380 | 82   | 92   | 126 | Φ100     |



JOV-ASPPBL-11

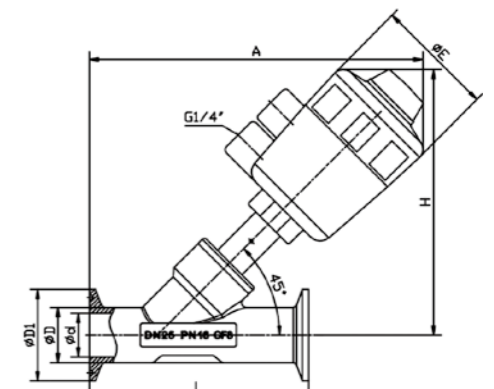
| Model | L   | A   | H   | d    | D    | E   | Actuator |
|-------|-----|-----|-----|------|------|-----|----------|
| DN15  | 100 | 177 | 138 | 15   | 21.5 | 64  | Φ50      |
| DN20  | 120 | 184 | 145 | 21.5 | 26.5 | 64  | Φ50      |
| DN25  | 140 | 224 | 176 | 28.5 | 32.5 | 80  | Φ63      |
| DN32  | 155 | 275 | 250 | 35   | 41   | 100 | Φ80      |
| DN40  | 170 | 320 | 260 | 38   | 45   | 100 | Φ80      |
| DN50  | 190 | 360 | 310 | 48   | 56   | 126 | Φ100     |
| DN63  | 200 | 385 | 340 | 58   | 64   | 126 | Φ100     |
| DN65  | 200 | 400 | 368 | 68   | 77   | 168 | Φ125AI   |
| DN80  | 220 | 420 | 380 | 82   | 92   | 220 | Φ160AI   |

### Sanitary Pneumatic Tri-Clamp Angle Seat Valve with Plastic Actuator



JOV-ASPPAB-22

| Model | L   | A   | H   | d  | D  | D1   | E   | Actuator |
|-------|-----|-----|-----|----|----|------|-----|----------|
| DN15  | 120 | 188 | 142 | 15 | 21 | 50.5 | 64  | Φ50      |
| DN20  | 140 | 198 | 143 | 20 | 25 | 50.5 | 64  | Φ50      |
| DN25  | 160 | 243 | 182 | 25 | 33 | 50.5 | 80  | Φ63      |
| DN32  | 175 | 250 | 182 | 35 | 41 | 50.5 | 100 | Φ63      |
| DN40  | 190 | 265 | 186 | 38 | 45 | 50.5 | 100 | Φ63      |
| DN50  | 210 | 292 | 219 | 48 | 56 | 64   | 126 | Φ80      |
| DN63  | 210 | 330 | 340 | 58 | 64 | 77.5 | 126 | Φ80      |
| DN65  | 225 | 410 | 380 | 68 | 77 | 91   | 168 | Φ100     |
| DN80  | 255 | 430 | 405 | 80 | 92 | 106  | 220 | Φ100     |

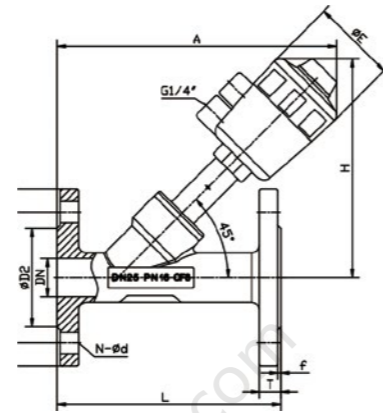


JOV-ASPPBL-22

| Model | L   | A   | H   | d  | D  | D1   | E   | Actuator |
|-------|-----|-----|-----|----|----|------|-----|----------|
| DN10  | 120 | 188 | 142 | 15 | 21 | 50.5 | 64  | Φ50      |
| DN15  | 140 | 198 | 143 | 20 | 25 | 50.5 | 64  | Φ50      |
| DN20  | 160 | 243 | 182 | 25 | 33 | 50.5 | 80  | Φ63      |
| DN25  | 175 | 290 | 250 | 35 | 41 | 50.5 | 100 | Φ80      |
| DN32  | 190 | 340 | 260 | 38 | 45 | 50.5 | 100 | Φ80      |
| DN40  | 210 | 385 | 340 | 48 | 56 | 64   | 126 | Φ100     |
| DN50  | 210 | 390 | 350 | 58 | 64 | 77.5 | 126 | Φ100     |
| DN65  | 225 | 400 | 363 | 68 | 77 | 91   | 168 | Φ125AI   |
| DN80  | 255 | 420 | 380 | 80 | 92 | 106  | 220 | Φ160AI   |

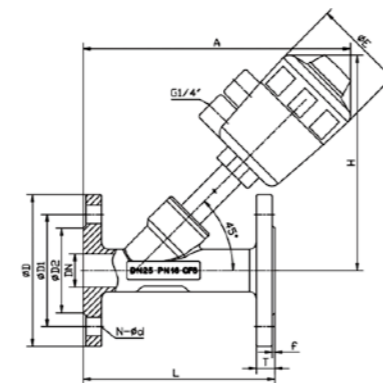


### Sanitary Pneumatic Flange Angle Seat Valve with Plastic Actuator



**JOV-ASPPAB-44**

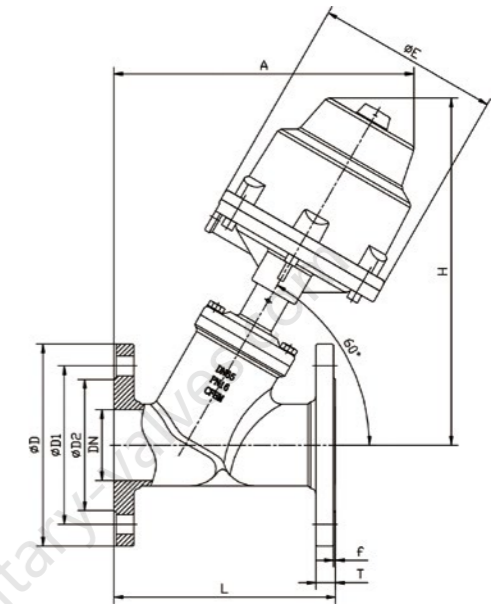
| Model | L   | A   | H   | D   | D1  | D2  | T  | f | N-Φd  | E   | Actuator |
|-------|-----|-----|-----|-----|-----|-----|----|---|-------|-----|----------|
| DN15  | 120 | 180 | 137 | 95  | 65  | 40  | 14 | 2 | 4-Φ14 | 64  | Φ50      |
| DN20  | 130 | 185 | 145 | 105 | 75  | 50  | 14 | 2 | 4-Φ14 | 64  | Φ50      |
| DN25  | 140 | 210 | 173 | 115 | 85  | 60  | 14 | 2 | 4-Φ14 | 80  | Φ63      |
| DN32  | 150 | 240 | 210 | 135 | 100 | 70  | 16 | 2 | 4-Φ18 | 80  | Φ63      |
| DN40  | 180 | 245 | 230 | 145 | 110 | 80  | 16 | 2 | 4-Φ18 | 80  | Φ63      |
| DN50  | 195 | 295 | 280 | 160 | 125 | 92  | 16 | 2 | 4-Φ18 | 100 | Φ80      |
| DN65  | 230 | 320 | 315 | 185 | 145 | 115 | 18 | 2 | 4-Φ18 | 126 | Φ100     |
| DN80  | 250 | 330 | 330 | 195 | 160 | 130 | 18 | 2 | 8-Φ18 | 126 | Φ100     |
| DN100 | 280 | 360 | 350 | 215 | 180 | 150 | 18 | 2 | 8-Φ18 | 156 | Φ125     |



**JOV-ASPPBL-44**

| Model | L   | A   | H   | D   | D1  | D2  | T  | f | N-Φd  | E   | Actuator |
|-------|-----|-----|-----|-----|-----|-----|----|---|-------|-----|----------|
| DN15  | 120 | 180 | 137 | 95  | 65  | 40  | 14 | 2 | 4-Φ14 | 64  | Φ50      |
| DN20  | 130 | 185 | 145 | 105 | 75  | 50  | 14 | 2 | 4-Φ14 | 64  | Φ50      |
| DN25  | 140 | 210 | 173 | 115 | 85  | 60  | 14 | 2 | 4-Φ14 | 80  | Φ63      |
| DN32  | 150 | 260 | 240 | 135 | 100 | 70  | 16 | 2 | 4-Φ18 | 100 | Φ80      |
| DN40  | 180 | 275 | 250 | 145 | 110 | 80  | 16 | 2 | 4-Φ18 | 100 | Φ80      |
| DN50  | 195 | 305 | 300 | 160 | 125 | 92  | 16 | 2 | 4-Φ18 | 126 | Φ100     |
| DN65  | 230 | 380 | 340 | 185 | 145 | 115 | 18 | 2 | 4-Φ18 | 186 | Φ125AI   |
| DN80  | 250 | 420 | 380 | 195 | 160 | 130 | 18 | 2 | 8-Φ18 | 220 | Φ160AI   |
| DN100 | 280 | 460 | 400 | 215 | 180 | 150 | 18 | 2 | 8-Φ18 | 220 | Φ160AI   |

### Sanitary Aluminum Alloy Pneumatic Flange Angle Seat Valve



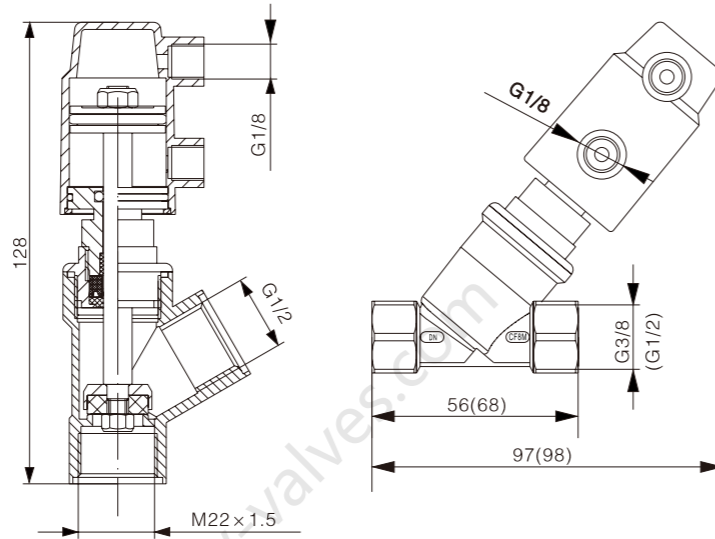
**JOV-ASPA-44**

| Model | L   | T  | f | D   | D1  | D2  | A   | H   | N-Φd  | E   | Actuator |
|-------|-----|----|---|-----|-----|-----|-----|-----|-------|-----|----------|
| DN65  | 203 | 18 | 3 | 180 | 145 | 120 | 275 | 318 | 4-Φ18 | 168 | Φ125     |
| DN80  | 241 | 20 | 3 | 195 | 160 | 135 | 302 | 345 | 8-Φ18 | 168 | Φ125     |
| DN80  | 241 | 20 | 3 | 195 | 160 | 135 | 330 | 380 | 8-Φ18 | 220 | Φ160     |
| DN100 | 254 | 20 | 3 | 215 | 180 | 155 | 338 | 395 | 8-Φ18 | 220 | Φ160     |

Pneumatic Filling Valve



JOV-FLLPSV-33



**Technical Specification**

Control method: Double Acting No Spring  
 Fluid pressure: 0-0.7MPa  
 Control pressure: 0.35-0.4MPa  
 Body: CFB/CF8M  
 Seal: PTFE  
 Fluid temperature: -10—120°C  
 Connection: Thread



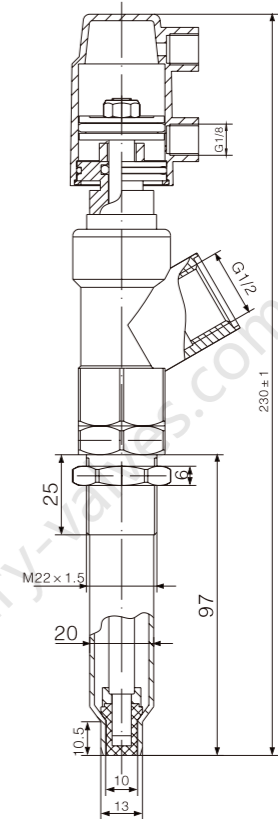
JOV-FLLPSY-33

20-13MM Filling Valve

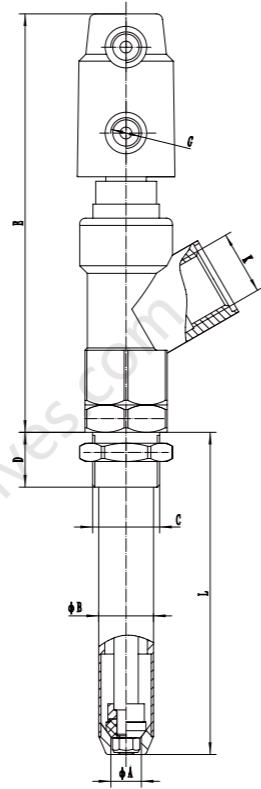


**Technical Specification**

Control mode: double acting freestyle  
 Fluid Pressure: 0-0.7Mpa  
 Control Pressure: 0.35-0.4Mpa  
 Body material: CF8 or CF8M  
 Seal: PTFE  
 Fluid temperature: -10—120°C



## Pneumatic Long Length Filling Valve



Structural diagram of inner sealing filling valve

### JOV-FLLPSLG

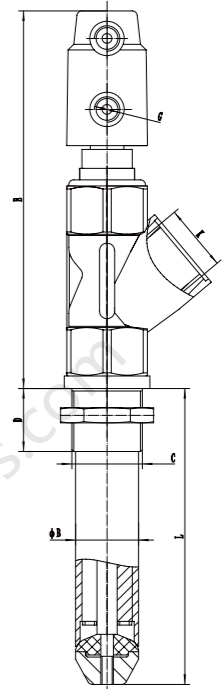
#### Technical Specification

Control mode: double acting freestyle  
 Fluid Pressure: 0-0.7Mpa  
 Control Pressure: 0.35-0.4Mpa  
 Body material: CF8 or CF8M Seal: PTFE  
 Fluid temperature: -10—120°C

#### Dimension

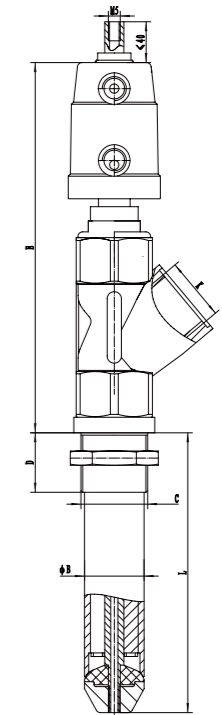
| Size   | Actuator | B    | C       | D  | E   | Size    | G    | L      |
|--------|----------|------|---------|----|-----|---------|------|--------|
| G1/2   | 27       | ≤ 20 | M22×1.5 | 18 | 138 | 5 ~ 10  | G1/8 | ≤ 350  |
| G3/4   | 27       | ≤ 25 | M22×1.5 | 18 | 150 | 5 ~ 10  | G1/8 | ≤ 350  |
| G1/2   | 32       | ≤ 20 | N22×1.5 | 18 | 140 | 5 ~ 10  | G1/8 | ≤ 400  |
| G3/4   | 32       | ≤ 25 | M28×1.5 | 18 | 156 | 5 ~ 14  | G1/8 | ≤ 400  |
| G1/2   | 40       | ≤ 25 | M28×1.5 | 18 | 180 | 5 ~ 14  | G1/8 | ≤ 1500 |
| G3/4   | 40       | ≤ 25 | M28×1.5 | 18 | 194 | 5 ~ 14  | G1/8 | ≤ 1500 |
| G1     | 50       | ≤ 35 | M28×1.5 | 18 | 228 | 14 ~ 21 | G1/8 | ≤ 1500 |
| G1 1/4 | 50       | ≤ 42 | M45×1.5 | 20 | 267 | 22 ~ 27 | G1/8 | ≤ 1500 |
| G1 1/4 | 63       | ≤ 42 | M45×1.5 | 20 | 283 | 22 ~ 27 | G1/8 | ≤ 1500 |
| G1 1/2 | 50       | ≤ 50 | M53×1.5 | 20 | 268 | 28 ~ 33 | G1/8 | ≤ 1500 |
| G1 1/2 | 63       | ≤ 50 | M53×1.5 | 20 | 284 | 28 ~ 33 | G1/8 | ≤ 1500 |
| G2     | 63       | ≤ 70 | M74×1.5 | 20 | 312 | 34 ~ 47 | G1/8 | ≤ 1500 |
| G2 1/2 | 90       | ≤ 89 | M92×1.5 | 20 | 284 | 48 ~ 60 | G1/4 | ≤ 1500 |

## Pneumatic Long Length Filling Valve



Structural diagram of external sealing filling valve

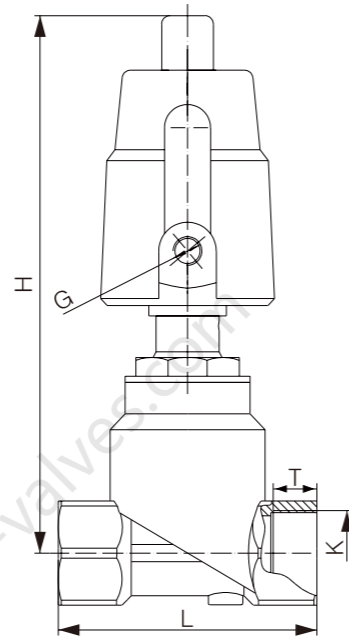
### JOV-FLLPS-2013



Structural diagram of the suction filling valve

### JOV-FLLPSLG-S

## Right Angle Seat Valve Thread End



JOV-ASPSR-33

### Technical Specification

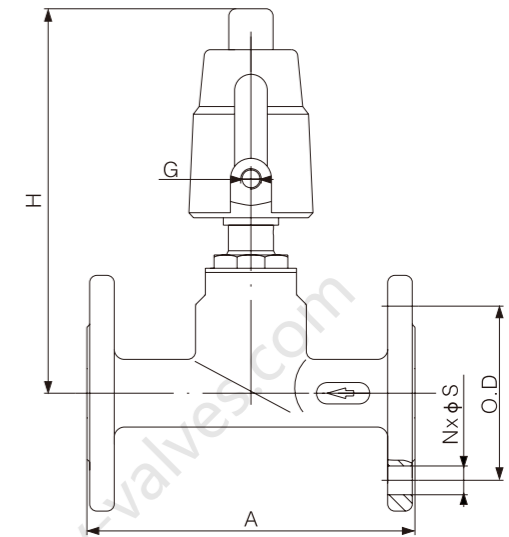
Control method: Double Acting No Spring  
 Fluid Pressure: 0-0.7Mpa  
 Control Pressure: 0.35-0.4Mpa  
 Body: CF8/CF/M  
 Seal: PTFE  
 Fluid Temperature:-10-120 °C

### Dimension

Thread type: BSP(G), BSPT, NPT

| Size | Actuator | H   | L   | K       | T  | G     |
|------|----------|-----|-----|---------|----|-------|
| DN15 | 27       | 113 |     |         |    |       |
| DN15 | 32       | 117 |     |         |    |       |
| DN15 | 40       | 150 | 78  | G1/2"   | 14 |       |
| DN15 | 50       | 167 |     |         |    |       |
| DN20 | 50       | 170 | 74  | G3/4"   | 16 |       |
| DN25 | 50       | 182 | 89  | G1"     | 20 | G1/8" |
| DN25 | 63       | 213 |     |         |    |       |
| DN32 | 63       | 231 | 109 | G1 1/4" | 20 |       |
| DN40 | 63       | 234 | 112 | G1 1/2" | 22 |       |
| DN50 | 63       | 248 | 145 | G2"     | 26 |       |
| DN32 | 80       | 246 | 109 | G1 1/4" | 20 |       |
| DN40 | 80       | 250 | 112 | G1 1/2" | 22 |       |
| DN50 | 80       | 265 | 145 | G2"     | 26 |       |
| DN32 | 90       | 281 | 109 | G1 1/4" | 20 | G1/4" |
| DN40 | 90       | 285 | 112 | G1 1/2" | 22 |       |
| DN50 | 90       | 302 | 145 | G2"     | 26 |       |

## Right Angle Seat Valve Flange End



JOV-ASPSR-44

### Technical Specification

Control method: Double Acting No Spring  
 Fluid Pressure: 0-0.7Mpa  
 Control Pressure: 0.35-0.4Mpa  
 Body: CF8/CF/M  
 Seal: PTFE  
 Fluid Temperature:- 10- 120 °C

### Dimension

| Size | Actuator | H   | A        | N | S  | O.D | G    |
|------|----------|-----|----------|---|----|-----|------|
| DN15 | 32       | 117 | 120      | 4 | 14 | 65  |      |
| DN15 | 40       | 150 | 120      | 4 | 14 | 65  |      |
| DN15 | 50       | 167 | 120      | 4 | 14 | 65  |      |
| DN20 | 50       | 170 | 130      | 4 | 14 | 75  |      |
| DN25 | 50       | 182 | 125(160) | 4 | 14 | 85  |      |
| DN25 | 63       | 213 | 125(160) | 4 | 14 | 85  | H1/8 |
| DN32 | 63       | 231 | 150(180) | 4 | 18 | 100 |      |
| DN40 | 63       | 234 | 165(200) | 4 | 18 | 110 |      |
| DN50 | 63       | 248 | 190(230) | 4 | 18 | 125 |      |
| DN32 | 80       | 246 | 150(180) | 4 | 18 | 100 |      |
| DN40 | 80       | 249 | 165(200) | 4 | 18 | 110 |      |
| DN50 | 80       | 247 | 190(230) | 4 | 18 | 125 |      |
| DN32 | 90       | 281 | 150(180) | 4 | 18 | 100 | G1/4 |
| DN50 | 90       | 284 | 165(200) | 4 | 18 | 110 |      |
| DN50 | 90       | 301 | 190(230) | 4 | 18 | 125 |      |

## Pneumatic Three-way Angle Seat Valve

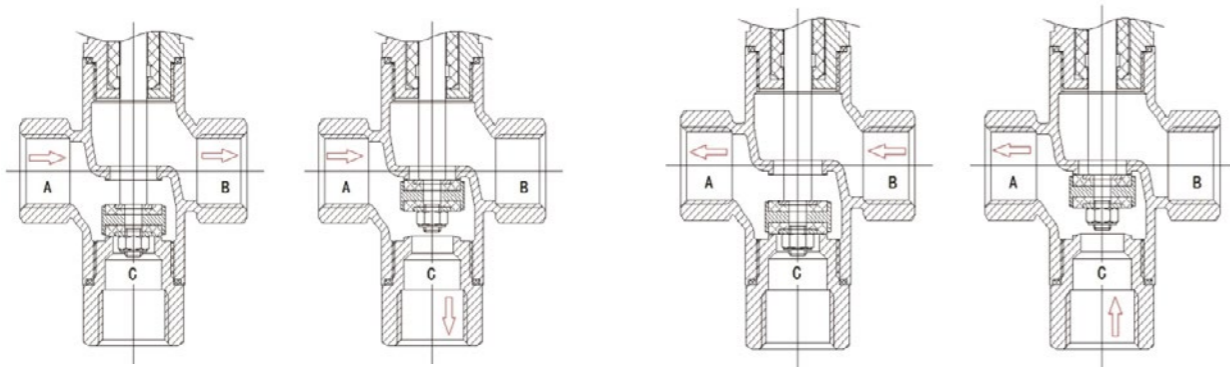


### Function Principle

The valve has three ports that enable "reversing" and "blending" features. When the valve is in idle state, C port is often closed due to force of the spring. When the actuator piston is compressed, C port is opened and B port is closed. When double acting, the valve opens and closes by compressed air.

### Technical Specification

Work pressure; Max1.6MPa  
 Control pressure: 0.3-0.8MPa  
 Control Medium: Neutral gas or air  
 Body material: CF8M  
 Actuator material: Cf8  
 Seal material: PTFE  
 Medium temperature:- 10 °C—+180 °C  
 Ambient temperature:- 10 °C—+80 °C  
 Control type: Normally closed, Double acting with spring, Double acting with compressed air.  
 Connection: Thread, Tri-clamp  
 Applicable medium: Water, steam, oil, neutral gas or liquid, organic solvent, acid base solution, etc



Reversing

Blending

## Pneumatic Three-way Angle Seat Valve

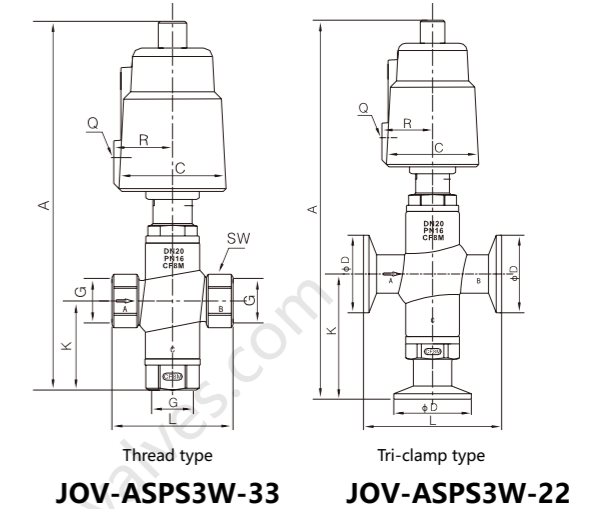
### Dimension

Thread type

| Size | Actuator | Q    | C    | R  | G    | A   | K  | L  | SW | Weight (kg) |
|------|----------|------|------|----|------|-----|----|----|----|-------------|
| DN15 | 40       | G1/8 | 50.5 | 27 | 1/2" | 195 | 50 | 68 | 27 | 0.91        |
| DN20 | 50       | G1/8 | 60   | 33 | 3/4" | 230 | 60 | 75 | 32 | 1.25        |
| DN25 | 50       | G1/8 | 60   | 33 | 1"   | 242 | 68 | 90 | 40 | 1.64        |

Tri-clamp type

| Size | Actuator | Q    | C    | R  | D    | A   | K  | L   | Weight (kg) |
|------|----------|------|------|----|------|-----|----|-----|-------------|
| DN15 | 40       | G1/8 | 50.5 | 27 | 34   | 223 | 80 | 90  | 0.99        |
| DN20 | 50       | G1/8 | 60   | 33 | 50.5 | 246 | 80 | 90  | 1.48        |
| DN25 | 50       | G1/8 | 60   | 33 | 50.5 | 262 | 90 | 100 | 1.78        |



### Pressure Data

Type 1:Single acting, with Normal Spring

| Size | Acuato | Interface | Inner hole | Flow rate KV(m <sup>3</sup> /h) |       | Differential Pressure range<br>Δ P(MPa)A → B/A → C | Differential Pressure range<br>Δ P(MPa)C → A | Control piesstrle (MPa) |
|------|--------|-----------|------------|---------------------------------|-------|--|--|-------------------------|
|      |        |           |            | A → B                           | A → C |  |  |                         |
| DN15 | 40     | 1/2"      | 14         | 4.1                             | 4.9   | 0-1.6  | 1.2  | 0.4-0.6                 |
| DN20 | 50     | 3/4"      | 18         | 5.8                             | 6.5   | 0-1.6  | 0.8  | 0.3-0.5                 |
| DN25 | 50     | 1"        | 24         | 13.9                            | 14.4  | 0-1.4  | 0.4  | 0.3-0.65                |

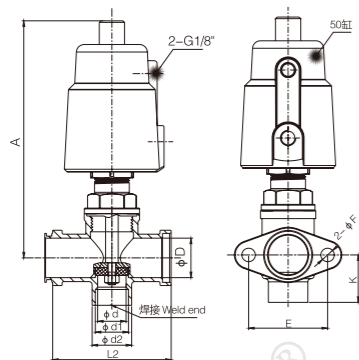
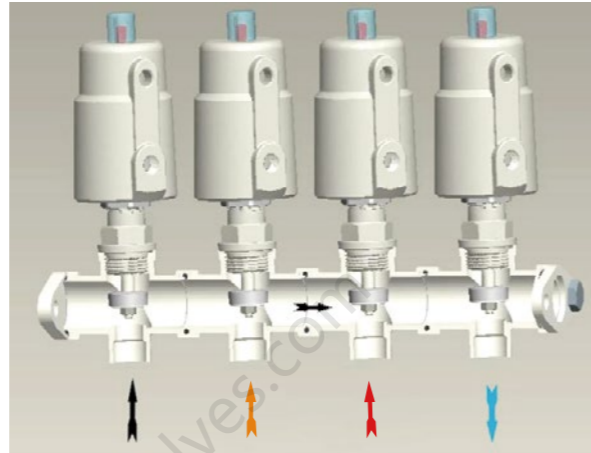
Type 2:Single acting,with Strong Spring

| Size | Acuato | Interface | Inner hole | Flow rate KV(m <sup>3</sup> /h) |       | Differential Pressure range<br>Δ P(MPa)A → B/A → C | Differential Pressure range<br>Δ P(MPa)C → A | Control piesstrle (MPa) |
|------|--------|-----------|------------|---------------------------------|-------|--|--|-------------------------|
|      |        |           |            | A → B                           | A → C |  |  |                         |
| DN15 | 40     | 1/2"      | 14         | 4.1                             | 4.9   | 0-1.6  | 1.2  | 0.4-0.6                 |
| DN20 | 50     | 3/4"      | 18         | 5.8                             | 6.5   | 0-1.6  | 1.4  | 0.45-0.65               |
| DN25 | 50     | 1"        | 24         | 13.9                            | 14.4  | 0-1.4  | 0.6  | 0.45-0.65               |

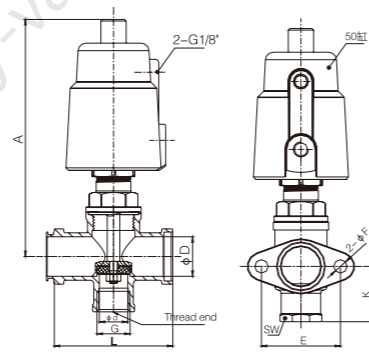
Type 3:Double acting, with Normal Spring

| Size | Acuato | Interface | Inner hole | Flow rate KV(m <sup>3</sup> /h) |       | Differential Pressure range<br>Δ P(MPa)A → B/A → C | Differential Pressure range<br>Δ P(MPa)C → A | Control piesstrle (MPa) |
|------|--------|-----------|------------|---------------------------------|-------|--|--|-------------------------|
|      |        |           |            | A → B                           | A → C |  |  |                         |
| DN15 | 40     | 1/2"      | 14         | 4.1                             | 4.9   | 0-1.6  | 1.6  | 0.4-0.6                 |
| DN20 | 50     | 3/4"      | 18         | 5.8                             | 6.5   | 0-1.6  | 1.6  | 0.3-0.5                 |
| DN25 | 50     | 1"        | 24         | 13.9                            | 14.4  | 0-1.4  | 1.4  | 0.3-0.65                |

## Pneumatic Three-way Manifold Valve



**JOV-ASPS3WM-11**



**JOV-ASPS3WM-33**

### Dimension

| Size | A  | K  | L  | D  | d  | d1 | d2 | ØE | 2-ØF | KV(m <sup>3</sup> /h) | Weight(Kg) |
|------|----|----|----|----|----|----|----|----|------|-----------------------|------------|
| DN20 | 53 | 30 | 76 | 25 | 18 | 21 | 25 | 50 | 8.5  | 8.1                   | 1.2        |
| DN25 | 53 | 36 | 90 | 32 | 24 | 27 | 32 | 57 | 8.5  | 14.8                  | 1.6        |

| Size | A   | K  | L  | D  | d  | G    | SW | ØE | 2-ØF | KV(m <sup>3</sup> /h) | Weight(Kg) |
|------|-----|----|----|----|----|------|----|----|------|-----------------------|------------|
| DN20 | 153 | 35 | 76 | 25 | 18 | 1/2" | 27 | 50 | 8.5  | 8.1                   | 1.2        |
| DN25 | 153 | 46 | 90 | 32 | 24 | 1"   | 39 | 57 | 8.5  | 14.8                  | 1.6        |

### Technical Specification

|                     |  |
|---------------------|--|
| Fluid Pressure      | 0-1.6MPa   |
| Control Pressure    | 0.3-0.8MPa   |
| Advantages          | 3-Way body; Assemble easily and save space; Best choice for fluid mixing |
| Control Medium      | Neutral gas, Air   |
| Seal Material       | PTFE   |
| Applicable Medium   | Water, Oil, Air and other liquid   |
| Medium Temperature  | -10°C—+180°C, +25°C—+220°C   |
| Ambient Temperature | -10°C—+80°C  |
| Connection Type     | Flanged  |
| Control Type        | Nomally closed, Double acting with spring, Double acting                 |

## Modular Valve System

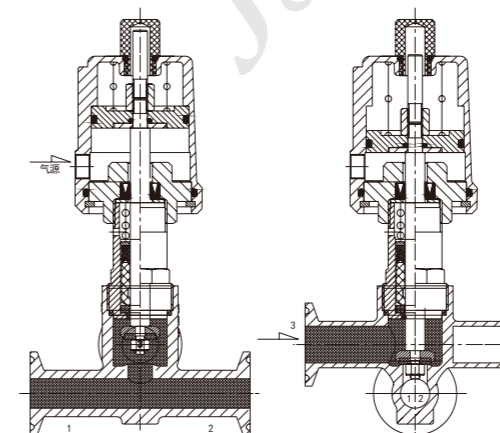
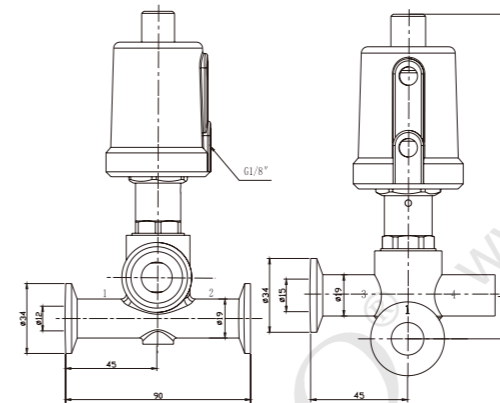


### Function Principle

When the valve is in idle state, due to the spring force the valve is Normally Closed(No.3 port), the bottom two ports are Normally Open(No.2 port); When the actuator piston is pressed by air, the valve opens, fluids from NO.3 port goes into No.1 and No.2 ports. When Double Acting, the valve opens/closes by compressed air.

### Technical Specification

Operating Pressure: Max1.6MPa  
 Control Pressure: 0.3-0.8MPa  
 Control Medium: Neutral gas, Air  
 Body Material: CF8M  
 Actuator Material: CF8  
 Seal Material: PTFE  
 Medium Temperature: -10°C—+180°C  
 Ambient Temperature: -10°C—+80°C  
 Control Type: Normally Closed, Double Acting With Spring, Double Acting, Normally Open  
 Connection Type: Tri-clamp  
 Applicable Medium: Water, Seam, Oil, Neutral gas or Liquid, Organic coent Acid and IN



**JOV-ASPSMDS-22**

### Advantages

- Easy to clean
  - Seat is separate from the public ports. Well machined inner wall of the public ports ensures a smooth flow.
  - The valve utilizes bottom seal and seal ring for connection to valvestem in order to avoid fluid residue and allow effortless cleaning.
- The modular valve system is easy to install and assemble, allowing many diferent layouts. It is a good choice for mixing, distributing and collecting fluids.