

J&O®

J&O FLUID CONTROL CO., LIMITED

Sanitary Butterfly Valve

J&O®

J&O FLUID CONTROL CO., LIMITED

Address: Binhai ETDZ, 5 Road, Longwan, Wenzhou, China. 325000

Tel: +86 577 8663 2750

Fax: +86 577 8663 2850

Mob./WhatsApp: +86 186 5778 5727

Site: www.sanitary-valves.com

Email: Info@jo-pv.com

With more than 15 years of market experiences, we have become the leading supplier service for pharmaceutical, chemical, food, Beverage and Lithium battery companies

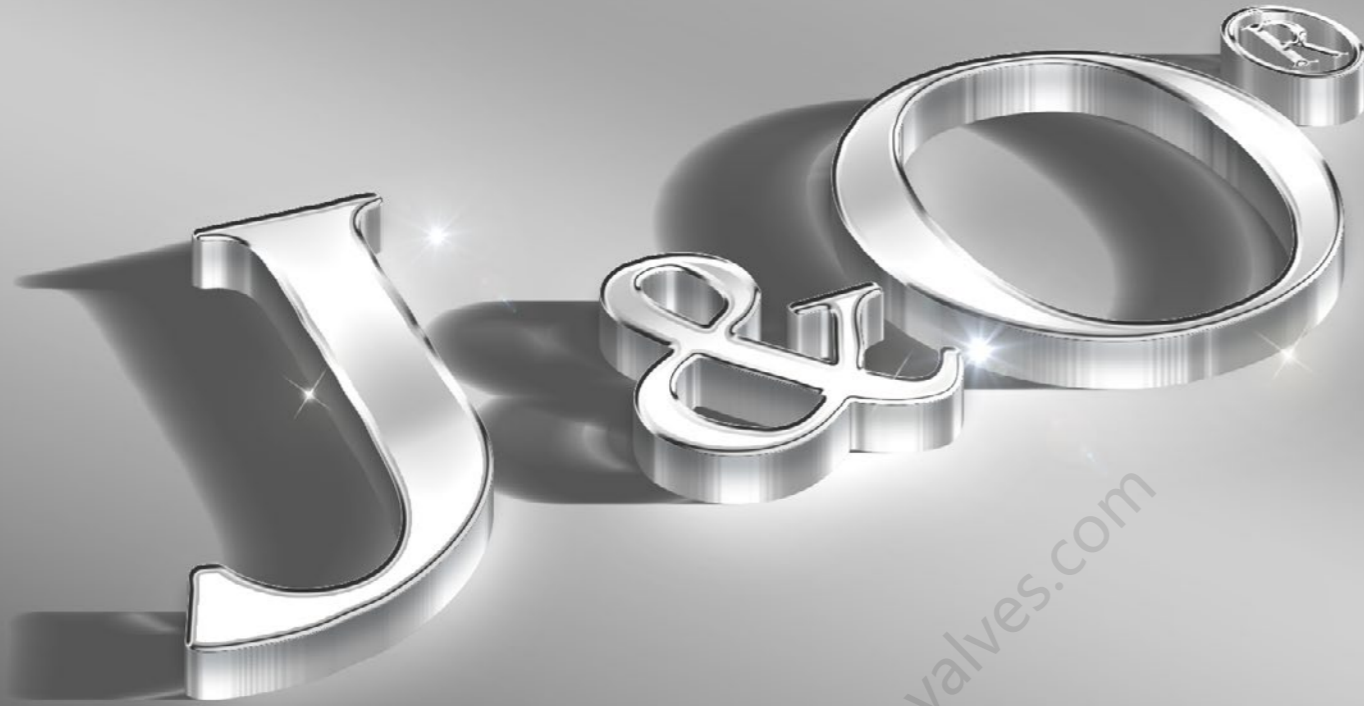


Site Code



WhatsApp Code

J&O BRAND, RELIABLE QUALITY FOR YOU
CE&ISO 9001:2015 CERTIFIED ACQUIRED
15 YEARS FLUID SOLUTION EXPERIENCES
EXPORTING TO OVER 40 COUNTRIES
EXCELLENT VALUE-ADDED SERVICE.



We focus on Details
We Make Different
J&O Brand,that can be trust.

J&O PROFILE

J&O Fluid Control Co., Limited established in 2008, a leading Manufacturer and Supplier of high quality hygienic stainless steel flow control equipments.

J&O services the Food, Dairy, Beverage, Cosmetic, Pharmaceutical, Biological engineering, Lithium battery, Semiconductor, Water treatment, Petroleum and Chemical industries.

J&O product series consists of sanitary stainless steel Valves & Fittings:

- >>Sanitary Stainless Steel Pumps
- >>Sanitary Stainless Steel Valves
- >>Stainless Steel Tank Accessories
- >>Stainless Steel Pipe Fittings
- >>Stainless Steel Flanges
- >>Stainless Steel Double Ferrule Tube Fittings
- >>Hydraulic Pneumatic Quick Coupling
- >>Carbon Steel Pipe Fittings
- >>Customized Valve and Fittings

Through the years, "Perfection" has been the only goal we pursue. In order to satisfy customers, with continuous efforts, we are working towards perfection through a Quality Assurance System. With persistence and effort, we have become one of the leading enterprises of sanitary valves and pipe fittings in China.

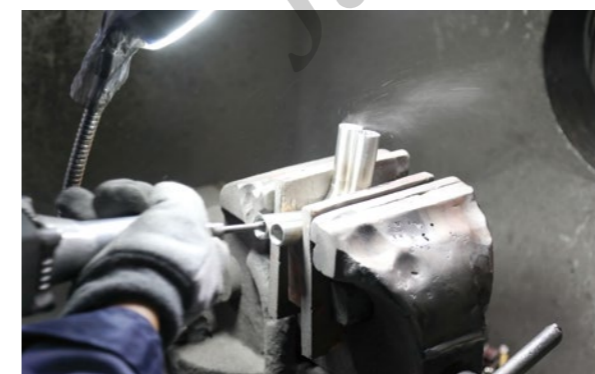
Our organization is dedicated to provide our customers with best service of every aspect. We strongly believe, that the friendship and trust given by our customers, is the great treasure we have.

J&O[®]
J&O FLUID CONTROL CO., LIMITED

Certificate



Plant & Producing



Testing Machine



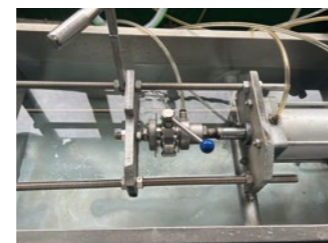
Actuator Testing



Helium Leak Detector



Pressure Test for Large Valve



Pressure Test for Small Valve



Sanitary Butterfly Valve

Our Core Values: Team, Details, Altruism, Innovation and Embrace Change.

11 TECHNOLOGICAL PROCESS



Each product goes through 11 production processes with process card, we can clearly know the person in charge of each process, to ensure product quality!

Sanitary Butterfly Valve



Applications:

This series of valves include sanitary pneumatic and manual butterfly valves, which are widely used in stainless steel pipeline systems to control and regulate the medium flow.

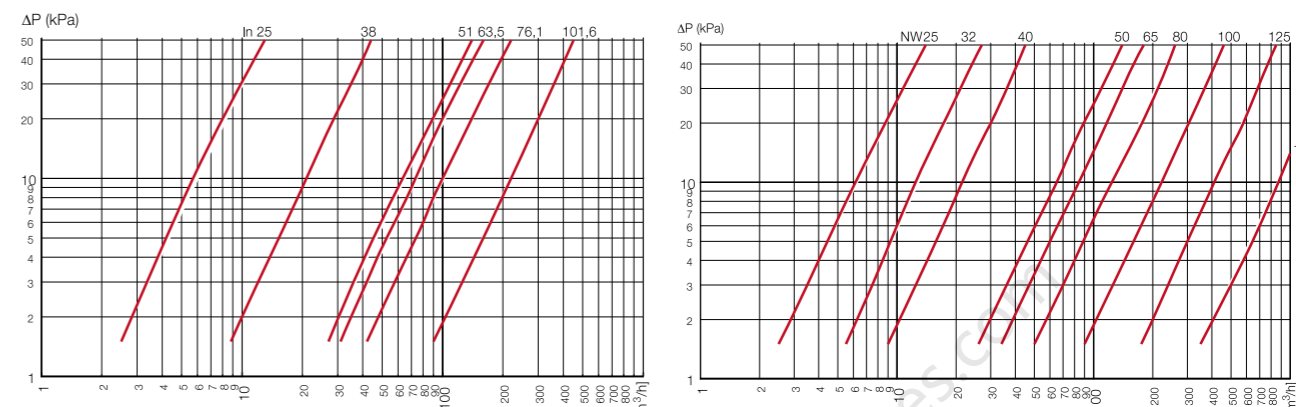
Design Features:

- The valve body has multiple connections as options, but the body length can't be changed.
- Connection: clamp, weld, thread, flange
- Material of parts in contact with medium is 304/316L, other parts are 304. Sealing material: EPDM, VMQ, FPM
- Working pressure: 0~10bar control air pressure: 5~8bar
- Working temperature: EPDM (-40~+120 °C) 、VMQ (-40~+130°C) 、FPM (-40~+180°C)
- Size: 1"-12"/DIN20-300
- Standard: 3A, DIN, SMS, IDF, ISO

Work Principle:

- This kind of valve can be operated by either handle or electric actuator or pneumatic actuator.
- The actuator converts the steering motion of a piston into a 90 degree rotation of the valve shaft. So the valve can be opened or closed to achieve the requirements for control and opening/closing of the pipeline system.
- There are three types of actuators: Normal open(NO), Normal closed(NC), air/air(A/A).
- The multi-position handle regulates the valve by 15° in its 12 open or closed seats to achieve the control of the medium flow.
- The pull handle regulates the valve through four positions to achieve the control of the medium flow.

Capacity/Pressure Drop Diagrams



Butterfly valve KV value (valve fully open) reference value (0.1MPa)

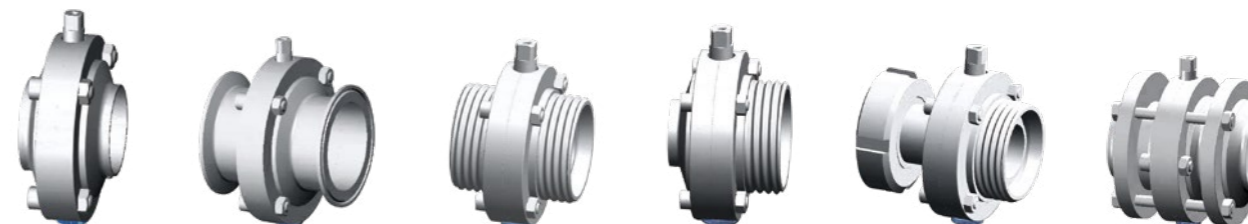
Size	1/2"-3/4"	1"/DN25	1.25"/DN32	1.5"/DN40	2"/DN65	2.5"/DN65	3"/DN80	4"/DN100	5"/DN125
KV	18	18	23	23	25	45	70	110	180

Torque table of non-pin soft seal centerline butterfly valve

Size	1/2"-3/4"	1"/DN25	1.25"/DN32	1.5"/DN40	2"/DN65	2.5"/DN65	3"/DN80	4"/DN100	5"/DN125
扭矩 N.m	6.5	8	10	12	20	30	35	40	60

Note: The profile data base on: Medium: Water (20°C). Measurement: In accordance with VDI 2173.

Connection Type



Weld

Tri-Clamp

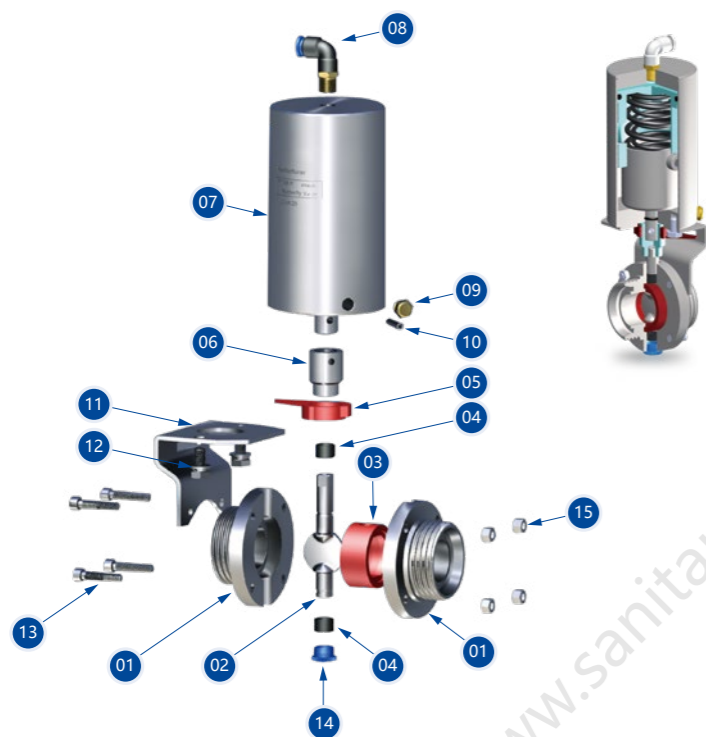
Thread

Weld/Thread

Union/Thread

3-Piece

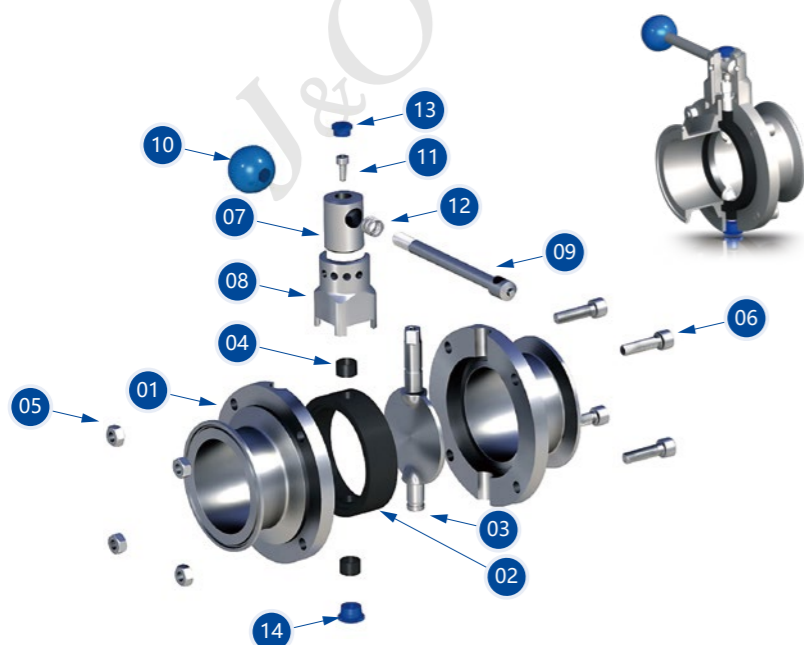
Sanitary Pneumatic Butterfly Valve



Parts List

No	Description
01	Valve Body
02	Dish Plate
03	Seal Ring
04	Bush
05	Direction Pin
06	Connection Sleeve
07	Pneumatic Head
08	Gas-Type Fitting
09	Silencer
10	Dowel
11	Hanger
12	Bolt
13	Bolt
14	Plastic Plug
15	Nut

Sanitary Manual Butterfly Valve

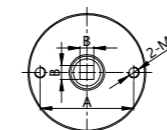
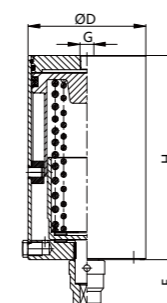


Parts List

No	Description
01	Valve Body
02	Seal Ring
03	Dish Plate
04	Bush
05	Hex Nut
06	Bolt
07	Rotary Head
08	Coat
09	Draw Bar
10	Handle Ball
11	Bolt
12	Spring
13	Plastic Plug
14	Plastic Plug

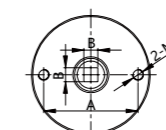
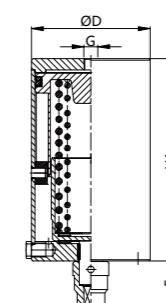
Stainless Steel Pneumatic Actuator

Detachable (single acting)



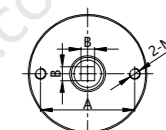
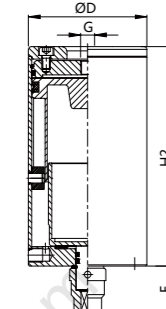
JOA-PS-S

Closed type (single acting)



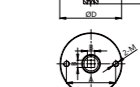
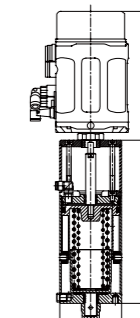
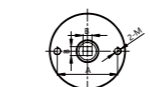
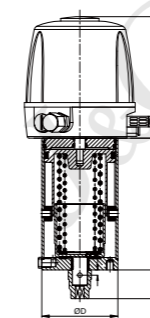
JOA-PS-S

Detachable (double acting)



JOA-PS-D

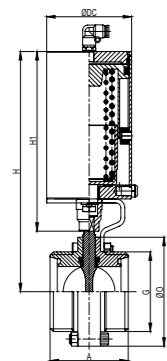
Size	A	B	D	E	G	M	H	H1	H2	Suit for Butterfly Valve	Single-Action	Double-Action
85	68	8×8	10×10	85.4	32.5	8	148.5	146	155.5	1"-4"DN25-DN100	35Nm	60Nm
		G1/8"										
108	68	10×10	14×14	108	47	8	178.3	177	185.3	4"-6"DN100-DN150	60Nm	110Nm
		R1/8"										
133	100	14×14	16×16	133	60	10	246.5	245.5	253.5	8"DN200	150Nm	190Nm
		G1/8"										



Size	A	B	D	E	M	H	
85	68	8×8	10×10	85.4	32.5	8	148.5
		11×11					
108	68	12×12	14×14	108	47	8	178.3
		14×14					
133	100	14×14	16×16	133	60	10	246.5
		16×16					

Size	A	B	D	E	M	H	
85	68	8×8	10×10	85.4	32.5	8	225.5
		11×11					
108	68	12×12	14×14	108	47	8	260.3
		14×14					
133	100	14×14	16×16	133	60	10	352.5
		16×16					

SMS / 3A



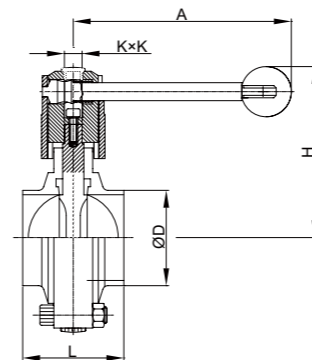
JOV-BFHPS-33-D

Pneumatic Sanitary Butterfly Valve

Size	ØO	G	A	Dc	H	H1
DN15	78.0	Rd34×1/8"	66.0	85.0	222.0	180.5
DN20	78.0	Rd44×1/6"	66.0	85.0	222.0	180.5
DN25	78.0	Rd52×1/6"	68.0	85.0	222.0	180.5
DN32	86.0	Rd58×1/6"	68.0	85.0	226.0	180.5
DN40	90.0	Rd65×1/6"	72.0	85.0	228.0	180.5
DN50	106.0	Rd78×1/6"	76.0	85.0	236.0	180.5
DN65	124.0	Rd95×1/6"	80.0	85.0	245.0	180.5
DN80	139.0	Rd110×1/4"	90.0	85.0	253.0	180.5
DN100	159.0	Rd130×1/4"	100.0	85.0	263.0	180.5
DN125	185.0	Rd160×1/4"	143.0	133.0	415.0	298.0
DN150	215.0	Rd190×1/4"	160.0	133.0	430.0	298.0

SMS/3A Weld Butterfly Valve with Pull Handle

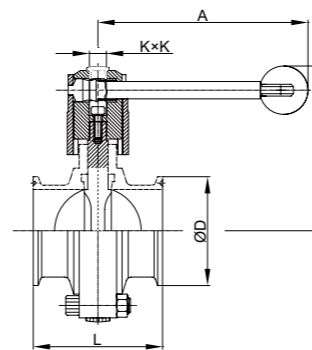
Size	D	A	H	L	k×K
1"	25.4	135	68	50	8×8
1.5"	38.1	135	72	50	8×8
2"	50.8	135	79	52	10×10
2.5"	63.5	135	86	56	10×10
3"	76.2	135	96	58	10×10
4"	101.6	160	110	64	10×10
6"	152.4	210	147	90	14×14
8"	203.2	315	183	92	17×17
10"	254.0	315	210	100	19×19
12"	304.8	500	257	120	19×19



JOV-BFHMR4-11

SMS/3A Clamp Butterfly Valve with Pull Handle

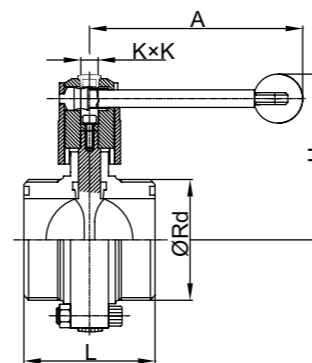
Size	D	A	H	L	k×K
1"	50.5	135	68	66	8×8
1.5"	50.5	135	72	66	8×8
2"	64	135	79	72	10×10
2.5"	77.5	135	86	76	10×10
3"	91	135	96	76	10×10
4"	119	160	110	90	10×10
6"	166.7	210	147	132	14×14
8"	217	315	183	134	17×17
10"	268.5	315	210	142	19×19
12"	319	500	257	162	19×19



JOV-BFHMR4-22

SMS Thread(Male) Butterfly Valve with Pull Handle

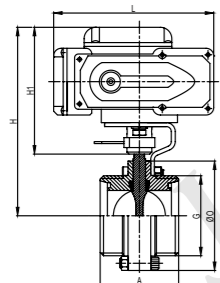
Size	Rd	A	H	L	k×K
1"	Rd40×1/6"	135	68	68	8×8
1.25"	Rd48×1/6"	135	69	68	8×8
1.5"	Rd60×1/6"	135	72	70	10×10
2"	Rd70×1/6"	135	79	76	10×10
2.5"	Rd85×1/6"	135	86	76	10×10
3"	Rd98×1/6"	135	96	80	10×10
3.5"	Rd110×1/6"	160	102	84	10×10
4"	Rd125×1/6"	160	110	90	10×10
4.5"	Rd132×1/6"	160	111	90	14×14



JOV-BFHMR4-33-S

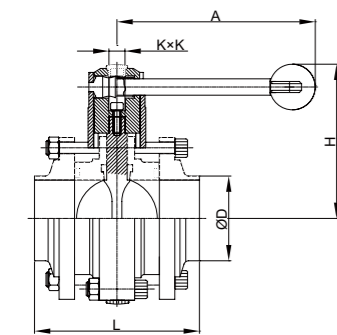
Electric Sanitary Butterfly Valve

Size	ØO	G	A	L	H	H1
DN15	78.0	Rd34×1/8"	66.0	175.5	170.0	131.0
DN20	78.0	Rd44×1/6"	66.0	175.5	170.0	131.0
DN25	78.0	Rd52×1/6"	68.0	175.5	170.0	131.0
DN32	86.0	Rd58×1/6"	68.0	175.5	174.0	131.0
DN40	90.0	Rd65×1/6"	72.0	175.5	176.0	131.0
DN50	106.0	Rd78×1/6"	76.0	175.5	184.0	131.0
DN65	124.0	Rd95×1/6"	80.0	208.0	207.0	145.0
DN80	139.0	Rd110×1/4"	90.0	208.0	214.5	145.0
DN100	159.0	Rd130×1/4"	100.0	208.0	224.5	145.0
DN125	185.0	Rd160×1/4"	143.0	208.0	237.5	145.0
DN150	215.0	Rd190×1/4"	160.0	208.0	252.5	145.0



JOV-BFHE-33-D

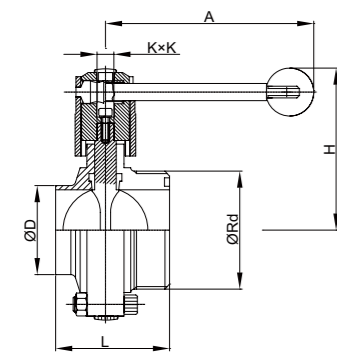
SMS / 3A



JOV-BFH3PMR4-11-S

SMS/3A Three-Piece Flange Butterfly Valve with Pull Handle

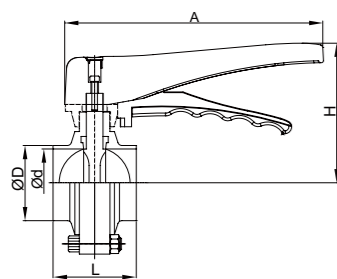
Size	D	L	H	A	k x K
1"	25.4	100	68	135	8 x 8
1.25"	31.8	100	69	135	8 x 8
1.5"	38.1	100	72	135	8 x 8
2"	50.5	104	79	135	10 x 10
2.5"	63.5	106	86	135	10 x 10
3"	76.2	108	96	135	10 x 10
3.5"	88.9	112	102	160	10 x 10
4"	101.6	116	110	160	10 x 10
5"	127	138	128	210	14 x 14
6"	152.4	152	147	210	14 x 14
8"	203.2	162	183	315	17 x 17
10"	254	210	210	315	19 x 19



JOV-BFHMR4-13-S

SMS Weld/Thread Butterfly Valve with Pull Handle

Size	H	D	A	B	L	k x K
1"	68	25.4 x 1.5	135	Rd 40 x 1/6"	59	8 x 8
1.25"	68	31.8 x 1.5	135	Rd 48 x 1/6"	59	8 x 8
1.5"	72	38.1 x 1.5	135	Rd 60 x 1/6"	60	8 x 8
2"	79	50.8 x 1.5	135	Rd 70 x 1/6"	64	10 x 10
2.5"	83	63.5 x 2	135	Rd 85 x 1/6"	66	10 x 10
3"	96	76.1 x 2	135	Rd 98 x 1/6"	69	10 x 10
4"	110	101.6 x 2	160	Rd 125 x 1/6"	78	10 x 10

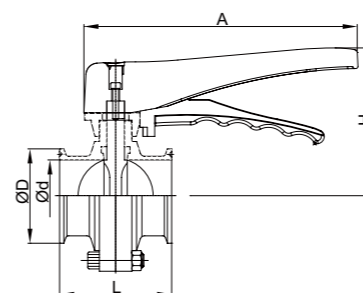


JOV-BFHM12-11-A

3A Weld Butterfly Valve With Gripper Handle

Size	d	D	A	L	H
1"	22.1	25.4	138	50	78
1.25"	28.5	31.8	138	50	81
1.5"	34.8	38.1	138	50	81
2"	47.5	50.8	162	52	103
2.5"	60.2	63.5	162	56	110
3"	72.9	76.2	162	58	118
3.5"	84.9	88.9	162	60	123
4"	97.6	101.6	162	66	130
5"	122	127	210	66	145
6"	146.8	152.4	210	90	160

3A



JOV-BFHM12-22-A

3A Tri-Clamp Butterfly Valve With Gripper Handle

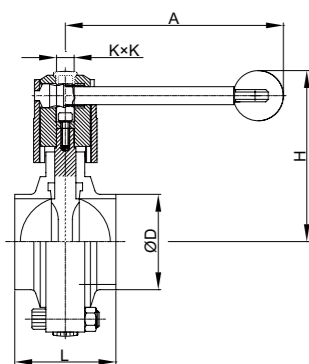
Size	d	D	A	L	H
1"	22.1	50.5	138	66	78
1.25"	28.5	50.5	138	66	81
1.5"	34.8	50.5	138	66	81
2"	47.5	64	162	72	103
2.5"	60.2	77.5	162	76	110
3"	72.9	91	162	76	118
3.5"	84.9	106	162	84	123
4"	97.6	119	162	90	130
5"	122	145	210	108	145
6"	146.8	183	210	110	160

13 Sanitary Butterfly Valve

14 Sanitary Butterfly Valve

ISO

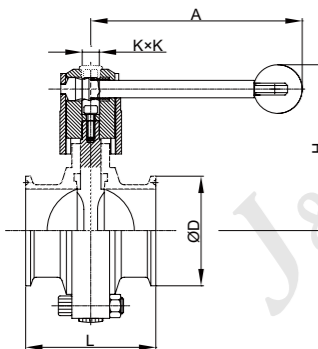
ISO Weld Butterfly Valve with Pull Handle



JOV-BFHMR4-11-IS

Size	D	A	H	L	K×K
Φ19	19.1	135	68	50	8×8
Φ25.4	25.4	135	68	50	8×8
Φ31.8	31.8	135	68	50	8×8
Φ38	38.1	135	72	50	8×8
Φ45	45	135	74	50	8×8
Φ50.8	50.8	135	79	52	10×10
Φ57	57	135	83	54	10×10
Φ63.5	63.5	135	86	56	10×10
Φ76.2	76.2	135	96	58	10×10
Φ89	89	160	102	60	10×10
Φ101.6	101.6	160	110	6	10×10
Φ133	133	210	128	80	14×14
Φ159	159	210	147	90	14×14
Φ219	219	315	183	92	17×17
Φ273	273	315	210	100	19×19

ISO Tri-Clamp Butterfly Valve with Pull Handle

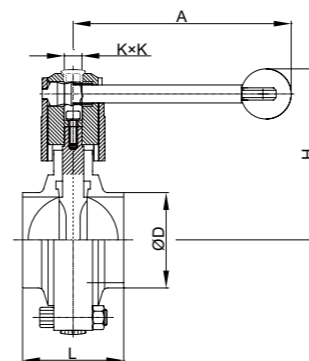


JOV-BFHMR4-22-IS

Size	D	A	H	L	K×K
Φ19	50.5	135	68	66	8×8
Φ25.4	50.5	135	68	66	8×8
Φ31.8	50.5	135	68	66	8×8
Φ38.1	50.5	135	72	66	8×8
Φ45	64	135	74	70	8×8
Φ50.8	64	135	79	72	10×10
Φ57	77	135	83	76	10×10
Φ63.5	77	135	86	76	10×10
Φ76.2	91	135	96	76	10×10
Φ89	106	160	102	84	10×10
Φ101.6	119	160	110	90	10×10
Φ108	119	160	112	90	14×14
Φ114	130	160	112	106	14×14
Φ133	145	210	128	122/108	14×14
Φ159	183	210	147	132/110	14×14
Φ219	233.5	315	183	134	17×17
Φ273	286	315	257	142	19×19

DIN

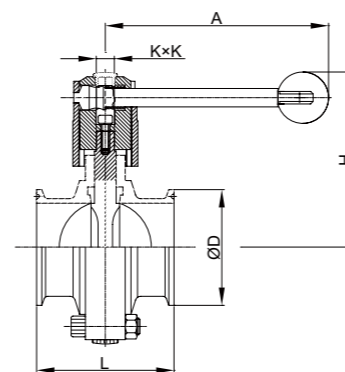
DIN Weld Butterfly Valve with Pull Handle



JOV-BFHMR4-11-D

Size	D	A	H	L	K×K
20	22	135	68	50	8×8
25	28	135	68	50	8×8
32	34	135	70	50	8×8
40	40	135	74	50	8×8
50	52	135	82	52	10×10
65	70	135	94	58	10×10
80	85	160	102	62	10×10
100	104	160	112	66	10×10
125	129	210	128	80	14×14
150	154	210	142	90	14×14
200	204	315	183	92	17×17
250	254	315	210	100	19×19
300	304	500	257	120	19×19

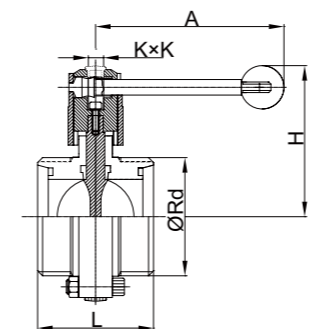
DIN Tri-Clamp Butterfly Valve with Pull Handle



JOV-BFHMR4-22-D

Size	D	A	H	L	K×K
25	50.5	135	68	66	8×8
32	50.5	135	70	66	8×8
40	50.5	135	74	66	8×8
50	64	135	82	72	10×10
65	91	135	94	76	10×10
80	106	160	102	80	10×10
100	119	160	112	90	10×10
125	145	210	128	108/122	14×14
150	167	210	142	110/132	14×14
200	217.7	315	183	120/134	17×17
250	268.5	315	210	142	19×19
300	319	500	257	162	19×19

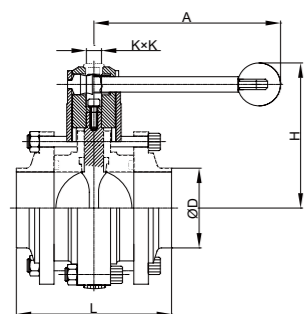
DIN Thread Butterfly Valve with Pull Handle



JOV-BFHMR4-33-D

Size	Rd	A	H	L	K×K
25	Rd52×1/6"	135	68	68	8×8
32	Rd58×1/6"	135	70	68	8×8
40	Rd65×1/6"	135	74	72	8×8
50	Rd78×1/6"	135	82	76	10×10
65	Rd95×1/6"	135	94	80	10×10
80	Rd110×1/4"	160	102	90	10×10
100	Rd130×1/4"	160	112	100	10×10
125	Rd160×1/4"	210	128	143	14×14
150	Rd190×1/4"	210	142	160	14×14

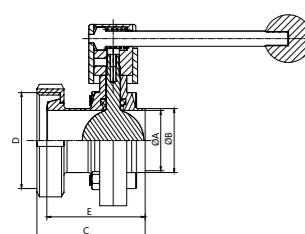
DIN



JOV-BFH3PMR4-11-D

DIN Three-Piece Weld Butterfly Valve with Pull Handle

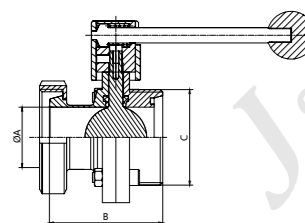
DIN	L	D	H	A	K×K
25	100	28	68	135	8×8
32	100	34	70	135	8×8
40	100	40	74	135	8×8
50	104	52	82	135	10×10
65	108	70	94	135	10×10
80	110	85	102	160	10×10
100	116	104	112	160	10×10
125	138	129	128	210	14×14
150	150	154	142	210	14×14
200	162	204	183	315	17×17
250	210	254	210	315	19×19
300	240	304	257	500	19×19



JOV-BFHMR4-13N-D

DIN Weld/Union Butterfly Valve

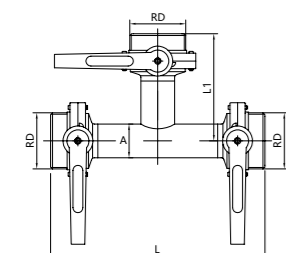
Size	A	B	C	E	D
25	25	28	78	70	RD52×1/6"
32	31	34	83	75	RD58×1/6"
40	37	40	84	76	RD65×1/6"
50	49	52	88	80	RD78×1/6"
65	66	70	97	88	RD95×1/6"
80	81	85	107	95	RD110×1/4"
100	100	104	119	110	RD130×1/4"



JOV-BFHMR4-33NW-D

DIN Thread/Union Butterfly Valve

Size	A	B	C
25	25	79	RD52×1/6"
32	31	85	RD58×1/6"
40	37	88	RD65×1/6"
50	49	92	RD78×1/6"
65	66	100	RD95×1/6"
80	81	110	RD110×1/4"
100	100	130	RD130×1/4"

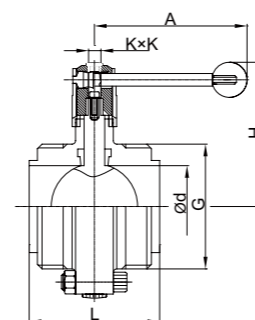


JOV-3WBFHM-33-D

Three-Way Thread Butterfly Valve

Size	A	RD	L	L1
25	28	RD52×1/6"	214	107
32	34	RD58×1/6"	224	112
40	40	RD65×1/6"	238	119
50	52	RD78×1/6"	262	131
65	70	RD95×1/6"	292	146
80	85	RD110×1/4"	352	176
100	104	RD130×1/4"	378	189

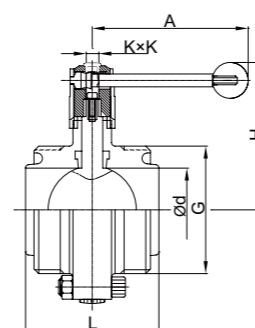
IDF/RJT



JOV-BFHMR4-33-ID

IDF Thread (Male) Butterfly Valve

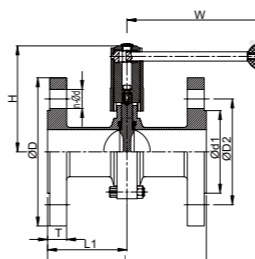
Size	d	G	L	A	H	K×K
1"	22.4	37.1×1/8TACME	72	135	68	8×8
1 1/2"	35.1	50.6×1/8TACME	76	135	72	8×8
2"	47.8	64.1×1/8TACME	82	135	79	10×10
2 1/2"	59.5	77.6×1/8TACME	86	135	86	10×10
3"	72.2	91.1×1/8TACME	90	135	96	10×10
4"	97.6	118.2×1/8TACME	110	160	110	10×10



JOV-BFHMR4-33-R

RJT Thread (Male) Butterfly Valve

Size	d	G	L	A	H	K×K
1"	22.2	45.7×1/8TWHIT	80	135	68	8×8
1 1/2"	34.9	58.4×1/8TWHIT	80	135	72	8×8
2"	47.6	72.7×1/6TWHIT	84	135	79	10×10
2 1/2"	60.3	85.4×1/6TWHIT	84	135	86	10×10
3"	73	98.1×1/6TWHIT	84	135	96	10×10
4"	97.5	123.8×1/6TWHIT	104	160	110	10×10

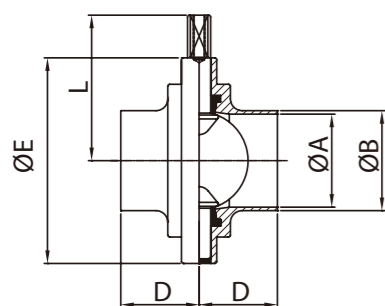


JOV-BFHMR4-44-D

Sanitary Butterfly Valve with Flange End

DN	d1	d2	D	L	T	H	W	n-Ød
15	45	65	90	135	86	117	135	4-14
20	55	75	100	135	86	117	135	4-14
25	65	85	110	135	86	117	135	4-14
32	78	100	130	135	86	119	135	4-18
40	85	110	140	135	86	121	135	4-18
50	100	125	155	150	96	128	135	4-18
65	120	145	175	160	104	140	135	4-18
80	135	160	190	160	108	140	160	8-18
100	155	180	213	160	120	145	160	8-18
125	185	210	240	180	150	164	210	8-18
150	210	240	275	200	178	210	210	8-22
200	265	295	330	230	214	315	315	8-22
250	320	350	385	250	241	315	315	12-22
300	375	400	435	250	268	500	500	12-22

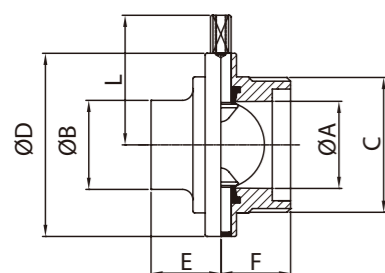
Wine Macon Butterfly Valve



JOV-BFHW-11-D

Wine Weld/Weld Butterfly Valve

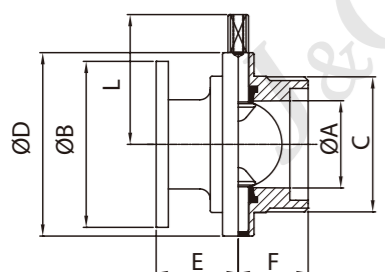
Size	ØA	ØB	D	ØE	L
DN40	40	43	37	90	61
DN50	50	53	40	105	64.3
DN60	60	63	40	112	74.3
DN70	70	73	41	125	77.6
DN80	80	83	40	137	84.8
DN100	100	103	44	157	101.6



JOV-BFHW-13-D

Wine Weld/Male Butterfly Valve

Size	ØA	ØB	C	E	F	ØD	L
DN40	40	43	55×3	37	37	90	61
DN50	50	53	67×3	40	40	105	64.3
DN60	60	63	79×3.5	40	40	112	74.3
DN70	70	73	90×3.5	41	41	125	77.6
DN80	80	83	102×4	40	40	137	84.8
DN100	100	103	125×4	44	45	157	101.6



JOV-BFHW-34-D

Wine Male/Flange Butterfly Valve

Size	ØA	ØB	C	E	F	ØD	L
DN40	40	100	55×3	37	37	90	61
DN50	50	100	67×3	40	40	105	64.3
DN60	60	120	79×3.5	40	40	112	74.3
DN70	70	120	90×3.5	41	41	125	77.6
DN80	80	140	102×4	50	40	137	84.8
DN100	100	140	125×4	55	44	157	101.6

Sanitary Butterfly Valve
PTFE Seat For Powder
(Manual, Pneumatic)



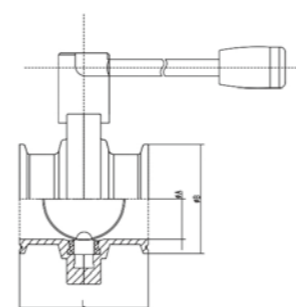
Pneumatic quick-loading fluorine-lined butterfly valve



Fluorine-lined manual butterfly valve

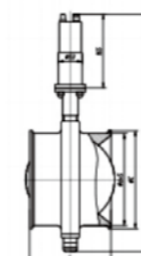


Double-V Dosing valve



JOV-BFHMR4-22-PT

Size	A	B	L
40	38	50.5	66
50	50	64	72
65	66	91	76
80	81	106	80
100	100	119	84
125	125	155	96
150	150	183	110
200	200	233.5	120
250	250	268.5	140
300	300	319.5	140



JOV-BFH-22-PTP

DIN	NPS	H	L	K	C	DIN 11850	ASTM-BPE	ISO 1127	BS 4825	GB/T 17395
						Series2	series1	series1	series1	series1
						Ød×s	Ød×s	Ød×s	Ød×s	Ød×s
DN80	3.0"	361	100	160	91	85×2	76.2×1.65	88.9×2.6	76.2×1.6	89×2
DN100	4.0"	382	100	188	119	104×2	101.6×2.11	114.3×2.6	101.6×2	108×2
DN120	5.0"	446	130	235	155	129×2	127×2.11	139.7×2.6	114.3×2	133×2
DN150	6.0"	446	130	235	166.8	154×2	152.4×2.77	168.3×2.6	139.7×2	159×2
DN200	8.0"	520	180	295	217.7	204×2	203.2×2.77	219.1×2.6	168.3×2.6	219×2
DN250	10.0"	675	200	390	268.5	254×2	254×2.77	273×2.9	219.3×2.6	273×2

C-TOP Control Head

Application

The C-top controller with AS communication is designed for automatic valves. It is suitable for pneumatic butterfly valve, reversing valve, ball valve, anti-mixing valve, seat valve and other straight stroke actuators. (maximum travel distance $\leq 62\text{mm}$)

Working Principle

C-Top is a pneumatic control head used to ensure optimal control of our valves. It is compatible with most PLC (programmable logic controller) automation systems, digital communications, or bus (As-wiring).

It is mounted on the valve's pneumatic actuator. It receives a signal from the control panel or PLC to control the valve and sends the signal to the PLC or control panel to indicate its status/position.

C-Top is a signal and instruction device that contains signals and instructions for controlling all types of process valves (pistons) with the following functions:

Pneumatic and electrical control of valves;

Position indicator with feedback;

(AS-Interface) Possibility of bus communication;

C-top has three signal light-emitting diodes that can provide information about valve status at any time:

Green light: Indicates that the valve is in an open position

Red light: Indicates that the valve is in the closed position

Yellow light: Indicates that position 3 has been activated

(e.g. anti-mixing valve)

Material

Base: reinforced PPO black

Top cover: clear, blue

Seal: EPDM

Weight: 0.5 KG



C-TOP Control Head

Pneumatic Parts

Air inlet: insert connector for G1/8"-6/4 pipes

Exhaust outlet: G1/8" - silencer

Air outlet: insert connector or plug for G1/8"-6/4 pipes

Medium: compressed air

Temperature: $\leq 50^\circ\text{C}$

Pressure of work: 0.15 to 0.7 Mpa (22-102 PSI)

Traffic: 200NI/min (0.6Mpa, 20°C, 0.1Mpa Pressure range)

Operation:

Minimum stroke induction height 30mm

Maximum stroke induction height 92mm

Minimum operating height: 18mm

Solenoid valve

Up to three solenoid valves are available

Type: one solenoid valve (normally open/normally closed)

Two solenoid valves (double acting)

Three solenoid valves (anti-mixing valve)

Air pressure: 0.15 to 0.7 Mpa (22-102 PSI)

Power: DC 0.55W

DC: 1.9VA

Reaction time: $\leq 25\text{ms}$

Optical index: red



