

J&O[®]

J&O FLUID CONTROL CO., LIMITED

Sanitary Check Valve

J&O[®]

J&O FLUID CONTROL CO., LIMITED

Address: Binhai ETDZ, 5 Road, Longwan, Wenzhou, China. 325000

Tel: +86 577 8663 2750

Fax: +86 577 8663 2850

Mob./WhatsApp: +86 186 5778 5727

Site: www.sanitary-valves.com

Email: Info@jo-pv.com

With more than 15 years of market experiences, we have become the leading supplier service for pharmaceutical, chemical, food, Beverage and Lithium battery companies

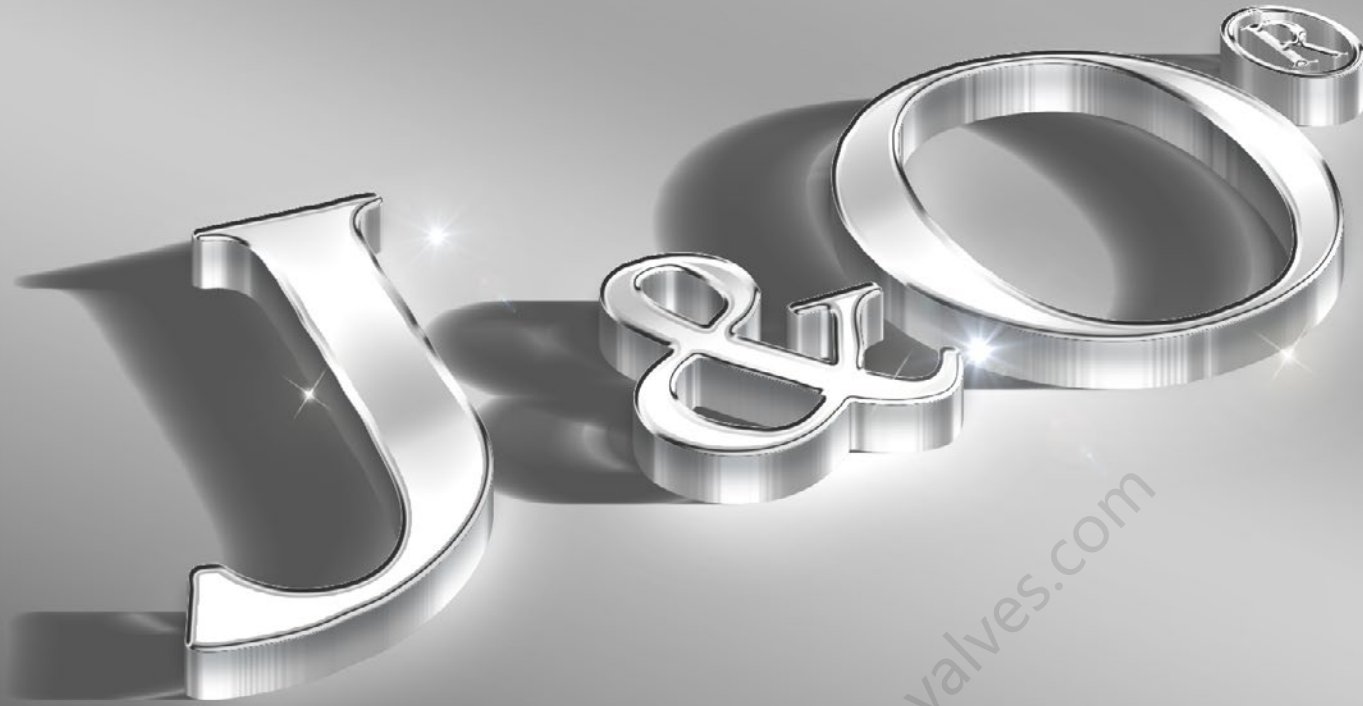


Site Code



WhatsApp Code

J&O BRAND, RELIABLE QUALITY FOR YOU
CE&ISO 9001:2015 CERTIFIED ACQUIRED
15 YEARS FLUID SOLUTION EXPERIENCES
EXPORTING TO OVER 40 COUNTRIES
EXCELLENT VALUE-ADDED SERVICE.



We focus on Details
We Make Different
J&O Brand, that can be trust.

J&O PROFILE

J&O Fluid Control Co., Limited established in 2008, a leading Manufacturer and Supplier of high quality hygienic stainless steel flow control equipments.

J&O services the Food, Dairy, Beverage, Cosmetic, Pharmaceutical, Biological engineering, Lithium battery, Semiconductor, Water treatment, Petroleum and Chemical industries.

J&O product series consists of sanitary stainless steel Valves & Fittings:

- >>Sanitary Stainless Steel Pumps
- >>Sanitary Stainless Steel Valves
- >>Stainless Steel Tank Accessories
- >>Stainless Steel Pipe Fittings
- >>Stainless Steel Flanges
- >>Stainless Steel Double Ferrule Tube Fittings
- >>Hydraulic Pneumatic Quick Coupling
- >>Carbon Steel Pipe Fittings
- >>Customized Valve and Fittings

Through the years, "Perfection" has been the only goal we pursue. In order to satisfy customers, with continuous efforts, we are working towards perfection through a Quality Assurance System. With persistence and effort, we have become one of the leading enterprises of sanitary valves and pipe fittings in China.

Our organization is dedicated to provide our customers with best service of every aspect. We strongly believe, that the friendship and trust given by our customers, is the great treasure we have.

J&O[®]
J&O FLUID CONTROL CO., LIMITED

Certificate



Plant & Producing



Testing Machine



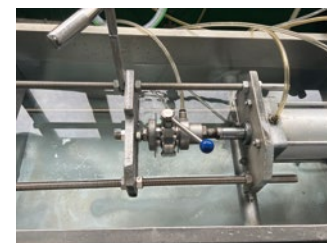
Actuator Testing



Helium Leak Detector



Pressure Test for Large Valve



Pressure Test for Small Valve

Check Valve/ No Return Valve

Materials

Steel parts: Stainless steel SS316(L)

Seal rings: EPDM Rubber or Silicone/Viton (FKM)

Finish: OD ≤ 0.8 , ID ≤ 0.8 or 0.4μm

Connections

The valve is available with welding ends for tubing according to 3A, SMS, BS, DIN 11851

Technical data

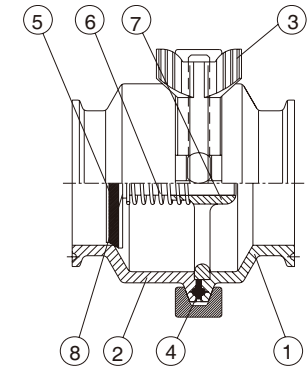
Required different pressure for opening the valve fitted in a vertical pipe, as shown in fig.3,

the open pressure Max. product pressure: 1000kpa(10bar)

Material grades

Gasket-Body:EPDM/Silicone/Viton (FKM)/NBR/PTFE

Flow Area-EPDM/Silicone/Viton (FKM)



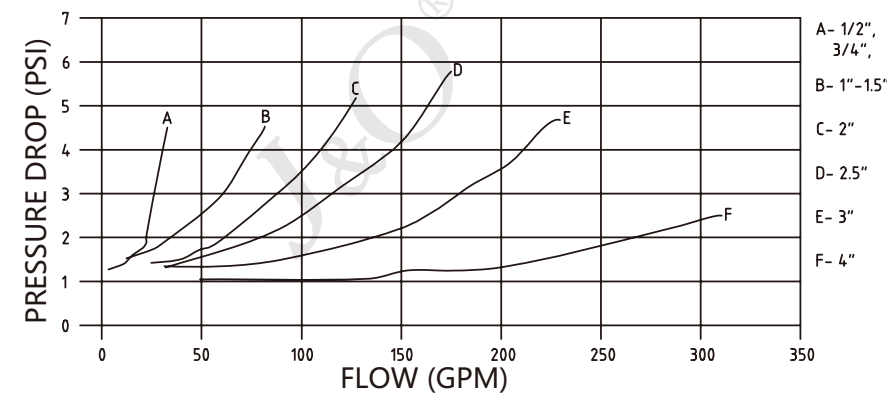
NO.	Name
1	Disc
2	ST.ST Spring
3	Seal-Ring
4	13PG
5	Clamp
6	Long Body
7	Short Body
8	Flow Support Plate



Sanitary Check Valve

Our Core Values: Team, Details, Altruism, Innovation and Embrace Change.

SPRING CHECK VALVE flow rate (fig 3)



Note:
For the diagram the following applies:
Medium: Water(20°C)

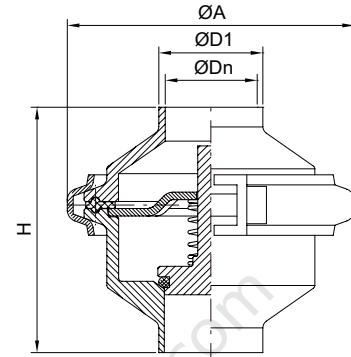
Oper Pressure

(PSI)

1/2"	3/4"	1"	1 1/2"	2"	2 1/2"	3"	4"
0.5	0.5	3.0	1.6	0.6	1.3	0.8	0.9

Open Pressure (fig. 1)

Weld Check Valve



JOV-CH001-11

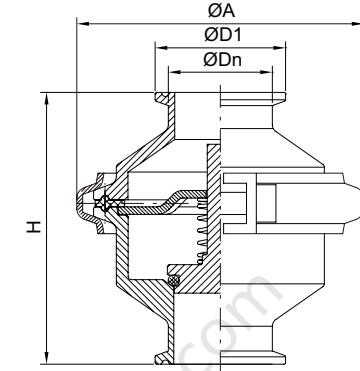
DIN

Size	DN	D1	A	H
DN15	15	18	87	81
DN20	19	22	87	81
DN25	25	28	87	81
DN32	31	34	87	81
DN40	37	40	87	81
DN50	49	52	100	91
DN65	66	70	115	95
DN80	81	85	128	101
DN100	100	104	164	110
DN125	125	129	195	130
DN150	150	154	216	150

SMS/3A

Size	DN	D1	A	H
1/2"	9.4	9.4	87	81
3/4"	15.8	15.8	87	81
1"	22.1	22.1	87	81
1 1/4"	28.5	28.5	87	81
1 1/2"	34.8	34.8	87	81
2"	47.5	47.5	100	91
2 1/2"	60.2	60.2	115	95
3"	72.9	72.9	128	101
4"	97.6	97.6	164	110

Tri-Clamp Check Valve



JOV-CH001-22

DIN

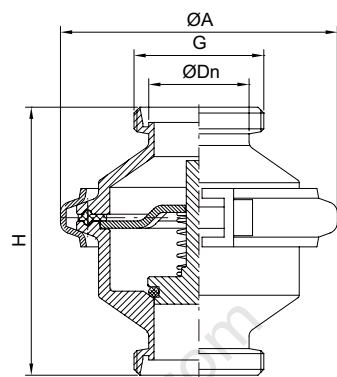
Size	DN	D1	A	H
DN15	15	34	87	106.4
DN20	19	34	87	106.4
DN25	25	50.5	87	106.4
DN32	31	50.5	87	106.4
DN40	37	50.5	87	106.4
DN50	49	64	100	116.4
DN65	66	91	115	120.4
DN80	81	106	128	126.4
DN100	100	119	164	141.8
DN125	125	145	180	150
DN150	150	154	216	158

SMS/3A

Size	DN	D1	A	H
1/2"	9.4	25.4	87	106.4
3/4"	15.8	25.4	87	106.4
1"	22.1	50.5	87	106.4
1 1/4"	28.5	50.5	87	106.4
1 1/2"	34.8	50.5	87	106.4
2"	47.5	64	100	116.4
2 1/2"	60.2	77.5	115	120.4
3"	72.9	91	128	126.4
4"	97.6	119	164	141.8



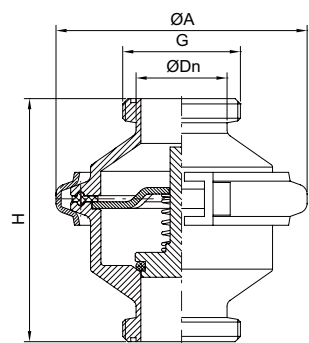
Thread Check Valve



JOV-CH001-33-D

DIN

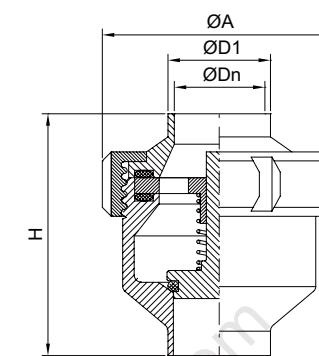
Size	Dn	A	H	G
DN15	15	87	103	RD34×1/8
DN20	19	87	107	RD44×1/6
DN25	25	87	109	RD52×1/6
DN32	31	87	111	RD58×1/6
DN40	37	87	111	RD65×1/6
DN50	49	100	129	RD78×1/6
DN65	66	115	139	RD95×1/6
DN80	81	128	151	RD110×1/4
DN100	100	164	175	RD130×1/4



SMS

Size	Dn	A	H	G
3/4"	15.8	87	107	RD36×1/8
1"	22.1	87	107	RD40×1/6
1 1/4"	28.5	87	107	RD60×1/6
1 1/2"	34.8	87	111	RD70×1/6
2"	47.5	100	127	RD85×1/6
2 1/2"	60.2	115	141	RD98×1/6
3"	72.9	128	151	RD105×1/6
3 1/2"	85	164	153	RD125×1/4
4"	97.6	164	173	RD132×1/4

Union Type Welding Check Valve



JOV-CH003-11

DIN

Size	DN	D1	A	H
DN25	25	28	63	70
DN32	31	34	78	75
DN40	37	40	78	75
DN50	49	52	92	80
DN65	66	70	112	90
DN80	81	85	148	115
DN100	100	104	178	147



SMS/3A

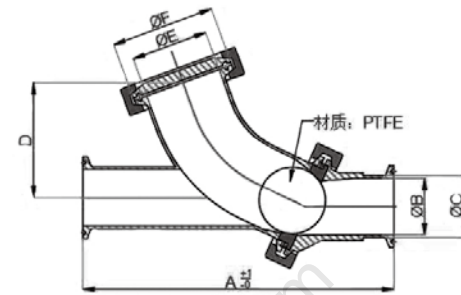
Size	DN	D1	A	H
1"	22.1	25.4	63	70
1 1/4"	28.5	31.8	78	75
1 1/2"	34.8	38.1	78	75
2"	47.5	50.8	92	85
2 1/2"	60.2	63.5	112	90
3"	72.9	76.2	148	100
4"	97.6	101.6	178	155

Sanitary Check Valve

J&O FLUID CONTROL CO., LIMITED

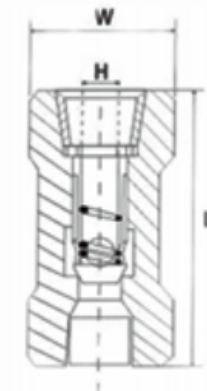
J&O®

Sanitary Ball Flow Type Check Valve



Size	A	B	c	D	E	F
1 1/2"	190.5	34.8	38.1	83.82	47.5	64
2"	215.9	47.5	50.8	99.06	59.3	77.5
2 1/2"	254	60.2	63.5	114.3	72.9	91
3"	292.1	72.9	76.2	134.62	97.4	119

High Pressure Check Valve 6000PSI



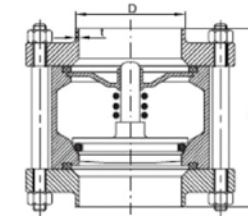
Size	L	H	W
1/4	59	12	20
3/8	61	15.5	22
1/2	67	19	27
3/4	75	24	32
1	100	31	40
1-1/4	103	38.5	50
1-1/2	109	45	60
2	111	56	72

Sanitary Check Valve

J&O FLUID CONTROL CO., LIMITED

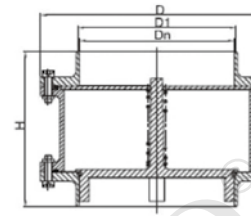
J&O®

Sanitary Flange Type Check Valve

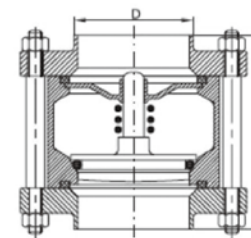


JOV-CH004-11-D

Size	H	D	t
DN15	70	18	19
DN20	70	22	23
DN25	70	28	29
DN32	75	34	35
DN40	75	40	41
DN50	85	52	53
DN65	95	70	-
DN80	105	85	-
DN100	120	104	-



Size	H	D	D1	Dn
DN125	150	205	129	125
DN150	156	235	154	150
DN200	200	300	204	200



Size	H	D
3/4"	70	19
1"	70	25.4
1 1/4"	75	31.8
1 1/2"	75	38.1
2"	85	50.8
2 1/2"	95	63.5
3"	105	76.2
3 1/2"	105	89
4"	120	101.6