

# J&O®

J&O FLUID CONTROL CO., LIMITED

## Flange

# J&O®

J&O FLUID CONTROL CO., LIMITED

Address: Binhai ETDZ, 5 Road, Longwan, Wenzhou, China. 325000

Tel: +86 577 8663 2750

Fax: +86 577 8663 2850

Mob./WhatsApp: +86 186 5778 5727

Site: [www.sanitary-valves.com](http://www.sanitary-valves.com)

Email: [Info@jo-pv.com](mailto:Info@jo-pv.com)

With more than 15 years of market experiences, we have become the leading supplier service for pharmaceutical, chemical, food, Beverage and Lithium battery companies



Site Code



WhatsApp Code

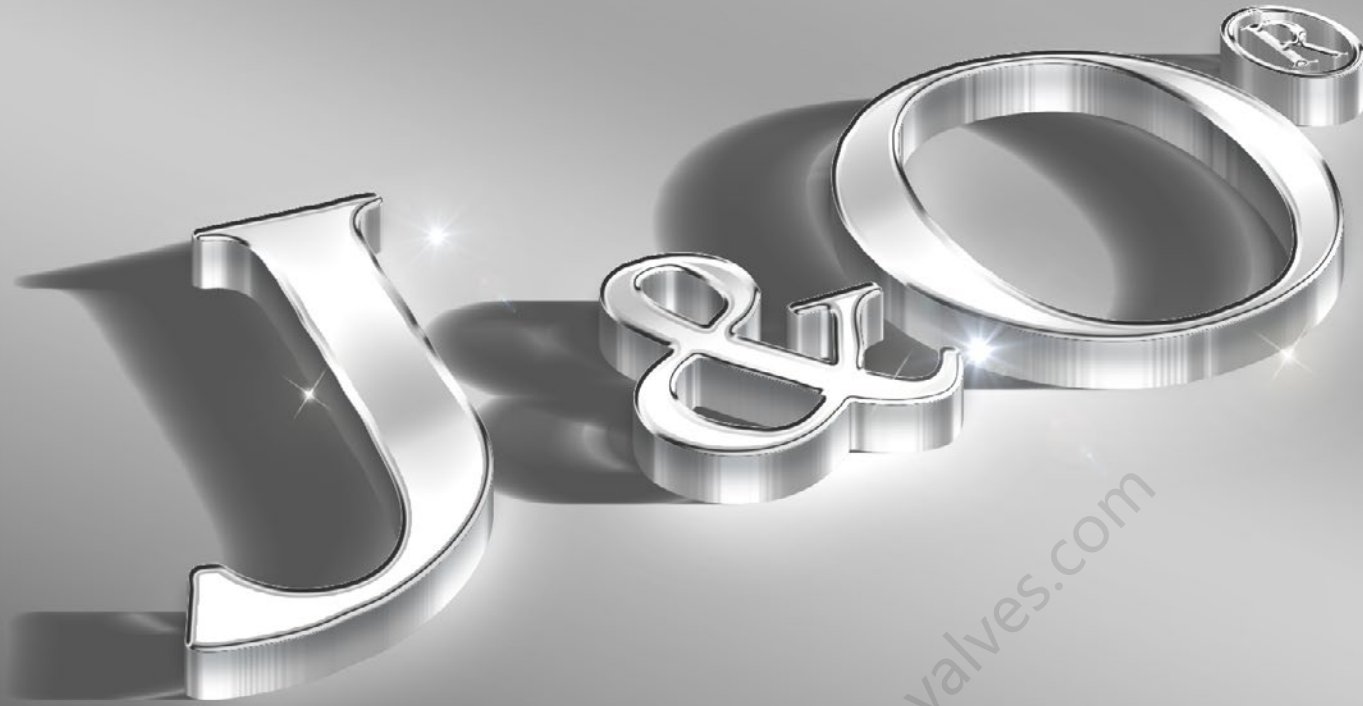
J&O BRAND, RELIABLE QUALITY FOR YOU

CE&ISO 9001:2015 CERTIFIED ACQUIRED

15 YEARS FLUID SOLUTION EXPERIENCES

EXPORTING TO OVER 40 COUNTRIES

EXCELLENT VALUE-ADDED SERVICE.



We focus on Details  
We Make Different  
J&O Brand,that can be trust.

## J&O PROFILE

J&O Fluid Control Co., Limited established in 2008, a leading Manufacturer and Supplier of high quality hygienic stainless steel flow control equipments.

J&O services the Food, Dairy, Beverage, Cosmetic, Pharmaceutical, Biological engineering, Lithium battery, Semiconductor, Water treatment, Petroleum and Chemical industries.

J&O product series consists of sanitary stainless steel Valves & Fittings:

- >>Sanitary Stainless Steel Pumps
- >>Sanitary Stainless Steel Valves
- >>Stainless Steel Tank Accessories
- >>Stainless Steel Pipe Fittings
- >>Stainless Steel Flanges
- >>Stainless Steel Double Ferrule Tube Fittings
- >>Hydraulic Pneumatic Quick Coupling
- >>Carbon Steel Pipe Fittings
- >>Customized Valve and Fittings

Through the years, "Perfection" has been the only goal we pursue. In order to satisfy customers, with continuous efforts, we are working towards perfection through a Quality Assurance System. With persistence and effort, we have become one of the leading enterprises of sanitary valves and pipe fittings in China.

Our organization is dedicated to provide our customers with best service of every aspect. We strongly believe, that the friendship and trust given by our customers, is the great treasure we have.

**J&O<sup>®</sup>**  
J&O FLUID CONTROL CO., LIMITED



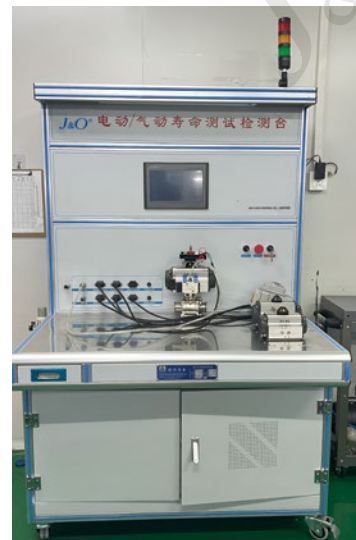
# Certificate



# Plant & Producing



# Testing Machine



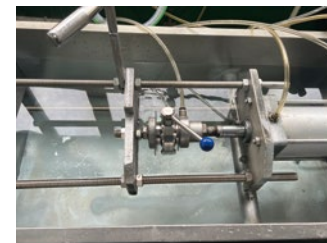
Actuator Testing



Helium Leak Detector



Pressure Test for Large Valve



Pressure Test for Small Valve



## Flange



### brief introduction

Flange, also known as flange flange or flange. A flange is a component that connects shafts and is used for connecting pipe ends; Also useful is a flange on the inlet and outlet of the equipment, used for connecting between two devices, such as a gearbox flange. Flange connection or flange joint refers to a detachable connection consisting of flanges, gaskets, and bolts connected to each other as a combination sealing structure. Pipeline flange refers to the flange used for piping in pipeline devices, and when used on equipment, it refers to the inlet and outlet flanges of the equipment. There are holes on the flange, and bolts make the two flanges tightly connected. Seal the flanges with gaskets. The flange is divided into threaded connection (threaded connection) flange, welding flange, and clamp flange. Flanges are used in pairs, and threaded flanges can be used for low-pressure pipelines. Welding flanges can be used for pressures of over four kilograms. Add a sealing gasket between the two flange plates and tighten them with bolts. The thickness of flanges under different pressures varies, and the bolts used are also different. When connecting water pumps and valves to pipelines, the local parts of these equipment are also made into corresponding flange shapes, also known as flange connections. Any connecting part that is closed and bolted around two planes is generally referred to as a "flange", such as the connection of a ventilation duct. This type of part can be referred to as a "flange type part". But this connection is only a partial part of the equipment, such as the connection between the flange and the water pump, so it is not easy to call the water pump a "flange type part". Smaller parts such as valves can be called "flange parts".

### materials

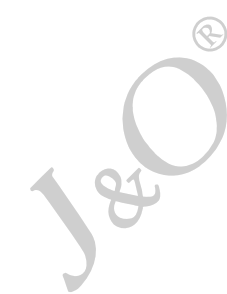
WCB (carbon steel), LCB (low-temperature carbon steel), LC3 (3.5% nickel steel), WC5 (1.25% chromium 0.5% molybdenum steel), WC9 (2.25% chromium), C5 (5% chromium 0.5% molybdenum), C12 (9% chromium 1% molybdenum), CA6NM (4 (12% chromium steel), CA15 (4) (12% chromium), CF8M (316 stainless steel), CF8C (347 stainless steel), CF8 (304 stainless steel), CF3 (304L stainless steel), CF3M (316L stainless steel), CN7M (alloy steel), M35-1 (Monel) N7M (Hastelloy B), CW6M (Hastelloy C), CY40 (Inconel), etc.

# Flange

Our Core Values: Team, Details, Altruism, Innovation and Embrace Change.

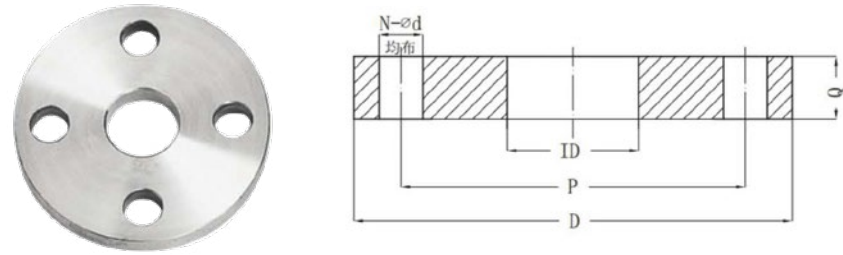


www.sanitary-valves.com



www.sanitary-valves.com

### AS2129



JOFL-PLAS2129

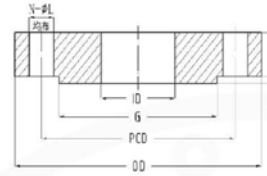
Table D						
DN	ID	O	Q	P	N	d
15	22.3	95	5	67	4	14
20	27.6	100	5	73	4	14
25	34.5	115	5	83	4	14
32	43.1	120	6	87	4	14
40	49.5	135	6	98	4	14
50	61.9	150	8	114	4	18
65	74.6	165	8	127	4	18
80	90.6	185	10	146	4	18
90	103.3	205	10	165	4	18
100	116	215	10	178	4	18
125	143.7	255	13	210	8	18
150	170.6	280	13	235	8	18
200	221.4	335	13	292	8	18
250	276.3	405	16	356	8	22
300	327.1	455	20	406	12	22
350	359.1	525	20	470	12	26
375	410.4	550	20	495	12	26
400	410.4	580	20	521	12	26
450	461.7	640	20	584	12	26
500	513	705	30	641	16	26
550	564.3	760	30	699	16	30
600	615.9	825	32	756	16	30
700	717.5	910	38	845	20	30
750	768.3	995	38	927	20	33
800	819.1	1060	38	984	20	36
850	869.9	1090	50	1016	20	36
900	920.7	1175	50	1092	24	36

Table E						
DN	ID	O	Q	P	N	d
15	22.3	95	6	67	4	14
20	27.6	100	6	73	4	14
25	34.5	115	7	83	4	14
32	43.1	120	8	87	4	14
40	49.5	135	9	98	4	14
50	61.9	150	10	114	4	14
65	74.6	165	10	127	4	18
80	90.6	185	11	146	4	18
90	103.3	205	12	165	8	18
100	116	215	13	178	8	18
125	143.7	255	13	210	8	18
150	170.6	280	16	235	8	22
200	221.4	335	20	292	8	22
250	276.3	405	20	356	12	22
300	327.1	455	25	406	12	26
350	359.1	525	30	470	12	26
375	410.4	550	32	495	12	26
400	410.4	580	32	521	12	26
450	461.7	640	38	584	16	26
500	513	705	38	641	16	26
550	564.3	760	44	699	16	30
600	615.9	825	50	756	16	33
700	717.5	910	52	845	20	33
750	768.3	995	54	927	20	36
800	819.1	1060	54	984	20	36
850	869.9	1090	57	1016	20	36
900	920.7	1175	64	1092	24	36

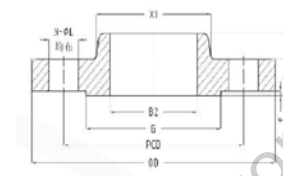
Table F						
DN	ID	O	Q	P	N	d
15	22.3	95	10	67	4	14
20	27.6	100	10	73	4	14
25	34.5	120	10	87	4	18
32	43.1	135	13	98	4	18
40	49.5	140	13	105	4	18
50	61.9	165	16	127	4	18
65	74.6	185	16	146	8	18
80	90.6	205	16	146	8	18
90	103.3	215	20	178	8	18
100	116	230	20	191	8	18
125	143.7	280	20	235	8	22
150	170.6	305	20	260	12	22
200	221.4	370	25	324	12	22
250	276.3	430	30	381	12	26
300	327.1	490	32	438	16	26
350	359.1	550	32	495	16	30
375	410.4	580	38	521	16	30
400	410.4	610	38	552	20	30
450	461.7	675	38	610	20	33
500	513	735	50	673	24	33
550	564.3	785	50	724	24	33
600	615.9	850	57	781	24	36
700	717.5	935	60	857	24	36
750	768.3	1015	67	940	28	36
800	819.1	1060	68	984	28	36
850	869.9	1090	70	1016	32	36
900	920.7	1185	76	1105	32	39

Table H						
DN	ID	O	Q	P	N	d
15	22.3	115	13	83	4	18
20	27.6	115	13	83	4	18
25	34.5	120	13	87	4	18
32	43.1	135	16	98	4	18
40	49.5	140	16	105	4	18
50	61.9	165	20	127	4	18
65	74.6	185	20	146	8	18
80	90.6	205	20	165	8	18
90	103.3	215	20	178	8	18
100	116	230	25	191	8	18
125	143.7	280	30	235	8	22
150	170.6	305	30	260	12	22
200	221.4	370	32	324	12	22
250	276.3	430	38	381	12	26
300	327.1	490	38	438	16	26
350	359.1	550	50	495	16	30
375	410.4	580	50	521	16	30
400	410.4	610	54	552	20	30
450	461.7	675	60	610	20	33
500	513	735	67	673	24	33
550	564.3	785	70	724	24	33
600	615.9	850	76	781	24	36
-	-	-	-	-	-	-
-	-	-	-	-	-	-
-	-	-	-	-	-	-
-	-	-	-	-	-	-

### HG20592-2009



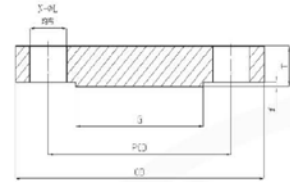
JOFL-PLHG20592



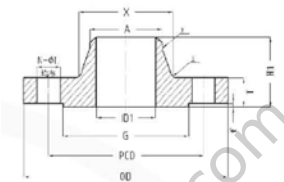
JOFL-SOHG20592

PN10																	
Size	OD	PCD	N	L	G	ID	S	B2	A	X	X1	f	T1	T2/T3	T4	H3	H2
15	95	65	4	14	45	19	2	19	18	32	35	2	14	16	16	38	22
20	105	75	4	14	58	26	2.3	26	25	40	45	2	16	18	18	40	26
25	115	85	4	14	68	33	2.6	33	32	46	52	2	16	18	18	40	28
32	140	100	4	18	78	39	2.6	39	38	56	60	2	18	18	18	42	30
40	150	110	4	18	88	46	2.6	46	45	64	70	2	18	18	18	45	32
50	165	125	4	18	102	59	2.9	59	57	74	84	2	19	18	18	45	28
65	185	145	8	18	122	78	2.9	78	76	92	104	2	20	18	18	45	32
80	200	160	8	18	138	91	3.2	91	89	105	118	2	20	20	20	50	34
100	220	180	8	18	158	110	3.6	110	108	131	140	2	22	20	20	52	40
125	250	210	8	18	188	133	4	133	133	156	168	2	22	22	22	55	44
150	285	240	8	22	212	159	4.5	159	159	184	195	2	24	22	22	55	44
200	340	295	8	22	268	219	6.3	219	219	234	246	2	24	24	24	62	44
250	395	350	12	22	320	273	6.3	273	273	292	298	2	26	26	26	68	46
300	445	400	12	22	370	325	7.1	325	325	342	350	2	26	26	26	68	46
350	505	460	16	22	430	377	7.1	377	377	402	412	2	28	26	26	68	53
400	565	515	16	26	482	426	7.1	426	426	458	475	2	32	26	26	72	57
450	615	565	20	26	532	480	7.1	480	480	510	525	2	36	28	28	72	63
500	670	620	20	26	585	530	7.1	530	530	562	581	2	38	28	28	75	67
600	780	725	20	30	685	630	7.1	630	630	660	678	2	42	28	34	80	75

### HG20592-2009



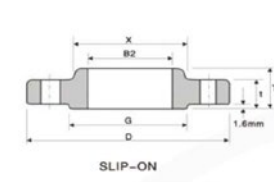
JOFL-BLHG20592



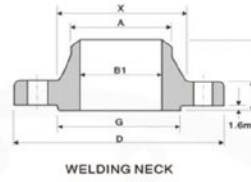
JOFL-WNHG20592

PN16																	
Size	OD	PCD	N	L	G	ID	S	B2	A	X	X1	f	T1	T2/T	T4	H3	H2
15	95	65	4	14	45	19	2	19	18	32	35	2	14	16	16	38	22
20	105	75	4	14	58	26	2.3	26	25	40	45	2	16	18	18	40	26
25	115	85	4	14	68	33	2.6	33	32	46	52	2	16	18	18	40	28
32	140	100	4	18	78	39	2.6	39	38	56	60	2	18	18	18	42	30
40	150	110	4	18	88	46	2.6	46	45	64	70	2	18	18	18	45	32
50	165	125	4	18	102	59	2.9	59	57	74	84	2	19	18	18	45	28
65	185	145	8	18	122	78	2.9	78	76	92	104	2	20	18	18	45	32
80	200	160	8	18	138	91	3.2	91	89	105	118	2	20	20	20	50	34
100	220	180	8	18	158	110	3.6	110	108	131	140	2	22	20	20	52	40
125	250	210	8	18	188	133	4	133	133	156	168	2	22	22	22	55	44
150	285	240	8	22	212	159	4.5	159	159	184	195	2	24	22	22	55	44
200	340	295	12	22	268	219	6.3	219	219	234	246	2	26	24	24	62	44
250	405	355	12	26	320	273	6.3	273	273	292	298	2	29	26	26	70	46
300	460	410	12	26	378	325	7.1	325	325	344	350	2	32	28	28	78	46
350	520	470	16	26	428	377	8	377	377	410	412	2	35	30	30	82	57
400	580	525	16	30	490	426	8	426	426	464	475	2	38	32	32	85	63
450	640	585	20	30	550	480	8	480	480	512	525	2	42	40	40	87	68
500	715	650	20	33	610	530	8	530	530	578	581	2	46	44	44	90	73
600	840	770	20	36	725	630	8.8	630	630	670	678	2	52	54	54	95	83

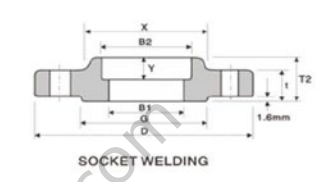
### ASME B16.5



JOFL-SO150



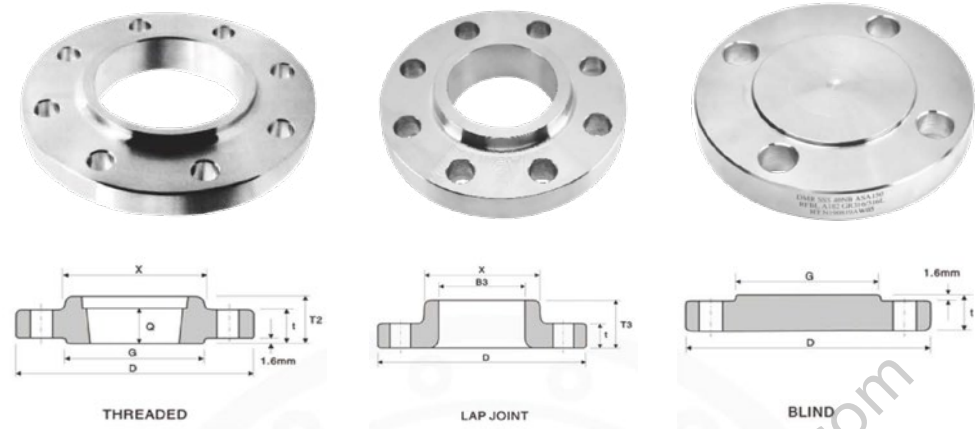
JOFL-WNJ150



JOFL-SW150

150LB													
Size	Outside Diam	OD of RF	Big Neck	Thickness	Inside Diam			High		Small		LJ	Thread Length
					WN	SO/SW	LJ	WN	SO/SH/W	LJ	A		
	D	G	X	T	B1	B2	B3	T1	T2	T3	A	R	Q
1/2"	90	34.9	30	11.2	15.8	22.2	22.9	47.8	15.7	22.9	21.3	3	16
3/4"	100	42.9	38	12.7	20.9	27.7	28.2	52.3	15.7	28.2	26.7	3	16
1"	110	50.8	49	14.3	26.6	34.5	34.9	55.6	17.5	34.9	33.4	3	17
1 1/4"	115	63.5	59	15.9	35.1	43.2	43.7	57.2	20.6	43.7	42.2	5	21
1 1/2"	125	73	65	17.5	40.9	49.5	50	62	22.4	50	48.3	6	22
2"	150	92.1	78	19.1	52.5	61.9	62.5	63.5	25.4	62.5	60.3	8	25
2 1/2"	180	104.8	90	22.3	62.7	74.6	75.4	69.9	28.4	75.4	73	8	29
3"	190	127	108	23.9	77.9	90.7	91.4	69.9	30.2	91.4	88.9	10	30
3 1/2"	215	139.7	122	23.9	90.1	103.4	104.1	71.4	31.8	104.1	101.6	10	32
4"	230	157.2	135	23.9	102.3	116.1	116.8	76.2	33.3	116.8	114.3	11	33
5"	255	185.7	164	23.9	128.2	143.8	144.4	88.9	36.3	144.4	141.3	11	36
6"	280	215.9	192	25.4	154.1	170.7	171.4	88.9	39.6	171.4	168.3	13	40
8"	345	269.9	246	28.6	202.7	221.5	222.2	101.6	44.5	222.2	219.1	13	44
10"	405	323.8	305	30.2	254.6	276.2	277.4	101.6	49.3	277.4	273	13	49
12"	485	381	365	31.8	304.8	327	328.2	114.4	55.6	328.2	323.8	13	56
14"	535	412.8	400	35	336.6	359.2	360.2	127	57.2	360.2	355.6	13	57
16"	595	469.9	457	36.6	387.1	410.5	411.2	127	63.5	411.2	406.4	13	64
18"	635	533.4	505	39.7	438.2	461.8	462.3	139.7	68.3	462.3	457	13	68
20"	700	584.2	559	42.9	489	513.1	514.4	144.5	73.2	514.4	508	13	73
24"	815	692.2	663	47.7	590.6	616	616	152.4	82.6	616	610	13	83

### ASME B16.5



JOFL-TH150

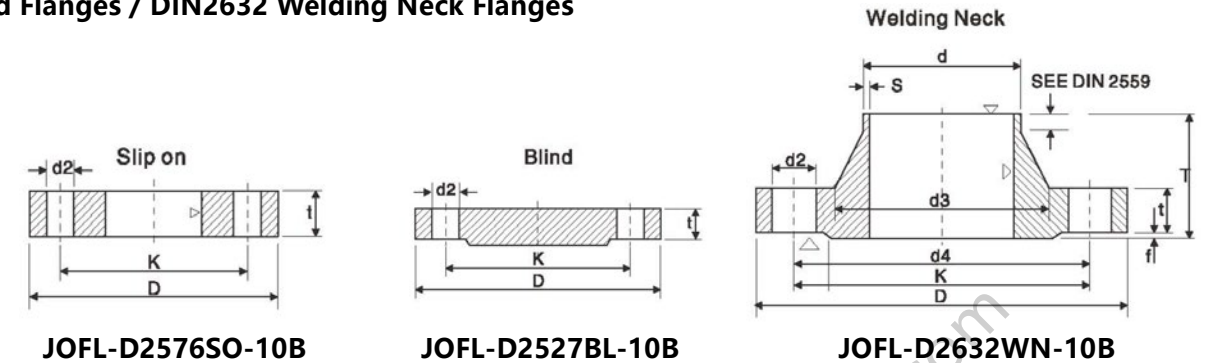
JOFL-LAJ150

JOFL-BL150

Size	Deep Socket Y	150LB											
		Drilling			Bolting			Approximate Weight					
		PCD	Number	Holes diam	Bolts Inch	Bolt/L RF	Stub bole length RF	WN kg	SO/TH kg	LJ Kg	BL kg	SW Kg	
1/2"	10	60.3	4	15.9	1/2	50.8	57.2	-	0.91	0.45	0.45	0.91	0.91
3/4"	11	69.9	4	15.9	1/2	50.8	63.5	-	0.91	0.68	0.68	0.91	0.91
1"	13	79.4	4	15.9	1/2	57.2	63.5	76.2	1.14	0.91	0.91	0.91	0.91
1 1/4"	14	88.9	4	15.9	1/2	57.2	69.9	82.6	1.14	1.14	1.14	1.36	1.36
1 1/2"	16	98.4	4	15.9	1/2	63.5	69.9	82.6	1.81	1.36	1.36	1.36	1.36
2"	17	120.7	4	19.1	5/8	69.9	82.6	95.3	2.72	2.18	2.27	1.82	2.27
2 1/2"	19	139.7	4	19.1	5/8	76.2	88.9	101.6	4.54	3.45	3.63	3.18	3.18
3"	21	152.4	4	19.1	5/8	76.2	88.9	101.6	5.22	4.01	4.09	4.09	3.63
3 1/2"	22	177.8	8	19.1	5/8	76.2	88.9	101.6	5.5	5	4.99	5.9	-
4"	24	190.5	8	19.1	5/8	76.2	88.9	101.6	7.49	5.63	5.45	7.72	-
5"	24	215.9	8	22.2	3/4	82.6	95.3	108	9.53	6.74	5.9	9.08	-
6"	27	241.3	8	22.2	3/4	82.6	101.6	114.3	11.8	7.9	8.17	12.26	-
8"	32	298.5	8	22.2	3/4	88.9	108	120.7	19.07	12.9	12.71	21.34	-
10"	33	362	12	25.4	7/8	101.6	114.3	127	24.52	17.6	16.34	30.42	-
12"	40	431.8	12	25.4	7/8	101.6	120.7	133.4	39.95	27.69	27.24	45	-
14"	41	476.3	12	28.6	1	114.3	133.4	146.1	51.76	37.68	34.96	63.11	-
16"	45	539.8	16	28.6	1	114.3	133.4	146.1	64.47	48.12	47.22	84.9	-
18"	49	577.9	16	31.8	1 1/8	127	146.1	158.8	74.9	40.49	66.28	98.52	-
20"	54	635	20	31.8	1 1/8	139.7	158.8	171.5	89.44	67.19	72.19	128.48	-
24"	64	749.3	20	34.9	1 1/4	152.4	171.5	184.2	121.67	92.62	88.53	188.41	-

### DIN

#### 10Bar Flanges / DIN2576 Slip-On Flanges/DIN2527bl Ind Flanges / DIN2632 Welding Neck Flanges



JOFL-D2576SO-10B

JOFL-D2527BL-10B

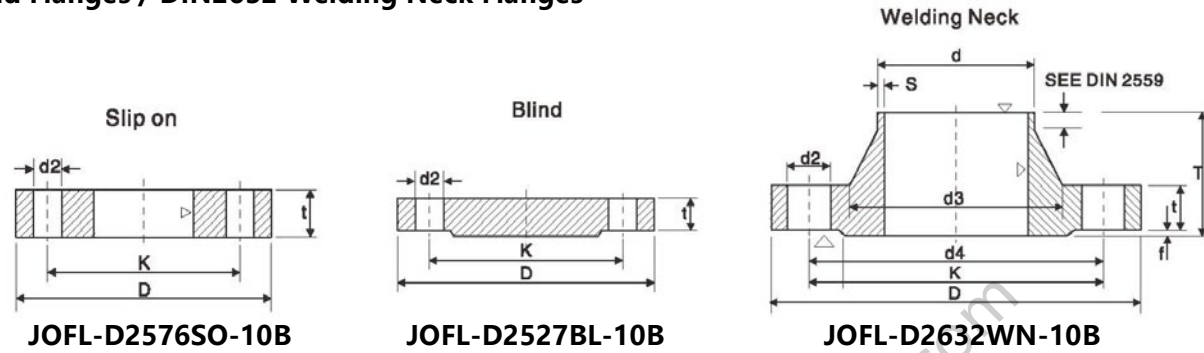
JOFL-D2632WN-10B

10Bar Unit: mm

Nominal Bore	Bore		Common Dimension				Hub				Raised Face	Drilling		Approx Weight(kg)					
	d1	d2	D	t	Welding Neck	Plate	Blind	K	h1	d3	s	r	h2	d4	f	Number of Bolt	d2	Din 2576	Din 2632
10	14	14.5	90	14	14	14	60	35	25	1.8	4	6	40	2	4	14	0.613	0.580	0.63
15	20	21	95	14	14	14	65	35	30	2	4	6	45	2	4	14	0.675	0.648	0.72
	21.3	22															0.669		
20	25	26	105	16	16	16	75	38	38	2.3	4	6	58	2	4	14	0.943	0.952	1.01
	26.9	27.6															0.936		
25	30	31	115	16	16	16	85	38	42	2.6	4	6	68	2	4	14	1.14	1.14	1.23
	33.7	34.4															1.11		
32	38	39	140	16	16	16	100	40	52	2.6	6	6	78	2	4	18	1.66	1.69	0.8
	42.4	43.1															1.62		
40	44.5	45.5	150	16	16	16	110	42	60	2.6	6	7	88	3	4	18	1.89	1.86	2.09
	48.3	49															1.86		
50	57	58.1	165	18	18	18	125	45	72	2.9	6	8	102	3	4	18	2.51	2.53	2.88
	60.3	61.1															2.47		
65	76.1	77.1	185	18	18	18	145	45	90	2.9	6	9	122	3	4	18	3	3.06	3.66
	88.9	90.3															3.79		
80	88.9	90.3	200	20	20	20	160	50	105	3.2	8	10	138	3	8	18	3.79	3.70	4.77
	108	109.6															4.2		
100	114.3	115.9	220	20	20	20	180	52	125	3.6	8	10	158	3	8	18	4.03	4.62	5.65
	133	134.8															5.71		
125	139.7	141.6	250	22	22	22	210	55	150	4	8	12	188	3	8	18	5.46	6.30	8.42
	159	161.1															6.72		
150	168.3	170.5	285	22	22	22	240	55	175	4.5	10	12	212	3	8	22	6.57	7.75	10.4
	193.7	196.1															8.45		
175	193.7	196.1	315	24	24	24	270	60	210	5.4	10	12	242	3	8	22	8.45	9.85	14
	219.1	221.8															9.31		
200	267	270.2	395	26	26	26	350	68	285	6.3	12	16	320	4	12	22	12.5	14.7	24
	273	276.2															11.9		

DIN

10Bar Flanges / DIN2576 Slip-On Flanges/DIN2527bl Ind Flanges / DIN2632 Welding Neck Flanges

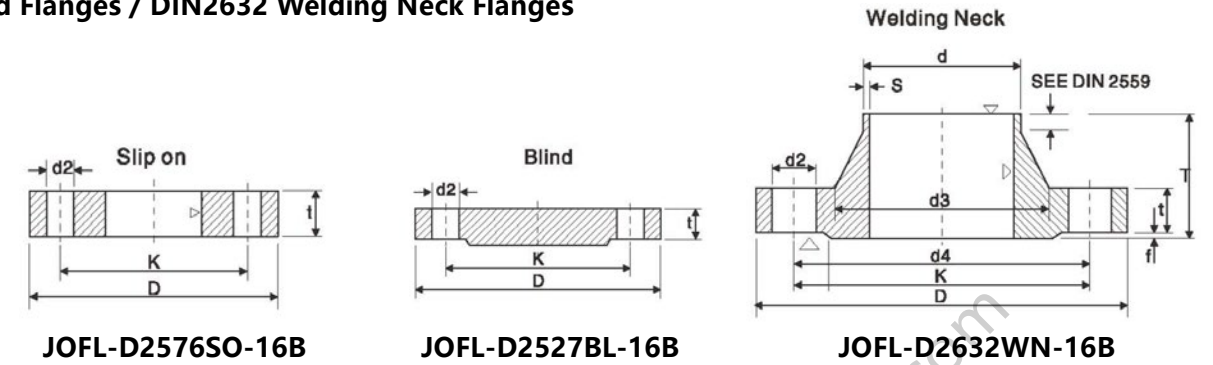


10Bar Unit: mm

Nominal Bore	Bore			Common Dimension				Hub				Raised Face	Drilling	Approx Weight(kg)					
	d1	d2	D	t	K	h1	d3	s	r	h2	d4			f	Number of Bof	d2	Din 2576	Din 2632	Din 2527
300	323.9	327.6	445	26	26	26	400	68	344	7.1	12	16	370	4	12	22	13.8	17.4	31.9
350	355.6	359.7	505	26	28	26	460	68	385	7.1	12	16	430	4	16	22	20.6	21.6	41.9
	368	372.2															19		
400	406.4	411	565	26	32	26	515	72	440	7.1	12	16	482	4	16	26	27.9	26.2	51.2
	419	423.7															25.9		
500	508	513.6	670	28	38	28	620	75	542	7.1	12	16	585	4	20	26	41.1	37.1	77.8
600	610	616.5	780	28	40		726	80	642	7.1	12	18	685	5	20	30	51.87	44.6	
700	711	716	895	30	40		840	80	745	8	12	18	800	5	24	30	65.79	62.4	
800	813	818	1015	32	44		950	90	850	8	12	18	905	5	24	33	90.87	84.1	
900	914	920	1115	34	48		1050	95	950	10	12	20	1005	5	28	33	108.41	98.5	
1000	1016	1022	1230	34	50		1160	95	1052	10	16	20	1110	5	28	36	133.21	115	
1200	1220	1226	1455	38	54		1380	115	1255	11	16	25	1330	5	32	39	188.2	182	
1400	1420	1426	1675	42	60		1590	120	1460	12	16	25	1535	5	36	42	262.14	248	
1600	1620	1626	1915	46	64		1820	130	1665	14	16	25	1760	5	40	48	367.43	347	
1800	1820	1826	2115	50	70		2020	140	1868	15	6	30	1960	5	44	48	447.79	430	
2000	2020	2026	2325	54	76		2230	150	2072	16	16	30	2170	5	48	48	577.77	539	
2200	2270	2226	2550	58	82		2440	160	2275	18	18	35	2370	6	52	56	699.88	658	
2400	2420	2426	2760	62	88		2650	170	2478	20	20	35	2570	6	56	56	844.48	825	
2600	2620	2626	2960	66	94		2850	180	2680	22	22	40	2780	6	60	56	972.23	979	
2800	2820	2826	3180	70	100		3070	190	2882	22	22	40	3000	6	64	56	1187.1	1156	
3000	3020	3026	3405	75	106		3290	200	3085	24	24	45	3210	6	68	62	1422.0	1420	

DIN

16Bar Flanges / DIN2576 Slip-On Flanges/DIN2527bl Ind Flanges / DIN2632 Welding Neck Flanges



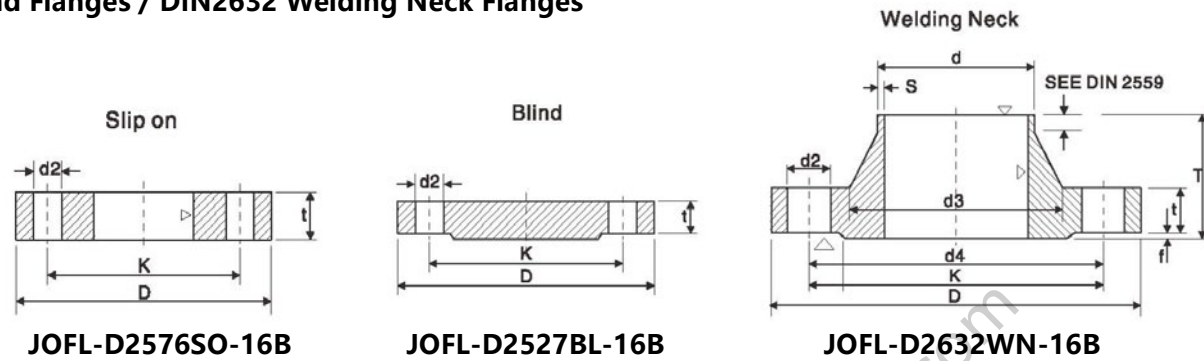
16Bar Unit: mm

Nominal Bore	Bore			Common Dimension				Hub				Raised Face	Drilling	Approx Weight(kg)					
	d1	d2	D	Welding Neck	Plate	Blind	K	h1	d3	s	r			h2	d4	d4	Number of Bof	d2	Din 2576
10	14	14.5	90	14	14	14	60	35	25	1.8	4	6	40	2	4	14	0.613	0.580	0.63
	17.2	17.7															0.605		
15	20	21	95	14	14	14	65	35	30	2	4	6	45	2	4	14	0.675	0.648	0.72
	21.3	22															0.669		
20	25	26	105	16	16	16	75	38	38	2.3	4	6	58	2	4	14	0.943	0.952	1.01
	26.9	27.6															0.936		
25	30	31	115	16	16	16	85	38	42	2.6	4	6	68	2	4	14	1.14	1.14	1.23
	33.7	34.4															1.11		
32	38	39	140	16	16	16	100	40	52	2.6	6	6	78	2	4	18	1.66	1.69	0.8
	42.4	43.1															1.62		
40	44.5	45.5	150	16	16	16	110	42	60	2.6	6	7	88	3	4	18	1.89	1.86	2.09
	48.3	49															1.86		
50	57	58.1	165	18	18	18	125	45	72	2.9	6	8	102	3	4	18	2.51	2.53	2.88
	60.3	61.1															2.47		
65	76.1	77.1	185	18	18	18	145	45	90	2.9	6	9	122	3	4	18	3	3.06	3.66
	88.9	90.3															3.79		
80	108	109.6	200	20	20	20	160	50	105	3.2	8	10	138	3	8	18	4.2	4.62	5.65
	114.3	115.9															4.03		
100	133	134.8	220	22	22	22	210	55	150	4	8	12	188	3	8	18	5.71	6.30	8.42
	139.7	141.6															5.46		
125	159	161.1	285	22	22	22	240	55	175	4.5	10	12	212	3	8	22	6.72	7.75	10.4
	168.3	170.5															6.57		
150	193.7	196.1	315	24	24	24	270	60	210	5.4	10	12	242	3	8	22	8.45	9.85	14
	219.1	221.8															9.31		
200	267	270.2	405	26	26	26	355	70	285	6.3	12	16	320	3	12	26	13.4	15.6	24.9
	273	276.2															17.4		
250	323.9	327.6	395	28	28	28	410	78	340	7.1	12	16	378	4	12	26	17.4	22	35.1
	323.9	327.6															17.4		



DIN

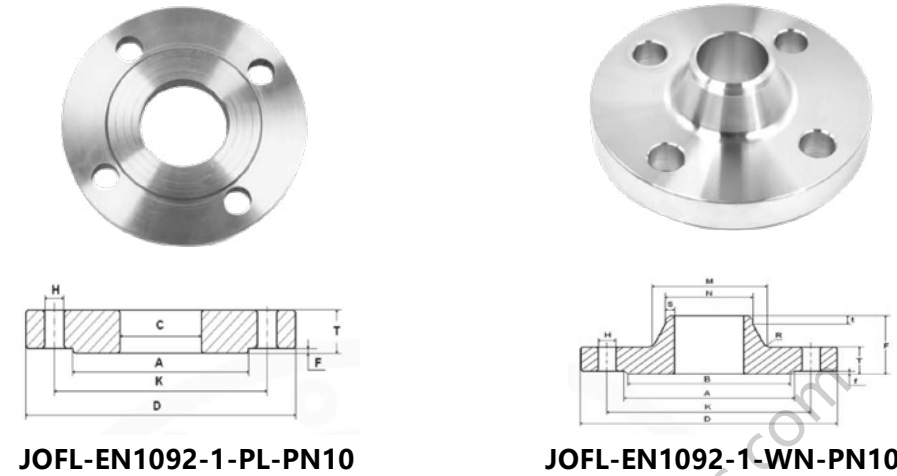
16Bar Flanges / DIN2576 Slip-On Flanges/DIN2527bl Ind Flanges / DIN2632 Welding Neck Flanges



16Bar Unit: mm

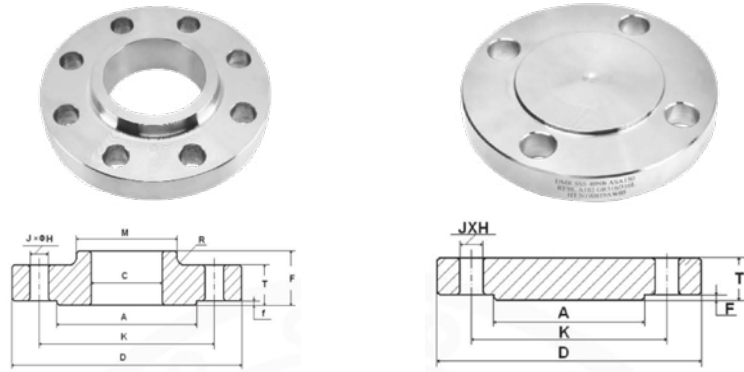
Nominal Bore	Bore		Common Dimension					Hub				Raised Face	Drilling		Approx Weight(kg)				
	d1	d2	D	t	K	h1	d3	s	r	h2	d4	f	Number of Bof	d2	Din 2576	Din 2632	Din 2527		
350	355.6 368	359.7 372.2	520	30	30	30	470	82	390	8	12	16	438	4	16	26	26.8	28.8	47.8
400	406.4 419	411 423.7	580	32	32	32	525	85	445	8	12	16	490	4	16	30	30.9	36.3	63.5
500	508	513.6	715	34	38	34	650	90	548	8	12	16	610	4	20	33	54	61	102
600	610	616.5	840	36	42	36	770	95	652	8.8	12	18	725	4	20	36	77.58	75.4	149.7
700	711	716	910	36	44	36	840	100	755	8.8	12	18	795	5	24	36	77.13	77	173.7
800	813	818	1025	38	50	38	950	105	855	10	12	20	900	5	24	39	106.35	101	235.5
900	914	920	1125	40	54	40	1050	110	955	10	12	20	1000	5	28	39	125.39	122	298.8
1000	1016	1022	1255	42	60	42	1170	120	1058	10	12	22	1115	5	28	42	177.99	162	390.7
1200	1220	1226	1485	48	68	48	1390	130	1262	12.5	16	30	1330	5	32	48	263.46	243	624.8
1400	1420	1426	1685	52	74	52	1590	145	1465	14.2	16	30	1530	5	36	48	329.77	323	872.6
1600	1620	1628	1930	58	82	58	1820	160	1668	16	16	35	1750	5	40	56	463.11	479	1275.1
1800	1820	18826	2130	62	88	62	2020	170	1870	17.5	16	35	1950	5	44	56	577.63	599	1661.9
2000	2020	2026	2345	56	94	65	2230	190	2072	20	16	40	2150	5	48	62	720.85	719	2142.1

EN1092-1



Size	PN10													
	D	K	A	C	H	M	N	F(WN)	T	F	R	S	NO.HOLE	
15	95	65	45	22	14	32	21.3	38	14	2	4	2	4	
20	105	75	58	27.5	14	40	26.9	40	16	2	4	2	4	
25	115	85	68	34.5	14	46	33.7	40	16	2	4	2	4	
32	140	100	78	43.5	18	56	42.4	42	18	2	6	2	4	
40	150	110	88	49.5	18	64	48.3	45	18	3	6	2	4	
50	165	125	102	61.5	18	74	60.3	45	19	3	5	2	4	
65	185	145	122	77.5	18	92	76.1	45	20	3	6	2	4	
80	200	160	138	90.5	18	105	88.9	50	20	3	6	3	8	
100	220	180	158	116	18	131	114	52	22	3	8	3	8	
125	250	210	188	141.5	18	156	140	55	22	3	8	4	8	
150	285	240	212	170.5	22	184	168	55	24	3	10	4	8	
200	340	295	268	221.5	22	234	219	62	24	3	10	6	8	
250	395	350	320	276.5	22	292	273	68	26	3	12	6	12	
300	445	400	370	327.5	22	342	324	68	26	4	12	7	12	
350	505	460	430	359.5	22	385	356	68	28	4	12	7	16	
400	565	515	482	411	26	440	406	72	32	4	12	7	16	
450	615	565	532	462	26	488	457	72	36	4	12	7	20	
500	670	620	585	513.5	26	542	508	75	38	4	12	7	20	
600	780	725	685	616.5	30	642	610	82	42	5	12	8	20	
700	895	840	800	-	-	746	711	85	-	-	12	8	-	
800	1015	950	905	-	-	850	813	96	-	-	12	8	-	
900	1115	1050	1005	-	-	950	914	99	-	-	12	12	-	
1000	1230	1160	1110	-	-	1052	1016	105	-	-	16	12	-	
1200	1455	1380	1330	-	-	1256	1219	132	-	-	16	12	-	

## EN1092-1

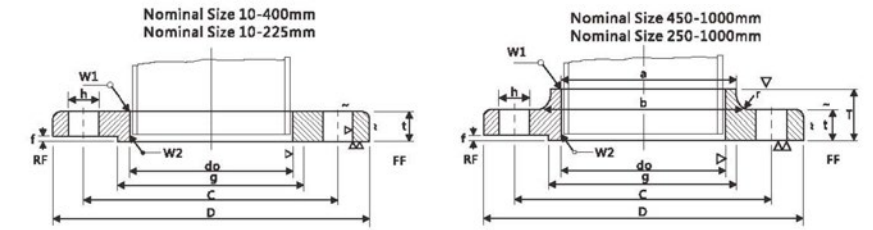


JOFL-EN1092-1-SO-PN10

JOFL-EN1092-1-BL-PN10

Size	D	K	A	C	H	PN16							
						M	N	F(WN)	F	R	S	NO HOLE	
15	95	65	45	22	14	32	21.3	38	16	2	4	2	4
20	105	75	58	27.5	14	40	26.9	40	18	2	4	2	4
25	115	85	68	34.5	14	46	33.7	40	18	2	4	2	4
32	140	100	78	43.5	18	56	42.4	42	18	2	6	2	4
40	150	110	88	49.5	18	64	48.3	45	18	2	6	2	4
50	165	125	102	61.5	18	74	60.3	45	18	3	5	2	4
65	185	145	122	77.5	18	92	76.1	45	18	3	6	2	4
80	200	160	138	90.5	18	105	88.9	50	20	3	6	3	8
100	220	180	158	116	18	131	114	52	20	3	8	3	8
125	250	210	188	141.5	18	156	140	55	22	3	8	4	8
150	285	240	212	170.5	22	184	168	55	22	3	10	4	8
200	340	295	268	221.5	22	235	219	62	24	3	10	6	12
250	405	355	320	276.5	26	292	273	70	26	3	12	6	12
300	460	410	378	327.5	26	344	324	78	28	3	12	7	12
350	520	470	438	359	26	390	356	82	30	4	12	8	16
400	580	525	490	411	30	445	406	85	32	4	12	8	16
450	640	585	550	462	30	490	457	87	40	4	12	8	20
500	715	650	610	513.5	33	548	508	90	44	4	12	8	20
600	840	770	725	616.5	36	652	610	95	54	4	12	8	20
700	910	840	795	-	36	755	711	104	40	5	12	10	24
800	1025	950	900	-	39	855	813	108	41	-	12	12	24
900	1125	1050	1000	-	39	955	914	118	48	-	12	12	28
1000	1255	1170	1115	-	42	1058	1016	137	59	-	16	12	28
1200	1485	1390	1330	-	48	1262	1219	160	78	-	16	14	32

## JIS B2220



JOFL-JISB2220PL-5K

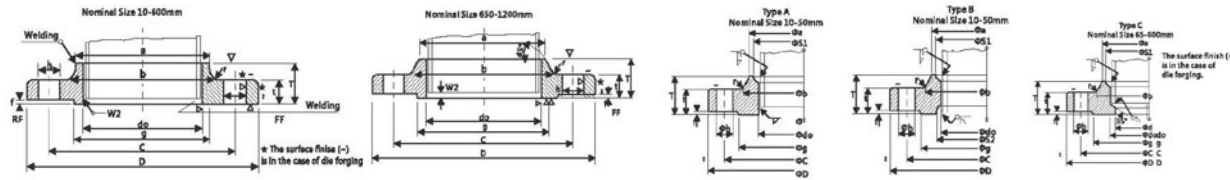
Japanese Standard Flange 5K KS B 1503 / JIS B 2220

Nominal Pipe Size	Outside Diam. of Applicable Pipe	Inside Dia. of Flange	Outside Dia. of Flange	Sectional Dimensions of Flange							Drilling			Welding			
				t	T	Di. of Hub	Radi SUS	Raised Face	Raised Face	Di. of Bolt Circle	Number of Bolt Holes	Holes Dia.	Nominal Bolt Size	Sop	Bl	Soh	
		do	D	a	b	r	f	g	C	h							
(10)	17.3	17.8	90	12	-	-	-	1	46	65	4	15	M12	0.52	0.54	-	
15	21.7	22.2	95	12	-	-	-	1	51	70	4	15	M12	0.57	0.61	-	
20	27.2	27.7	100	14	-	-	-	1	56	75	4	15	M12	0.73	0.79	-	
25	34.0	34.0	125	14	-	-	-	12	67	90	4	19	M16	1.13	1.24	-	
32	42.7	42.3	135	16	-	-	-	2	76	100	4	19	M16	1.48	1.66	-	
40	48.6	49.1	140	16	-	-	-	2	81	105	4	19	M16	1.56	1.81	-	
50	60.5	61.1	155	16	-	-	-	2	86	120	4	19	M16	1.88	2.23	-	
65	76.3	77.1	175	18	-	-	-	2	116	140	4	19	M16	2.60	3.3	-	
80	89.1	90.0	185	18	-	-	-	22	126	150	8	19	M16	2.61	3.5	-	
(90)	101.6	102.6	195	18	-	-	-	2	136	160	8	19	M16	2.76	4.0	-	
100	114.3	115.4	210	18	-	-	-	2	151	175	8	19	M16	3.14	4.6	-	
125	139.8	141.2	250	20	-	-	-	2	182	210	8	23	M20	4.77	7.3	-	
150	165.2	166.6	280	22	-	-	-	2	212	240	8	23	M20	6.34	10.1	-	
(175)	190.7	192.1	305	22	-	-	-	2	237	265	12	23	M20	6.82	11.8	-	
200	216.3	218.0	330	22	-	-	-	2	262	290	12	23	M20	7.53	14.0	-	
(225)	241.8	243.7	350	22	-	-	-	2	282	310	12	23	M20	7.74	15.8	-	
250	267.4	269.5	400	24	36	288	29	6	324	355	12	25	M22	11.8	22.7	12.7	
300	318.5	321.0	445	24	38	340	346	6	3	368	400	16	25	M22	12.7	27.8	13.8
350	355.6	358.1	490	26	42	380	386	6	3	413	445	16	25	M22	16.4	37.1	18.2
400	406.4	409.0	560	28	44	436	442	6	3	475	510	16	27	M24	23.0	52.5	25.2
450	457.2	460.0	620	30	48	496	502	6	3	530	565	20	27	M24	29.5	68.8	33.0
500	508.0	511.0	675	30	48	548	554	6	3	585	620	20	27	M24	33.5	82.1	37.6
(550)	588.8	562.0	745	32	52	604	610	6	3	640	680	20	33	M24	43.1	105.8	49.7
600	609.6	613.0	795	32	52	656	662	6	3	690	730	24	33	M30	45.7	120.2	52.6
650	660.4	664.0	845	34	56	706	712	6	3	740	780	24	33	M30	52.1	145.0	60.6
700	711.2	715.0	905	34	58	762	770	6	3	800	840	24	33	M30	59.5	167.2	70.6
750	762.0	766.0	970	36	62	816	824	6	3	855	900	24	33	M30	73.2	204.2	85.8
800	812.8	817.0	1020	36	64	868	876	6	3	905	950	28	33	M30	76.4	225.4	91.2
(850)	863.6	868.0	1070	36	66	920	928	6	3	955	1000	28	33	M30	80.7	248.8	98.6
900	914.4	919.0	1120	38	70	979	979	6	3	1005	1050	28	33	M30	89.4	288.4	109.0
1000	1016.0	1021	1235	40	74	1073	1081	6	3	1110	1160	28	39	M36	109.2	367.7	133.0
★ (1100)	1117.6	1123	1345	42	76	-	-	-	3	1220	1270	28	39	M36	131.6	460.0	-
★ 1200	1219.2	1225	1465	44	78	-	-	-	3	1325	1380	32	39	M36	163.5	572.2	-
★ 1350	1371.6	-	1630	48	82	-	-	-	3	1480	1540	36	45	M42	204.7	769.0	-
★ 1500	1524.0	-	1795	50	90	-	-	-	3	1635	1700	40	45	M42	250.2	974.9	-





### JIS B2220

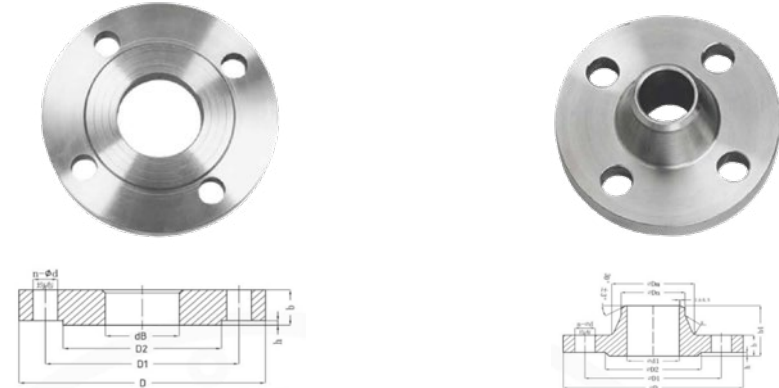


#### 20K KS B 1503 / JIS B 2220

Nominal Pipe Size	Sectional Dimensions of Flange											Drilling				Welding							
	Outside Dia. of Pipe		Inside Dia. of Flange		Outside Dia. of Flange		Dia. of Hub		Radi	Raised Face	Raised Face	Dia. of Bolt Circle	Number of Bolt Holes	Holes Dia.	Nominal Bolt Size	Sop	Bl	Soh					
	do	D	t	T	a	b	r	f	g	C	h	4				3	2						
10	17.3	17.8	90	14	20	30	32	4	1	46	-	65	4	15	M12	27	4	27	4	-	0.5	0.6	0.59
15	21.7	22.2	95	14	20	34	36	4	1	51	-	70	4	15	M12	3	4	31	4	-	0.7	0.7	0.65
20	27.2	27.7	100	16	22	40	42	4	1	56	-	75	4	15	M12	37	4	37	4	-	0.8	0.9	0.81
25	34.0	34.5	125	16	24	48	50	4	1	67	-	90	4	19	M16	44	4	44	4.5	-	1.3	1.5	1.29
32	42.7	43.2	135	18	26	56	60	5	2	76	-	100	4	19	M16	52	4	53	5	-	1.6	1.8	1.60
40	48.6	49.1	140	18	26	62	66	5	2	81	-	105	4	19	M16	58	4	59	5.5	-	1.7	2.0	1.69
50	60.5	61.1	155	18	26	76	80	5	2	96	-	120	8	19	M16	70	4	72	5.5	-	1.9	2.4	1.89
65	76.3	77.1	175	20	30	100	104	5	2	116	65.9	140	8	19	M16	94	6	85	6	6	2.6	3.4	2.81
80	89.1	90.0	200	22	34	113	117	6	2	132	78.1	160	8	23	M20	107	6	-	-	6	3.8	4.9	3.93
(90)	101.6	102.6	210	24	36	126	130	6	2	145	90.2	170	8	23	M20	120	6	-	-	6	4.4	6.0	4.56
100	114.3	115.4	225	24	36	138	142	6	2	160	102.3	185	8	23	M20	132	6	-	-	6	4.9	6.9	5.18
125	139.8	141.2	270	26	40	166	172	6	2	195	126.6	225	8	23	M20	160	7	-	-	6	7.8	11.0	8.30
150	165.2	166.6	305	28	42	196	202	6	2	230	151.0	260	12	25	M22	186	8	-	-	6	10.1	14.9	10.6
200	216.3	218.0	350	30	46	244	252	6	2	275	199.9	305	12	25	M22	237	9	-	-	6	12.5	21.4	13.3
250	267.4	269.5	430	34	52	304	312	6	2	345	248.8	380	12	27	M22	290	10	-	-	6	21.9	37.2	23.4
300	318.5	321.0	480	36	56	354	364	8	3	395	297.9	430	16	27	M24	345	11	-	-	6	25.8	48.4	28.1
350	355.6	358.1	540	40	62	398	408	8	3	440	333.4	480	16	33	M30×3	384	12	-	-	6	35.2	68.0	39.2
400	406.4	409.0	605	46	70	446	456	10	3	495	381.0	540	16	33	M30×3	437	13	-	-	7	51.7	99.4	55.6
450	457.2	460.0	675	48	78	504	514	10	3	560	431.8	605	20	33	M30×3	490	15	-	-	7	66.1	129.1	72.9
500	508.0	511.0	730	50	84	558	568	10	3	615	482.6	660	20	33	M30×3	544	16	-	-	7	77.4	158.4	86.7
(550)	558.8	562.0	795	52	90	612	622	10	3	670	533.4	720	20	33	M36×3	595	16	-	-	7	92.2	194.0	105
600	609.6	613.0	845	54	95	666	676	10	3	720	584.2	770	24	39	M36×3	643	18	-	-	7	101.1	226.9	119
650	660.4	664.0	945	60	-	-	-	5	790	-	850	24	48	M45×3	-	-	-	-	-	-	147.5	311.6	-
700	711.2	715.0	995	64	-	-	-	5	840	-	900	24	48	M45×3	-	-	-	-	-	-	168.0	370.9	-
750	762.0	766.0	1080	68	-	-	-	5	900	-	970	24	56	M52×3	-	-	-	-	-	-	212.7	460.0	-
800	812.8	817.0	1140	72	-	-	-	5	960	-	1030	24	56	M52×3	-	-	-	-	-	-	248.5	545.5	-
(850)	863.6	868.0	1200	74	-	-	-	5	1020	-	1090	24	56	M52×3	-	-	-	-	-	-	280.5	696.2	-
900	914.4	919.0	1250	76	-	-	-	5	1070	-	1140	24	56	M52×3	-	-	-	-	-	-	295.9	694.9	-

(1) Flanges of parenthesized nominal diameter had letter not be used.  
 (2) "d" is an example of pipe thickness for schedule 40 for nominal diameter 400 and order, and for schedule 12.7 mn for 450 trough 600 of KS B 3562 and KS D3507 (Jis G3454, JIS G3456)  
 (3) The dimension of the notch (m, n, s1, s2) for welding can decided between concerned parties  
 (4) Nominal diameter over 600 is manufacturer's standard.

### GOST33259-2015

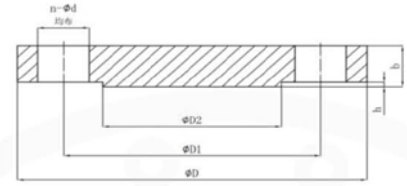


#### JOFL-GOST33259-2015-PL-PN10

#### JOFL-GOST33259-2015-WN-PN10

Size	PN10													
	D	D1	D2	Dm	Dn	dB	di	b	h	h4	d	n	PL/W	WN/W
15	95	65	47	30	19	19	12	12	2	33	14	4	0.51	0.58
20	105	75	58	38	26	26	18	14	2	36	14	4	0.74	0.87
25	115	85	68	45	33	33	25	14	2	38	14	4	0.89	1.05
32	135	100	78	55	39	39	31	16	2	40	18	4	1.4	1.54
40	145	110	88	62	46	46	38	18	3	42	18	4	1.71	1.83
50	160	125	102	76	58	59	49	18	3	42	18	4	2.06	2.26
65	180	145	122	94	77	78	66	20	3	45	18	4	2.8	3.17
80	195	160	133	105	90	91	78	20	3	47	18	4	3.19	3.67
100	215	180	158	128	110	110	96	22	3	48	18	8	3.96	4.7
125	245	210	184	156	135	135	121	24	3	57	18	8	5.4	6.71
150	280	240	212	180	161	161	146	24	3	57	22	8	6.62	8.17
200	335	295	268	240	222	222	202	24	3	58	22	8	8.05	11.35
250	390	350	320	290	278	273	254	26	3	60	22	12	10.65	14.64
300	440	400	370	345	330	325	303	28	4	60	22	12	12.9	18.66
350	500	460	430	400	382	377	351	28	4	60	22	16	15.85	24
400	565	515	482	445	432	426	398	30	4	60	26	16	21.56	30
500	670	620	585	550	535	530	501	32	4	65	26	20	27.7	39.2
600	780	725	685	650	636	630	602	36	5	65	30	20	39.4	48.8
800	1010	950	905	-	-	820	-	42	5	-	33	-	79.16	-
1000	1220	1160	1110	-	-	1020	-	48	5	-	33	-	118.43	-
1200	1455	1380	1330	-	-	1220	-	56	5	-	39	-	197.44	-

GOST33259-2015



JOFL-GOST33259-2015-BL-PN10

PN16														
Size	D	D1	D2	Dm	Dn	dB	d	b	h	h4	d	n	PL/W	WN/W
15	95	65	47	30	19	19	12	14	2	33	14	4	0.61	0.68
20	105	75	58	38	26	26	18	16	2	36	14	4	0.86	0.87
25	115	85	68	45	33	33	25	18	2	38	14	4	1.17	1.05
32	135	100	78	55	39	39	31	18	2	40	18	4	1.58	1.54
40	145	110	88	62	46	46	38	20	3	42	18	4	1.96	1.85
50	160	125	102	76	58	59	49	22	3	45	18	4	2.58	2.28
65	180	145	122	94	77	78	66	24	3	47	18	4	3.42	3.19
80	195	160	133	105	90	91	78	24	3	50	18	4	3.71	4.21
100	215	180	158	128	110	110	96	26	3	50	18	8	4.73	4.9
125	245	210	184	156	135	135	121	28	3	57	18	8	6.38	6.75
150	280	240	212	180	161	161	146	28	3	57	22	8	7.81	8.3
200	335	295	268	240	222	222	202	30	3	58	22	12	10.1	11.79
250	405	355	320	292	278	273	254	31	3	65	26	12	14.49	17.36
300	460	410	370	346	330	325	303	32	4	66	26	12	17.78	22.76
350	520	470	430	400	382	377	351	34	4	70	26	16	22.88	32.04
400	580	525	482	450	432	426	398	38	4	75	30	16	31	43
500	710	650	585	559	535	530	501	48	4	90	33	20	57.01	70.97
600	840	770	685	660	636	630	602	50	5	90	36	20	80.03	99.3
800	1020	950	905	-	-	820	-	54	5	-	-	-	104.41	-
1000	1255	1170	1110	-	-	1020	-	63	5	-	-	-	179.37	-
1200	1485	1390	1330	-	-	1220	-	76	5	-	-	-	297.78	-

www.sanitary-valves.com

J&O®

www.sanitary-valves.com

Blank grid area for memorandum.