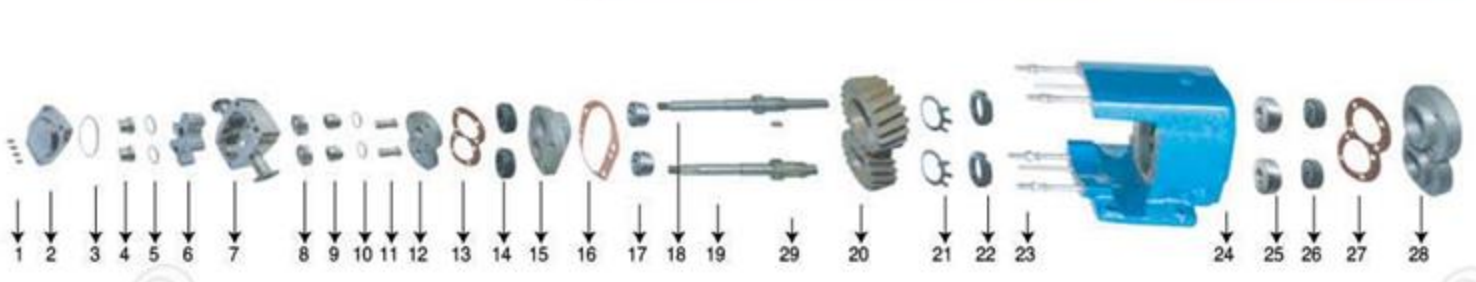


工作原理 Operation Principle

转子泵又称胶体泵,三叶泵,鞋底泵等。依靠两同步反向转动的转子(齿数为2-4)在旋转过程中于进口处产生吸力(真空度),从而吸入所要输送的物料。两转子将转子室分隔成几个小空间,并按a→b→c→d的次序运转。运转至位置a时,只有I室中充满介质;到位置b时, B室中封闭了部分介质;到位置c时, A室中也封闭了介质;到位置d时, A、B室与II室相通,介质即被输送至出口口。如此循环往复,介质(物料)即源源不断地输送出。

Rotor pump is also named rotary lobe pump, three-lobe pump, sole pump, etc. When the 2 simultaneous reverse rotating rotors (with 2-4 gears) revolve, it produces suction force at the inlet (vacuum), which intakes the material delivered. The 2 rotors divide the rotor housing into many smaller parts and revolve in the sequence of a→b→c→d. When it revolves to position a, only housing I is filled with medium; when it revolves to position b, housing B encloses part of the medium, when it goes to position c, housing A encloses medium, and finally it goes to position d, then housing A, B and II are interlinked and the medium is transported to the outlet. As this process is repeated, medium (material) is transported continuously.

转子泵结构图 Rotor Pump Configuration



- 1.螺帽 2.泵盖 3.密封圈 4.拼帽 5.密封圈 6.转子 7.泵腔 8.机械密封(静环) 9.机械密封(动环) 10.密封圈 11.轴套 12.轴承盖 13.密封圈垫 14.橡胶油封 15.轴承座 16.密封圈垫 17.轴承 18.上主轴 19.下主轴 20.斜齿轮 21.止退垫圈 22.拼帽 23.螺杆 24.泵主体 25.轴承 26.橡胶油封 27.密封圈垫 28.轴承盖 29.销子
- 1.Screw cap 2.Pump cover 3.Seal ring 4.Cap 5.Seal ring 6.Rotor 7.Pump cavity 8.Mechanical seal (stationary ring) 9.Mechanical seal (moving ring) 10.Seal ring 11.Bearing sleeve 12.Bearing cover 13.Seal gasket 14.Rubber oil seal 15.Bearing seat 16.Seal gasket 17.Bearing 18.Upper shaft 19.Lower shaft 20.Helical gear 21.Stop washer 22.Cap 23.Screw 24.Pump body 25.Bearing 26.Rubber oil seal 27.Seal gasket 28.Bearing cover 29.Pin

应用范围 Applications

- 食品工业: 酸牛奶、鲜奶油、冰淇淋、乳酪块、乳清、啤酒、麦芽汁、酵母、汽水、水果冻、果汁、饮料、番茄酱、水果泥、蔬菜糊、布丁、果酱、果冻、调味剂、水果馅、甜味料、酵母、调味佐料、面包糕点、肉糜、碎肉、肉油、食用油、糖果、糖浆、稀奶油油、巧克力等。
- 日用化工: 面膏洗液、发型凝胶、染发剂、香油精、牙膏、洗涤剂、洗发精、鞋油、化妆品、香精、肥皂、香脂等。
- 制药工业: 各型丸剂、乳化剂、糖浆、营养液、中药、膏状药剂、生物制品、鱼花粉、蜂蜜浆、疫苗。
- 化工工业: 脂肪、溶剂、树脂、聚合物、油漆、颜料、染料、涂料、润滑油、润滑脂、石油剂、乳化沥青、胶粘剂、塑料、炸药、玻璃钢、皮革等。
- 建筑行业: 各种涂料。包括内外墙涂料、防腐料、陶瓷涂料、油漆涂料、陶瓷釉料等。
- 其它工业: 塑料工业、纺织工业、造纸工业、煤炭浮剂、纳米材料、生物化工等行业。
- Food Industry: Yogurt, Fresh Butter, Ice Cream, Cheese, Whey, Beer, Wort, Yeast, Soft Drink, Fruit Jelly, Fruit Drink, Ketchup, Fruit Puree, Vegetable Mash, Pudding, Fruit Jam, Jelly, Flavor, Fruit Stuffing, Sweet, Yeast, Seasoning, Bread, Meat Gruel, Comminuted Meat, Meat Oil, Edible Oil, Candy, Syrup, Thin Cream Dressing, Chocolate, Etc.
- Daily Chemicals: Cleansing Facial Milk, Hair Gel, Hair Dyes, Essence Oil, Toothpaste, Detergent, Shampoo, Shoe Polish, Cosmetics, Perf-umery Compound, Soap, Balsam, Etc.
- Pharmacy: Various Pill, Paste, Emulsifier, Syrup, Nutrition Liquid, Chinese Traditional Patent Medicine, Medicine Grease, Biological Products, Fish Meal, Pollen, Royal Jelly, Vaccine.
- Chemical Industry: Fat, Dissolvent, Resin, Polymer, Paint, Pigment, Dyes, Coating Material, Lubricant, Lubricating Grease, Oil Agent, Emulsified Asphalt, Adhesive, Plastic, Explosives, Glass Fiber Reinforced Plastics, Leather, Etc.
- Construction Industry: Various Coating, Including Indoor/outdoor Wall Coating, Corrosion And Water Proof Coating, Ceramic Coating, Paint Coating, Ceramic Glazing, Etc.
- Other Industries: Plastic Industry, Textile Industry, Papermaking Industry, Coal Floatation Agent, Nanometer Material, Biochemical Industry, Etc.



法兰料斗进口转子泵
Lobe Pump with Flange hopper



内置式安全阀转子泵
Lobe Pump with Built-in Safety Valve



变频调速型转子泵
Frequency Controlling Rotor Pump



无极调速型转子泵
Step-Less Variator Rotor Pump



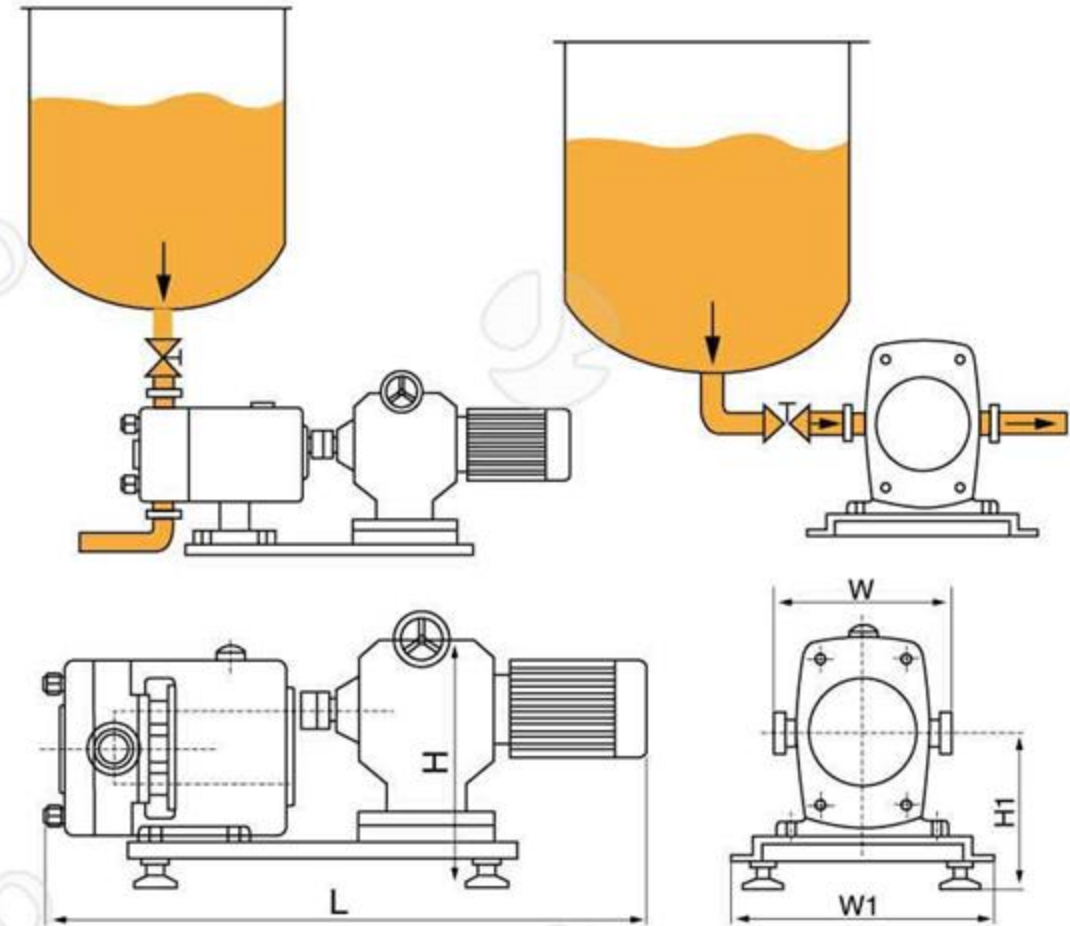
馅料输送转子泵(上下型)
Stuffing product feeding rotor pump (top in, bottom out)



移动式转子泵
Movable Rotor Pump

转子泵安装示意图

Rotor Pump Installation Instruction



技术参数

Main Parameter

产品型号 Model	每百转排量 (L) Flow per 100 Rotation	建议调整范围 (RPM) Suggested rotation speed	V 对应流量 (L-H) Capacity	电机功率 (KW) Power
ZB3A-3	3	200-500	300-800	0.55
ZB3A-6	6	200-500	650-1600	0.75
ZB3A-8	8	200-500	850-2160	1.5
ZB3A-12	12	200-500	1300-3200	2.2
ZB3A-20	20	200-500	2100-5400	3
ZB3A-30	30	200-400	3200-6400	4
ZB3A-36	36	200-400	3800-7600	4
ZB3A-52	52	200-400	5600-11000	5.5
ZB3A-66	66	200-400	7100-14000	7.5
ZB3A-78	78	200-400	9000-18000	7.5
ZB3A-100	100	200-400	10000-22000	11
ZB3A-135	135	200-400	15000-30000	15
ZB3A-160	160	200-400	17000-34000	18.5
ZB3A-200	200	200-400	21600-43000	22