

J&O[®]

J&O FLUID CONTROL CO., LIMITED

Aseptic Sampling Valve

J&O[®]

J&O FLUID CONTROL CO., LIMITED

Address: Binhai ETDZ, 5 Road, Longwan, Wenzhou, China. 325000

Tel: +86 577 8663 2750

Fax: +86 577 8663 2850

Mob./WhatsApp: +86 186 5778 5727

Site: www.sanitary-valves.com

Email: Info@jo-pv.com

With more than 15 years of market experiences, we have become the leading supplier service for pharmaceutical, chemical, food, Beverage and Lithium battery companies

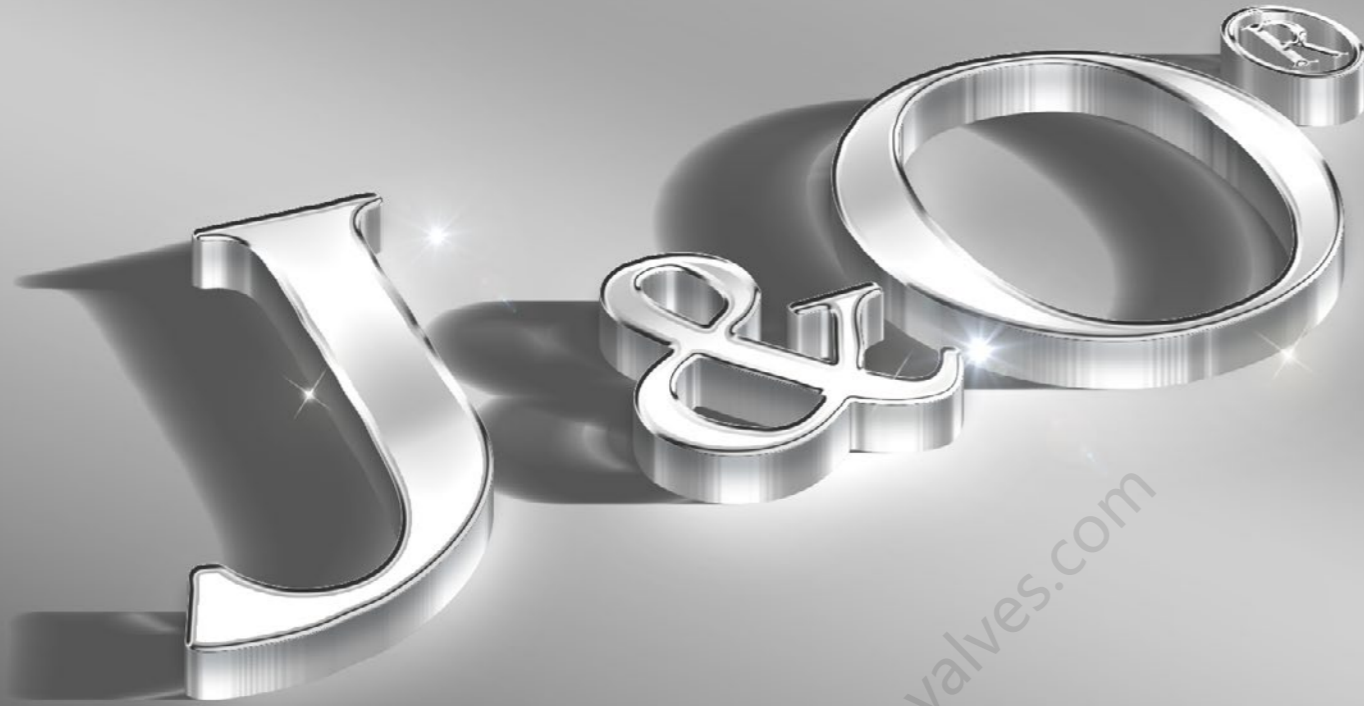


Site Code



WhatsApp Code

J&O BRAND, RELIABLE QUALITY FOR YOU
CE&ISO 9001:2015 CERTIFIED ACQUIRED
15 YEARS FLUID SOLUTION EXPERIENCES
EXPORTING TO OVER 40 COUNTRIES
EXCELLENT VALUE-ADDED SERVICE.



We focus on Details
We Make Different
J&O Brand,that can be trust.

J&O PROFILE

J&O Fluid Control Co., Limited established in 2008, a leading Manufacturer and Supplier of high quality hygienic stainless steel flow control equipments.

J&O services the Food, Dairy, Beverage, Cosmetic, Pharmaceutical, Biological engineering, Lithium battery, Semiconductor, Water treatment, Petroleum and Chemical industries.

J&O product series consists of sanitary stainless steel Valves & Fittings:

- >>Sanitary Stainless Steel Pumps
- >>Sanitary Stainless Steel Valves
- >>Stainless Steel Tank Accessories
- >>Stainless Steel Pipe Fittings
- >>Stainless Steel Flanges
- >>Stainless Steel Double Ferrule Tube Fittings
- >>Hydraulic Pneumatic Quick Coupling
- >>Carbon Steel Pipe Fittings
- >>Customized Valve and Fittings

Through the years, "Perfection" has been the only goal we pursue. In order to satisfy customers, with continuous efforts, we are working towards perfection through a Quality Assurance System. With persistence and effort, we have become one of the leading enterprises of sanitary valves and pipe fittings in China.

Our organization is dedicated to provide our customers with best service of every aspect. We strongly believe, that the friendship and trust given by our customers, is the great treasure we have.

J&O[®]
J&O FLUID CONTROL CO., LIMITED

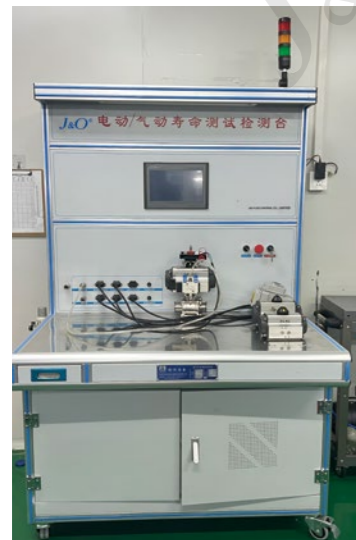
Certificate



Plant & Producing



Testing Machine



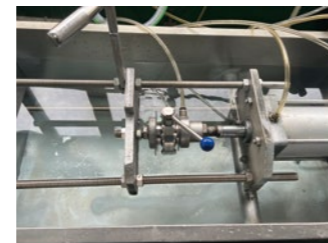
Actuator Testing



Helium Leak Detector



Pressure Test for Large Valve



Pressure Test for Small Valve

Aseptic Sampling Valve

Application

It is mainly used for sampling the materials in tank equipment or pipeline, It can also be installed at the lowest point of tank equipment or pipeline to drain residual liquid.

Technical Parameters

Connection: welding, clamps, threads

Maximum working pressure: +10bar +145psi

Applicable temperature :-10°C to +140°C

Body material: SS304 SS316L

Sealing material: Silicone, EPDM

Working principle

JOVK series of sterile sampling valve with rubber seal, including the handle quick opening type, hand wheel fine tuning type, pneumatic and manual-pneumatic integrated type.

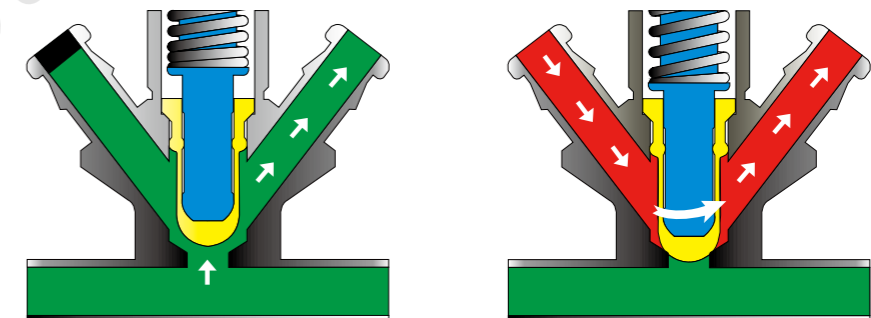
With spring automatic reset function, the valve plug is lifted synchronously when lifting the handle or tuning the handwheel, making the diaphragm valve plug away from the sealing port to open the valve for sampling;

Put down the handle and tune the handwheel in the opposite direction, the valve will be closed automatically by the spring.

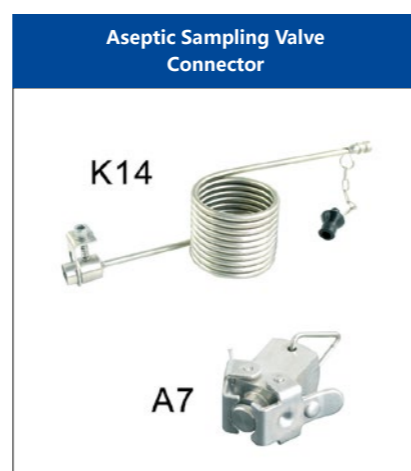
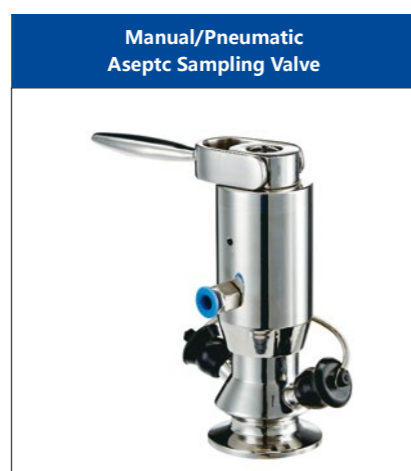
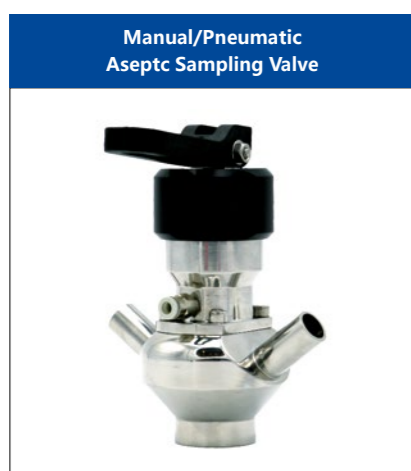


Aseptic Sampling Valve

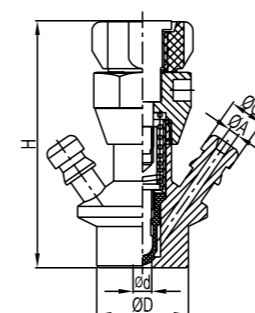
Our Core Values: Team, Details, Altruism, Innovation and Embrace Change.



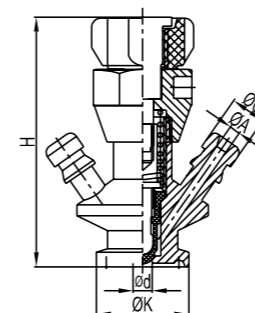
Aseptic Sampling Valve



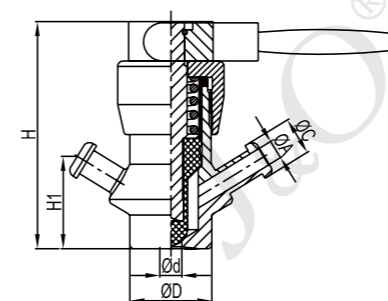
Aseptic Sampling Valve



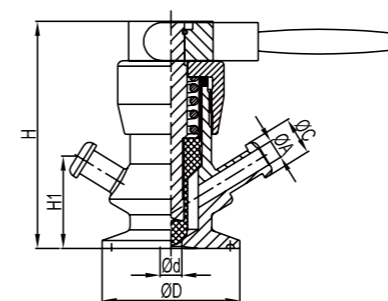
JOV-SPHM004H-11



JOV-SPHM004H-22



JOV-SPHM005H-11



JOV-SPHM005H-22

Welding Aseptic Sampling Valve

Size	d	D	A	C	H
DN6	4	28	3	9.5	68
DN10	8	28	7	14	93

Clamp Aseptic Sampling Valve

Size	d	D	A	C	H
DN6	4	25.2	3	9.5	68
DN10	8	50.5	7.2	14	93

Weld Aseptic Sampling Valve Qick Open

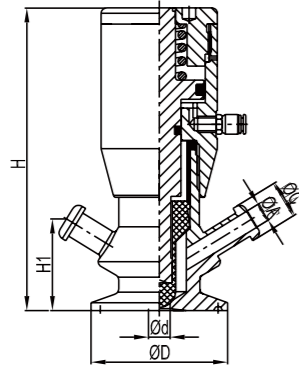
Size	d	D	A	C	H1	H
DN10	8	30	7.2	14	34	84

Clamp Aseptic Sampling Valve Qick Open

Size	d	D	A	C	H1	H
DN10	8	25.2/50.5	7.2	14	34	84

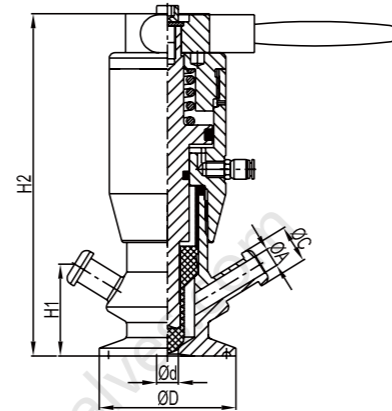
Aseptic Sampling Valve

Pneumatic Aseptic Sampling Valve



JOV-SPHP006H-22

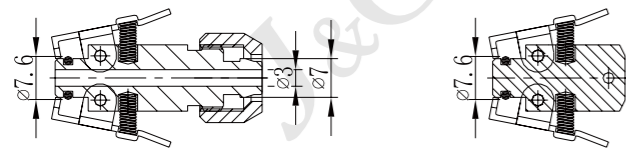
Manual/Pneumatic Aseptic Sampling Valve



JOV-SPHMP006H-22

Size	d	D	A	C	H1	H2	H
DN10	8	25.2/50.5	7.2	14	34	128	113

Can be equipped with 6mm hose connector



HA variety of interface styles

A	B	C	D	E	F
A1	B1	C1	D1	E1	F1

Aseptic Sampling Valve

JOVM Series Aseptic Sampling Valve Features

The JOVM Series Sterile Sampling Valves are sealed with PTFE diaphragm, which can be opened and closed through the expansion and contraction of the diaphragm. This series includes five opening types: stainless steel handle quick-opening type, plastic handle quick-opening type, hand wheel fine-tuning type, pneumatic type and manual-pneumatic integrated type. Manual quick-opening type and pneumatic type with spring automatic reset function can meet various working conditions.



Opening Type (JOVM)



Stainless Steel Hand Wheel



Pneumatic Type



Stainless Steel Handle Quick Opening Type



Manual-Pneumatic Integration



Handwheel Adjust Type

Technical Parameters

Connection form: welding, clamps, aseptic Flange

Maximum pressure: +10bar(145psi)

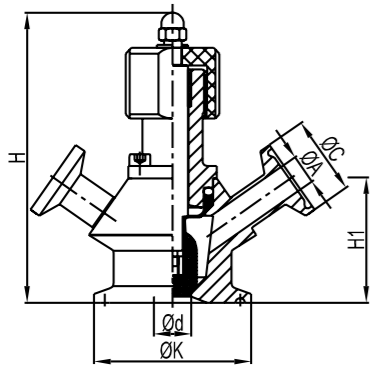
Maximum pressure of spring reset type: +6bar(87psi)

Applicable temperature : -10°C to +140°C

Body material: SS304, SS316L

Sealing material: PTFE

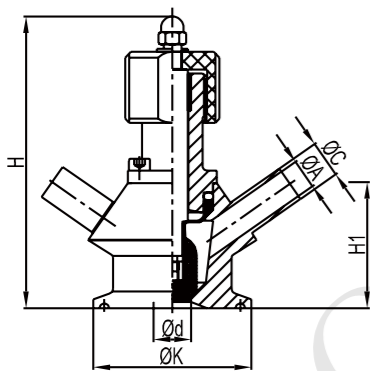
Aseptic Sampling Valve



JOV-SPHM003C-22

Clamp Aseptic Sampling Valve with Clamp outlet

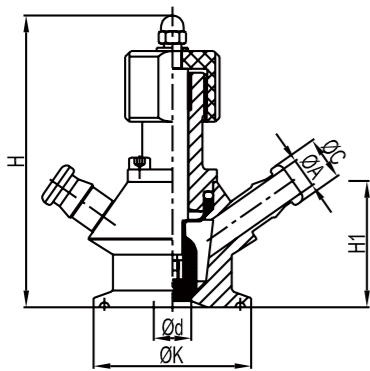
Size	d	K	A	C	H1	H
DN6	6	25.2	5	25.2	37.5	85
DN8	8	25.2/50.5	5	25.2	44.5	85
DN10	9.5	25.2/50.5	9.5	25.2	44.5	85
DN15	12	50.5	9.5	25.2	41.5	93



JOV-SPHM003W-22

Clamp Aseptic Sampling Valve with Weld outlet

Size	d	K	A	C	H1	H
DN6	6	25.2	5	8	37.5	85
DN8	8	25.2/50.5	5	8	44.5	85
DN10	9.5	25.2/50.5	9.5	12.7	44.5	85
DN15	12	50.5	9.5	12.7	41.5	93

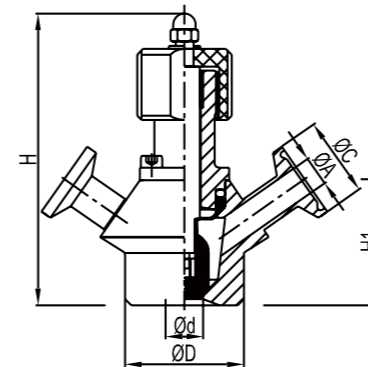


JOV-SPHM003H-22

Clamp Aseptic Sampling Valve with Rubber hose outlet

Size	d	K	A	C	H1	H
DN6	6	25.2	5	9.5	37.5	85
DN8	8	25.2/50.5	5	9.5	44.5	85
DN10	9.5	25.2/50.5	9.5	14	44.5	85
DN15	12	50.5	9.5	14	41.5	93

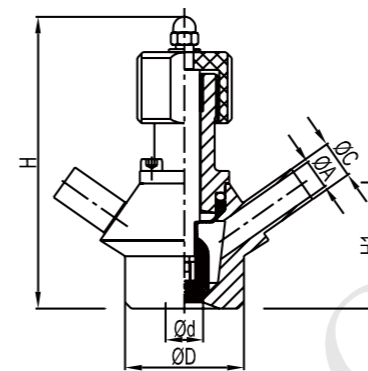
Aseptic Sampling Valve



JOV-SPHM003C-11

Weld Aseptic Sampling Valve With Clamp outlet

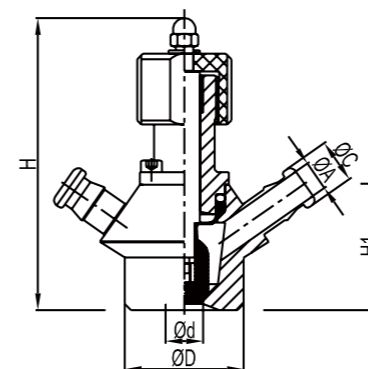
Size	d	D	A	C	H1	H
DN6	6	28	5	25.2	37.5	85
DN8	8	28	5	25.2	44.5	85
DN10	9.5	28	9.5	25.2	44.5	85
DN15	12	38	9.5	25.2	41.5	93



JOV-SPHM003W-11

Weld Aseptic Sampling Valve With Weld outlet

Size	d	D	A	C	H1	H
DN6	6	28	5	8	37.5	85
DN8	8	28	5	8	44.5	85
DN10	9.5	28	9.5	12.7	44.5	85
DN15	12	38	9.5	12.7	41.5	93

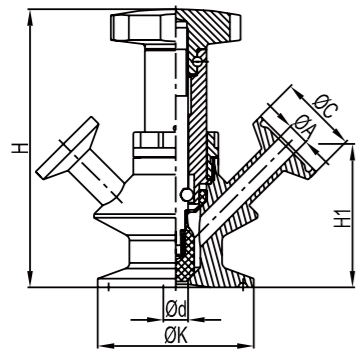


JOV-SPHM003H-11

Weld Aseptic Sampling Valve With Rubber hose outlet

Size	d	D	A	C	H1	H
DN6	6	28	5	9.5	37.5	85
DN8	8	28	5	9.5	44.5	85
DN10	9.5	28	9.5	14	44.5	85
DN15	12	38	9.5	14	41.5	93

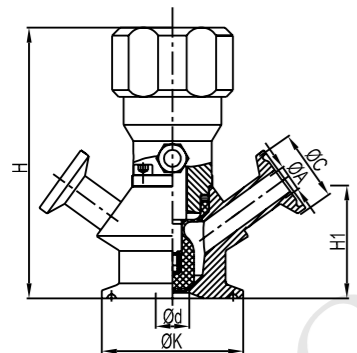
Aseptic Sampling Valve



JOV-SPHM00401C-22

Clamp Aseptic Sampling Valve with Clamp outlet

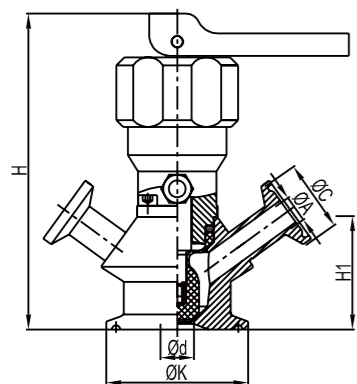
Size	d	K	A	C	H1	H
DN8	8	25.2/50.5	7.2	25.2	46	90
DN10	9.5	25.2/50.5	7.2	25.2	46	90
DN15	12	50.5	9.5	25.2	44	94.5



JOV-SPHP004C-22

Pneumatic Aseptic Sampling Valve

Size	d	K	A	C	H1	H
DN6	6	25.2	5	25.2	37.5	91
DN8	8	25.2/50.5	5	25.2	44.5	92
DN10	9.5	25.2/50.5	9.5	25.2	44.5	92
DN15	12	50.5	9.5	25.2	41.5	98



JOV-SPHPM004C-22

Manual/Pneumatic Aseptic Sampling Valve

Size	d	K	A	C	H1	H
DN6	6	25.2	5	25.5	37.5	105
DN8	8	25.2/50.5	5	25.5	44.5	106
DN10	9.5	25.2/50.5	9.5	25.5	44.5	106
DN15	12	50.5	9.5	25.5	41.5	112

Beer Sampling Valve

Function and feature

Application: sanitary design, straight caliber, no rubber inside, Taper seal, It is mainly used for the collection of material samples in container equipment and pipelines, and can also be installed at the lowest point of tank equipment to drain residual liquid. Suitable for sampling of beer, beverage, container equipment.

Switch principle: The handle is closed up and down, and the central position of sampling port is open. At this time, when the valve is sampled, the handle is opened to the center of the sampling port, and the internal diameter is straight through. When the valve is up and down, the valve is closed.

Outlet groove use: hanging connection sampling defoamer, connection CO₂ tester etc.

Technical parameter

Connection: Clamp

Maximum working pressure: 0.3MPa

Working medium: Liquid gas

Working temperature: Normal temperature

Seal material: SS304

Manua switch

A single handle pole



Sanitary Grade Sampling Valve Gock Type



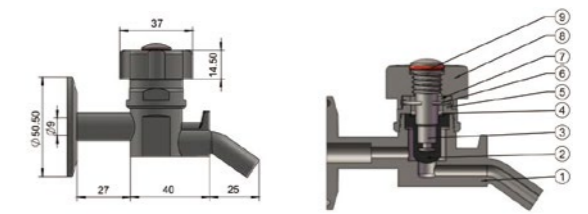
JOV-SPHM010-22

No	Name	Material
1	Screw nut	SS304
2	Core cover	SS304
3	Spring	SS304
4	Valve body	SS304
5	Valve element	SS304
6	Handle	SS304

Size	D1	D2	D3	D4	H
1.5"	Φ5	Φ11.4	Φ30	Φ50.4	83
2"	Φ5	Φ11.4	Φ30	Φ64	83



Stainless Steel Sampling Valve Spiral Type



JOV-SPHM009-22

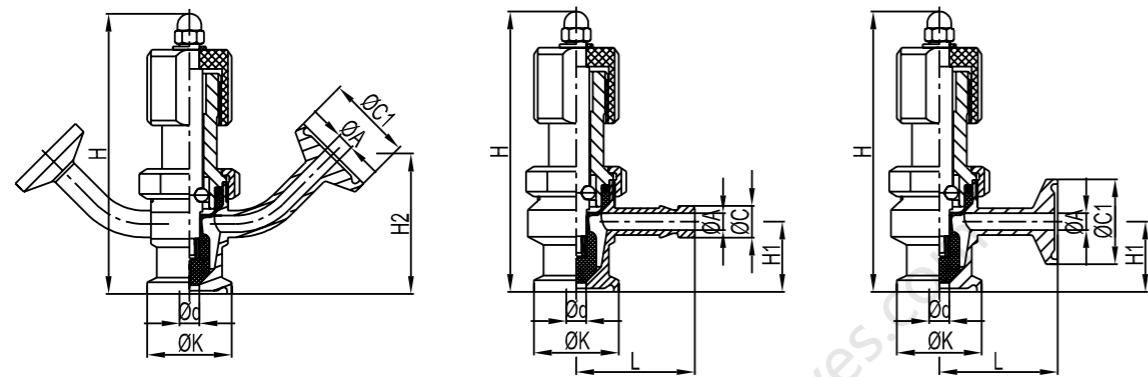
Function and feature

Adopt EPDM Retractable, sealed, suitable for sampling of beer, beverage, container equipment.

No	Name	Material
1	Valve body	SS304
2	Sealing gasket	EPDM
3	Valve element	SS304
4	Pin	SS304
5	Screw nut	SS304
6	Circlip	SS304
7	Spacer bush	SS304
8	Switch round handle	SS304
9	Sealing gasket	MQ

Aseptic Sampling Valve

Clamped Aseptic Sample Valve

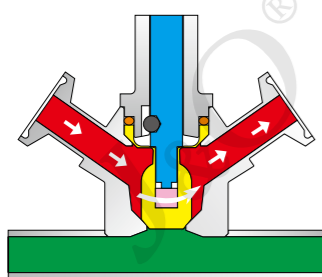


JOV-SPHM008DC-22

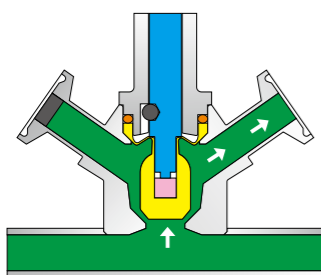
JOV-SPHM008H-22

JOV-SPHM008C-22

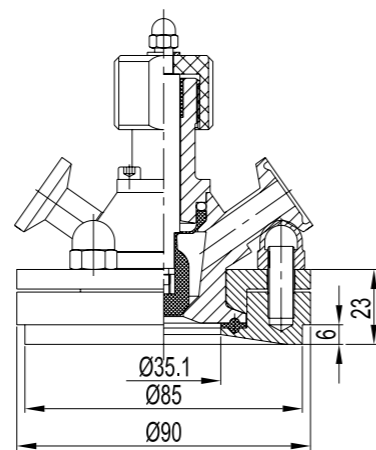
Size	d	K	A	C	C1	L	H1	H2	H
DN6	6	25.2	5	9.5	25.2	35	21	42	84



Sterilization flow diagram



Sample flow diagram



JOV-SPHM003C-44

Aseptic Sampling Valve with Aseptic Flange

Sanitary Sampling Valve



Oval hand wheel



Round handwheel



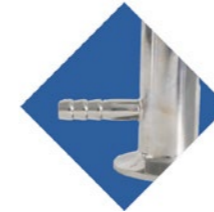
Silicone rubber valve seal



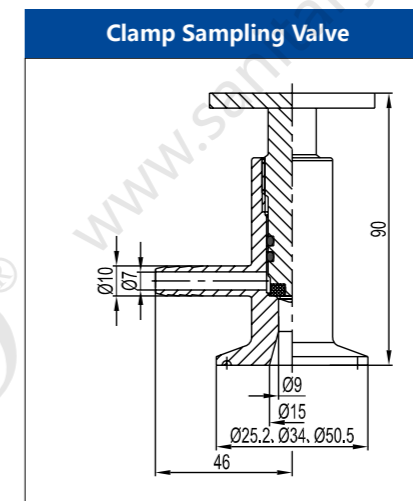
PTFE valve seal



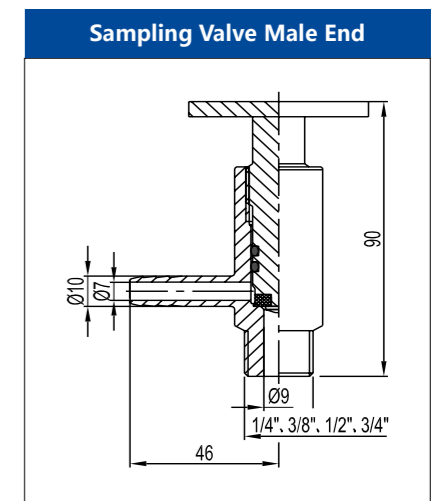
Oblique outlet



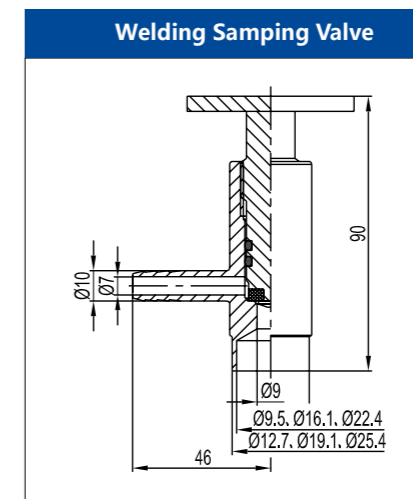
Straight outlet



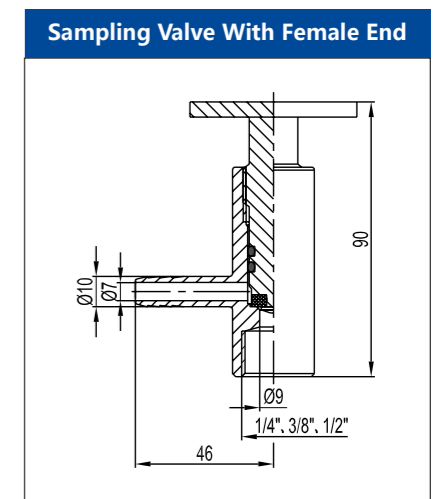
JOV-SPHM001-22



JOV-SPHM001-33W



JOV-SPHM001-11



JOV-SPHM001-33N