

J&O®

J&O FLUID CONTROL CO., LIMITED

Tank Bottom Valve

J&O®

J&O FLUID CONTROL CO., LIMITED

Address: Binhai ETDZ, 5 Road, Longwan, Wenzhou, China. 325000

Tel: +86 577 8663 2750

Fax: +86 577 8663 2850

Mob./WhatsApp: +86 186 5778 5727

Site: www.sanitary-valves.com

Email: Info@jo-pv.com

With more than 15 years of market experiences, we have become the leading supplier service for pharmaceutical, chemical, food, Beverage and Lithium battery companies

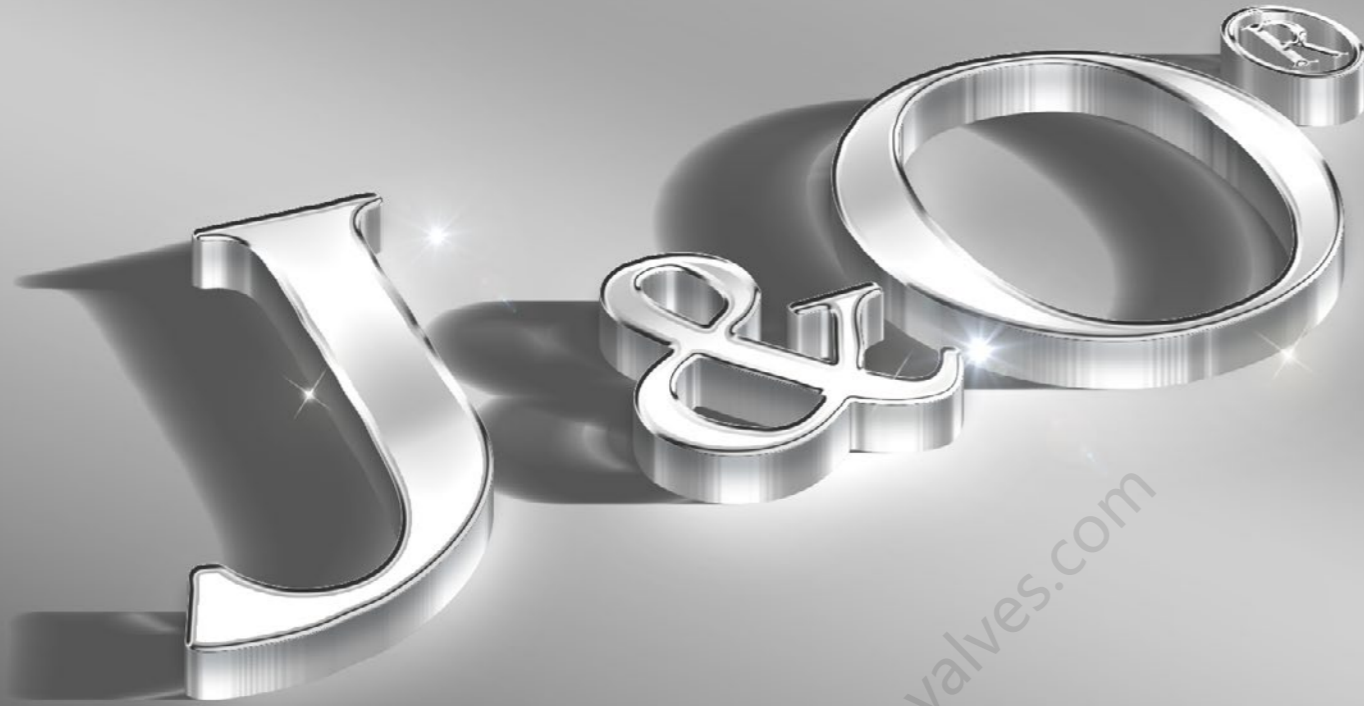


Site Code



WhatsApp Code

J&O BRAND, RELIABLE QUALITY FOR YOU
CE&ISO 9001:2015 CERTIFIED ACQUIRED
15 YEARS FLUID SOLUTION EXPERIENCES
EXPORTING TO OVER 40 COUNTRIES
EXCELLENT VALUE-ADDED SERVICE.



We focus on Details
We Make Different
J&O Brand,that can be trust.

J&O PROFILE

J&O Fluid Control Co., Limited established in 2008, a leading Manufacturer and Supplier of high quality hygienic stainless steel flow control equipments.

J&O services the Food, Dairy, Beverage, Cosmetic, Pharmaceutical, Biological engineering, Lithium battery, Semiconductor, Water treatment, Petroleum and Chemical industries.

J&O product series consists of sanitary stainless steel Valves & Fittings:

- >>Sanitary Stainless Steel Pumps
- >>Sanitary Stainless Steel Valves
- >>Stainless Steel Tank Accessories
- >>Stainless Steel Pipe Fittings
- >>Stainless Steel Flanges
- >>Stainless Steel Double Ferrule Tube Fittings
- >>Hydraulic Pneumatic Quick Coupling
- >>Carbon Steel Pipe Fittings
- >>Customized Valve and Fittings

Through the years, "Perfection" has been the only goal we pursue. In order to satisfy customers, with continuous efforts, we are working towards perfection through a Quality Assurance System. With persistence and effort, we have become one of the leading enterprises of sanitary valves and pipe fittings in China.

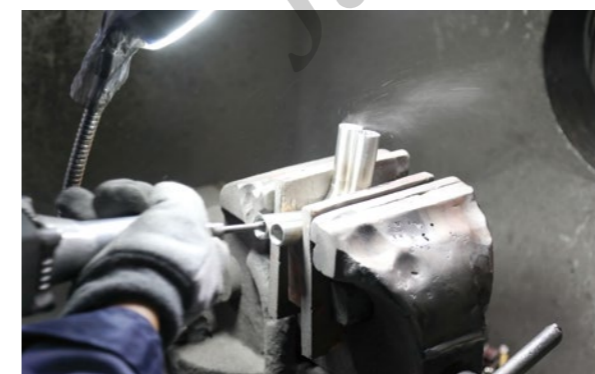
Our organization is dedicated to provide our customers with best service of every aspect. We strongly believe, that the friendship and trust given by our customers, is the great treasure we have.

J&O[®]
J&O FLUID CONTROL CO., LIMITED

Certificate



Plant & Producing



Testing Machine



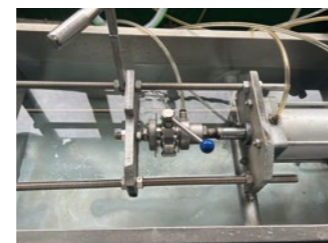
Actuator Testing



Helium Leak Detector



Pressure Test for Large Valve



Pressure Test for Small Valve

Manual Tank Bottom Valve



Tank Bottom Valve

Our Core Values: Team, Details, Altruism, Innovation and Embrace Change.



Application

The aseptic tank bottom valve is widely used in biopharmaceuticals, fermentation, fine chemicals and other industries.

Design and features

- Diaphragm seal
- 3M-PTFE sealing material (FDA certificate)
- No dead Angle, self-draining channel
- Pneumatic device opening position can be visible

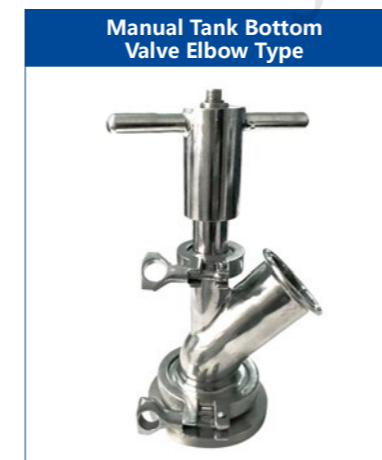


Application

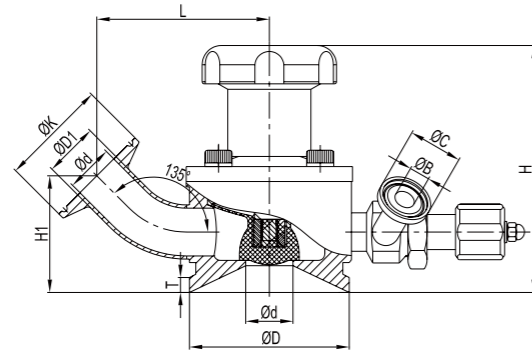
The aseptic tank bottom valve is widely used in biopharmaceuticals, fermentation, fine chemicals and other industries

Design and features

- Diaphragm seal
- 3M-PTFE sealing material (FDA certificate)
- No dead Angle self-draining channel
- Design of quick-release clamp
- Pneumatic device opening position can be visible



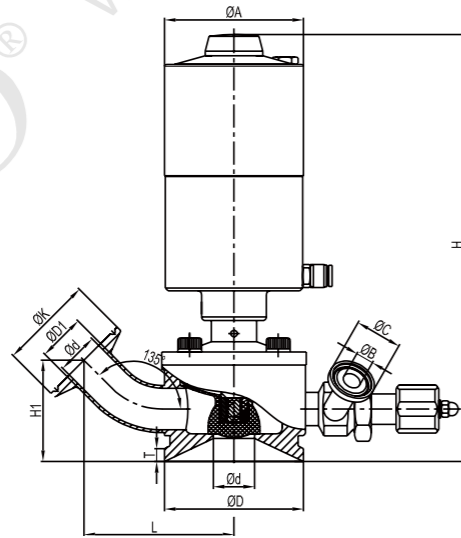
Manual Aseptic Tank Bottom Valve



JOV-TBHM01S-22

Size	d	D1	D	K	L	B	C	T	H1	H
1"	22.4	25.4	75	50.5	81	9.5	25.4	7	54	116
1.25"	28.8	31.8	85	50.5	93	9.5	25.4	7	67	129
1.5"	35.1	38.1	85	50.5	100	9.5	25.4	7	67	129
2"	47.8	50.8	110	64	123	9.5	25.4	7	80	148

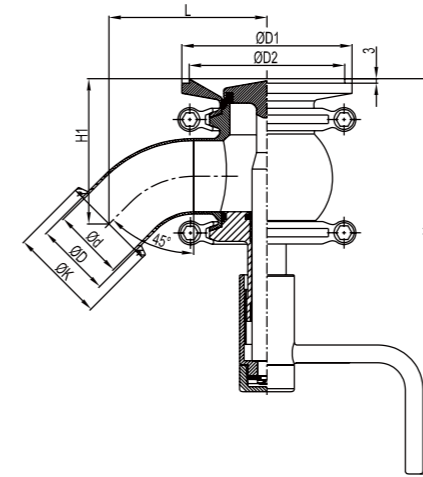
Pneumatic Aseptic Tank Bottom Valve



JOV-TBHP01S-22

Size	d	D1	D	K	L	A	B	C	T	H1	H
1"	22.4	25.4	75	50.5	81	75	9.5	25.4	7	54	230
1.25"	28.8	31.8	85	50.5	93	85	9.5	25.4	7	67	261
1.5"	35.1	38.1	85	50.5	100	85	9.5	25.4	7	67	261
2"	47.8	50.8	110	64	123	108	9.5	25.4	7	80	320

Manual Tank Bottom Valve

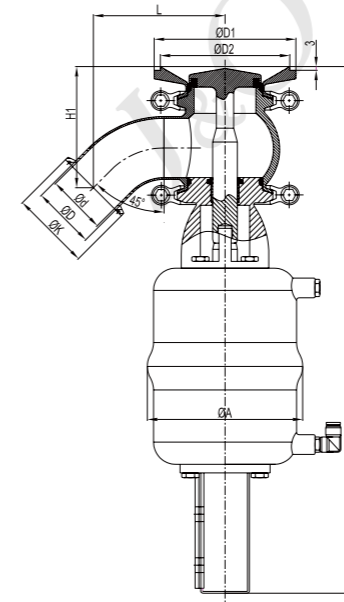


JOV-TBHM02-22

Size	d	D	K	L	H1	D1	D2	H
1.5"	35.1	38.1	50.5	86	94	100	94	256
2"	47.8	50.8	64	106	98	115	105	267
2.5"	59.5	63.5	77.5	128	118	150	140	293
3"	72.2	76.2	91	164	130	170	160	327
3.5"	84.9	88.9	106	174	140	185	175	342
4"	97.6	101.6	119	239	182	200	190	369

Size	d	D	K	L	H1	D1	D2	H
DN40	37	40	50.5	94	97	100	94	256
DN50	49	52	64	113	101	115	106	267
DN65	66	70	91	142	121	170	160	319
DN80	81	85	106	165	138	185	175	342
DN100	100	104	119	200	154	200	190	269

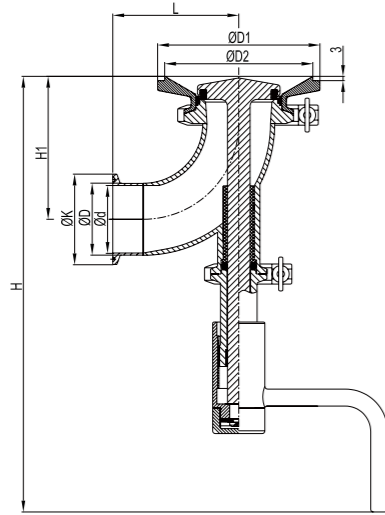
Pneumatic Tank Bottom Valve



JOV-TBHP02-22

Size	d	D	K	L	H1	D1	D2	A	H
1.5"	35.1	38.1	50.5	86	94	100	94	85	400
2"	47.8	50.8	64	106	98	115	105	126	427
2.5"	59.5	63.5	77.5	128	116	150	140	126	445
3"	72.2	76.2	91	154	130	170	160	126	464
3.5"	84.9	88.9	106	174	140	185	175	133	510
4"	97.6	101.6	119	239	182	200	190	151	533

Size	d	D	K	L	H1	D1	D2	A	H
DN40	37	40	50.5	94	97	100	94	85	400
DN50	49	52	64	113	101	115	106	126	427
DN65	66	70	91	142	121	170	160	126	456
DN80	81	85	106	165	138	185	175	133	510
DN100	100	104	119	200	154	200	190	151	533



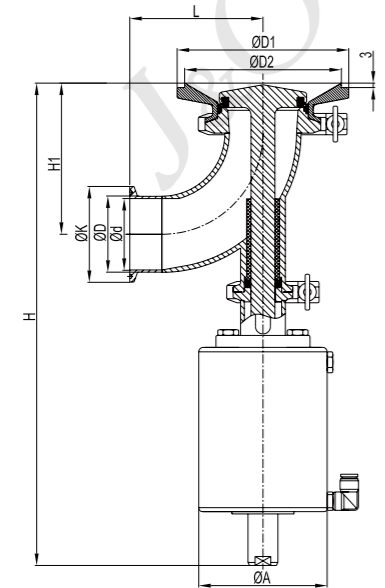
JOV-TBHM03-22

Manual Tank Bottom Valve Elbow Type

Size	d	D	K	L	H1	D1	D2	H
1.5"	35.1	38.1	50.5	67	80	100	94	280
2"	47.8	50.8	64	89	100	115	105	308
2.5"	59.5	63.5	77.5	100	118	150	140	330
3"	72.2	76.2	91	113	131	170	160	344
3.5"	84.9	88.9	106	125	146	185	175	396
4"	97.6	101.6	119	148	181	200	190	442

SQ1034

Size	d	D	K	L	H1	D1	D2	H
DN40	37	40	50.5	67	97	100	94	280
DN50	49	52	64	89	101	115	106	308
DN65	66	70	91	113	121	170	160	344
DN80	81	85	106	111	138	185	175	396
DN100	100	104	119	121	154	200	190	442



JOV-TBHP03-22

Pneumatic Tank Bottom Valve Elbow Type

Size	d	D	K	L	H1	D1	D2	A	H
1.5"	35.1	38.1	50.5	67	80	100	94	86	295
2"	47.8	50.8	64	89	100	115	105	86	323
2.5"	59.5	63.5	77.5	100	118	150	140	86	396
3"	72.2	76.2	91	113	131	170	160	108	452
3.5"	84.9	88.9	106	125	146	185	175	133	483
4"	97.6	101.6	119	148	181	200	190	133	556

Size	d	D	K	L	H1	D1	D2	A	H
DN40	37	40	50.5	67	97	100	94	86	295
DN50	49	52	64	89	101	115	106	86	323
DN65	66	70	91	113	121	170	160	108	452
DN80	81	85	106	111	138	185	175	133	483
DN100	100	104	119	121	154	200	190	133	556

