

J&O®

J&O FLUID CONTROL CO., LIMITED

Mix-proof Valve/ Divert Valve

J&O®

J&O FLUID CONTROL CO., LIMITED

Address: Binhai ETDZ, 5 Road, Longwan, Wenzhou, China. 325000

Tel: +86 577 8663 2750

Fax: +86 577 8663 2850

Mob./WhatsApp: +86 186 5778 5727

Site: www.sanitary-valves.com

Email: Info@jo-pv.com

With more than 15 years of market experiences, we have become the leading supplier service for pharmaceutical, chemical, food, Beverage and Lithium battery companies

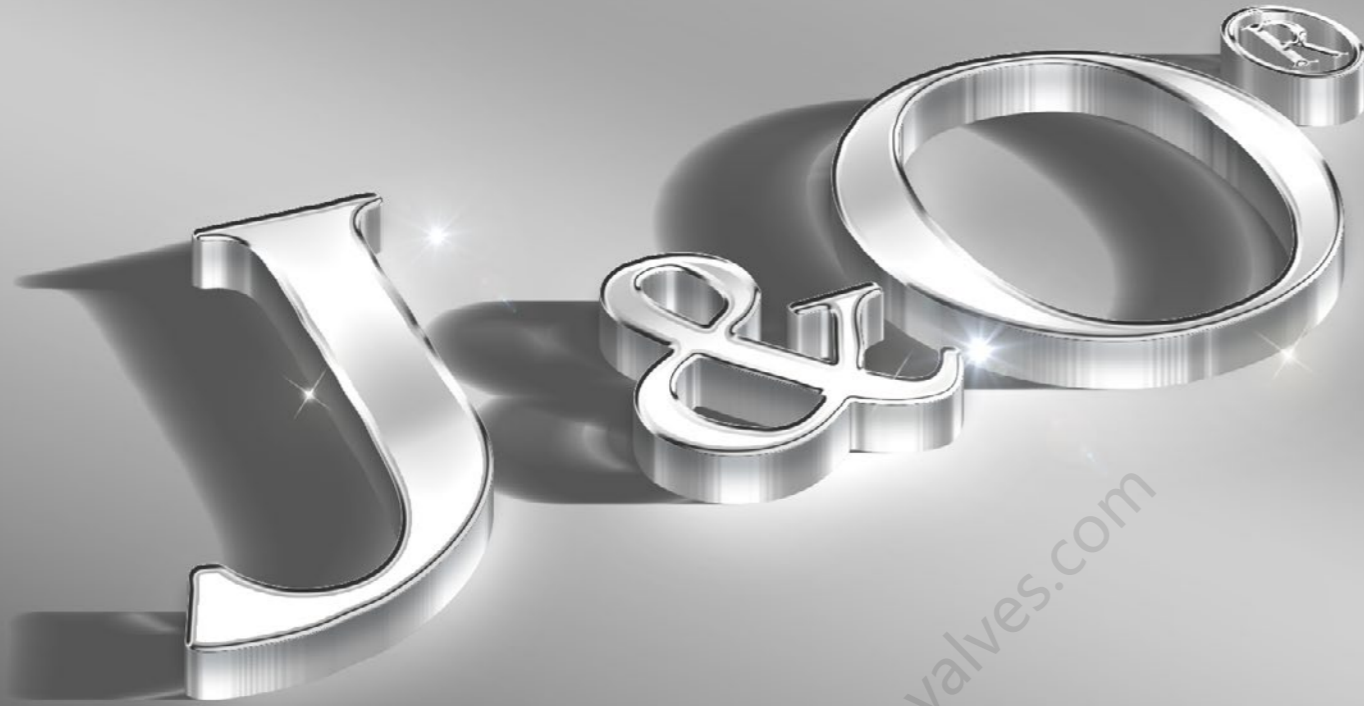


Site Code



WhatsApp Code

J&O BRAND, RELIABLE QUALITY FOR YOU
CE&ISO 9001:2015 CERTIFIED ACQUIRED
15 YEARS FLUID SOLUTION EXPERIENCES
EXPORTING TO OVER 40 COUNTRIES
EXCELLENT VALUE-ADDED SERVICE.



We focus on Details
We Make Different
J&O Brand,that can be trust.

J&O PROFILE

J&O Fluid Control Co., Limited established in 2008, a leading Manufacturer and Supplier of high quality hygienic stainless steel flow control equipments.

J&O services the Food, Dairy, Beverage, Cosmetic, Pharmaceutical, Biological engineering, Lithium battery, Semiconductor, Water treatment, Petroleum and Chemical industries.

J&O product series consists of sanitary stainless steel Valves & Fittings:

- >>Sanitary Stainless Steel Pumps
- >>Sanitary Stainless Steel Valves
- >>Stainless Steel Tank Accessories
- >>Stainless Steel Pipe Fittings
- >>Stainless Steel Flanges
- >>Stainless Steel Double Ferrule Tube Fittings
- >>Hydraulic Pneumatic Quick Coupling
- >>Carbon Steel Pipe Fittings
- >>Customized Valve and Fittings

Through the years, "Perfection" has been the only goal we pursue. In order to satisfy customers, with continuous efforts, we are working towards perfection through a Quality Assurance System. With persistence and effort, we have become one of the leading enterprises of sanitary valves and pipe fittings in China.

Our organization is dedicated to provide our customers with best service of every aspect. We strongly believe, that the friendship and trust given by our customers, is the great treasure we have.

J&O[®]
J&O FLUID CONTROL CO., LIMITED

Certificate



Plant & Producing



Testing Machine



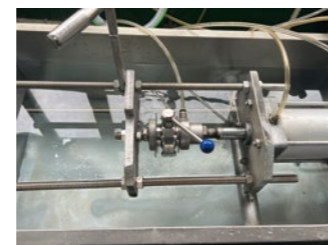
Actuator Testing



Helium Leak Detector



Pressure Test for Large Valve



Pressure Test for Small Valve

Mix-Proof Valve

Fh01 Series Mix-Proof Valve Characteristics

This valve is used to proof the mix of different materials at the pipeline cross. While the valve is close, the two pipes are double sealed, the liquid leaking from one pipe to the other can be eliminated. While the seal is damaged, the leakages will be drained by the draining chamber. A separate CIP connection is used to provide cleaning solution to the isolation chamber. The cleaning of the isolation chamber is independent of the position of the valve.

Fh02 Series Double Seals Mix Proof Valve Characteristics

This Valve is used as the mix- proof separation in the pipe system by adopting one valve disc with two seals tech.This valve is an economic choice among the double seat valve.The chamber between the valve disc seals is connected with two drain valves,by which we candetect the seal leakage and clean the chamber.

The Advantages Compared With Traditional Design

- Less components
- Less space
- Easier maintenance
- No dead corner
- No contact between drain system and products
- The separation chamber cleaning will not cause any hydraulic-pressure and will not be influenced by the status of the equipment or the valve.

Material

- Parts in contact with the medium:304 or 316L
- Sealing material:standard EPDM, Silicone and Viton for option

Surface Finish

Outside : Sand blasting processing
Matt. Polish Ra ≤ 0.6μm
Inside: polish Ra<0.6μm

Quality Requirements of Compressed Air That The Actuator Needs

- Compressed air joint:air pipe equipped with air adapter R1/8"
- Max grain size:0.01 μm
- Max oil content:0.08ppm
- Dew point:below 10c or less
- Max water content:7.5g/kg



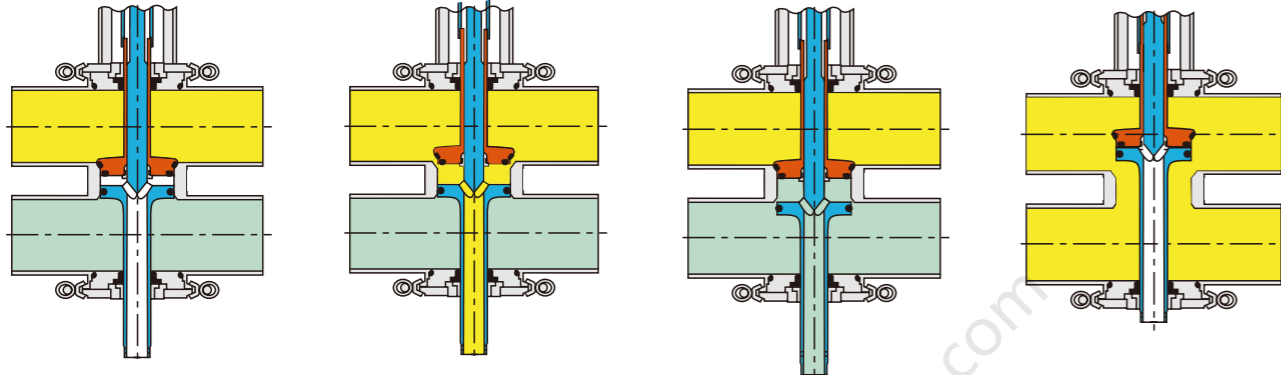
Mix-proof Valve/ Divert Valve

Our Core Values: Team, Details, Altruism, Innovation and Embrace Change.



Mix-proof Valve

The position of the valve disc during the opening and closing of the external cleaning double-seat mix-proof valve

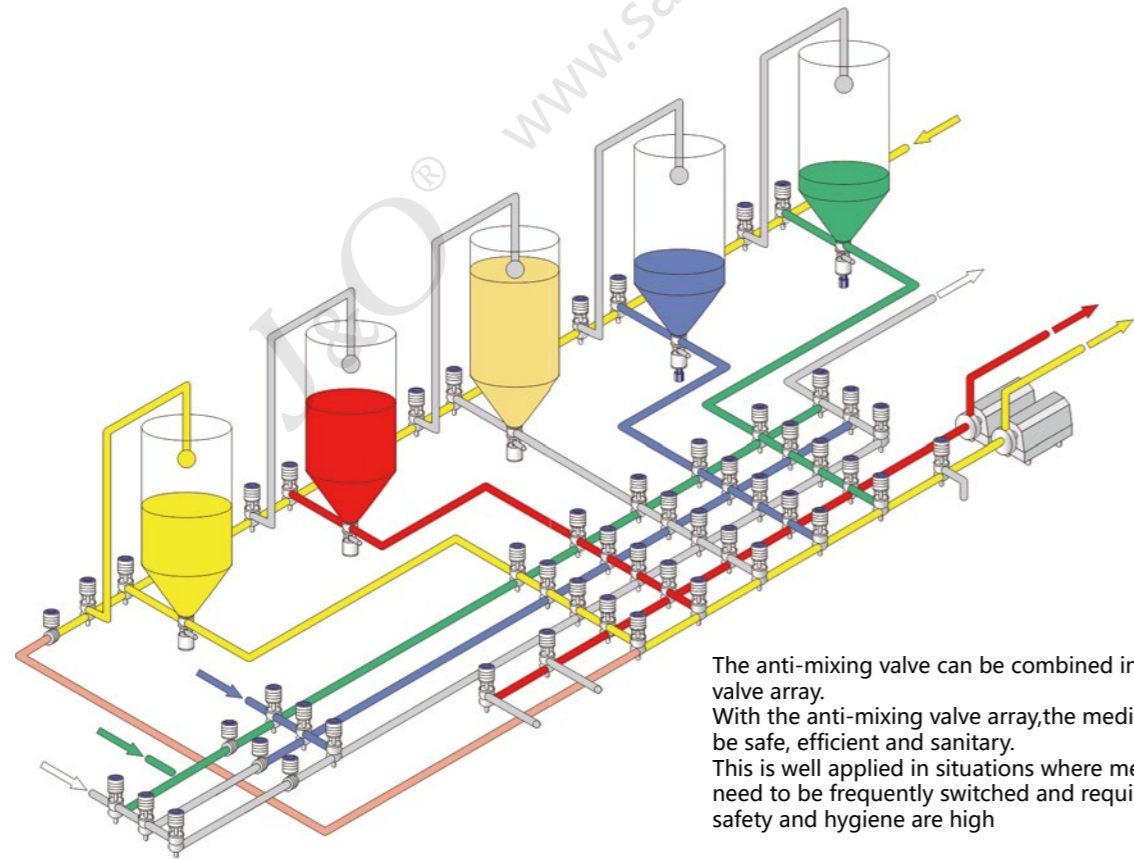


When the valve is closed, the upper and lower valve chambers are sealed by separate valve seats. The middle leakage channel can be do separate CIP cleaning from the outside.

When the valve is opened, the upper valve seat lifts upward, and the liquid in the upper body can flow out from the leakage channel. The lower chamber is sealed by a separate valve seat.

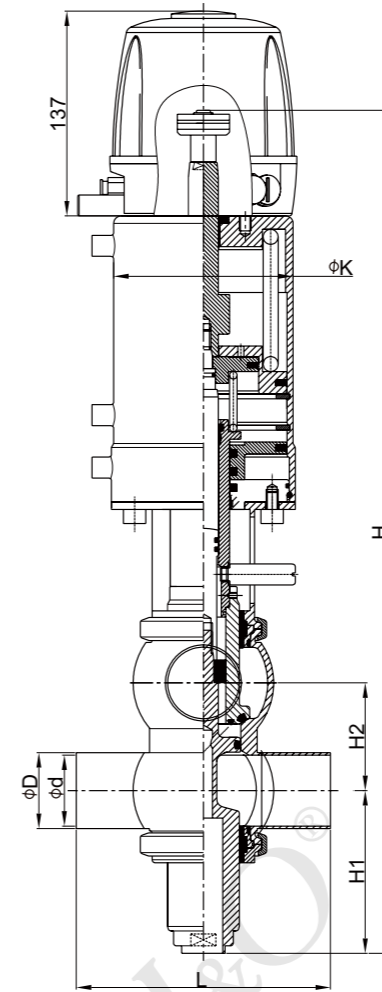
When the valve is opened, the lower valve seat drops downward, and the liquid in the lower body can flow out from the leakage channel. The upper chamber is sealed by a separate valve seat.

When the valve is opened, the lower valve seat is lifted, and the isolation chamber between the lower valve seat and the upper valve seat is closed, so that the leakage channel closed when the valve is opened.



The anti-mixing valve can be combined into anti-mix valve array. With the anti-mixing valve array, the medium convey can be safe, efficient and sanitary. This is well applied in situations where media channels need to be frequently switched and requirements on the safety and hygiene are high

Intelligent Pneumatic Anti Mixing-proof Valve



JOV-MXVT22-11

Size	d	D	K	L	H1	H2	H
40	37	40	89	130	83	56	499
50	49	52	120	180	123	71	558
65	66	70	120	200	115	92	684
80	81	85	173	250	140	111	875
100	100	104	173	300	173	128	910
Size	d	D	K	L	H1	H2	H
1.5"	35.1	38.1	89	130	83	56	499
2"	47.8	50.8	120	180	123	71	558
2.5"	59.5	63.5	120	200	123	85	586
3"	72.2	76.2	133	220	133	103	762
4"	97.6	101.6	173	300	173	128	910



CIP Cleaning Type

A. CIP cleaning of the leakage chamber in the pipeline when the upper valve disc is opened or the lower valve disc is opened



B. External CIP cleaning of upper and lower valve disc



C. External CIP cleaning of upper and valve disc



D. External connection CIP cleaning of leaking cavity



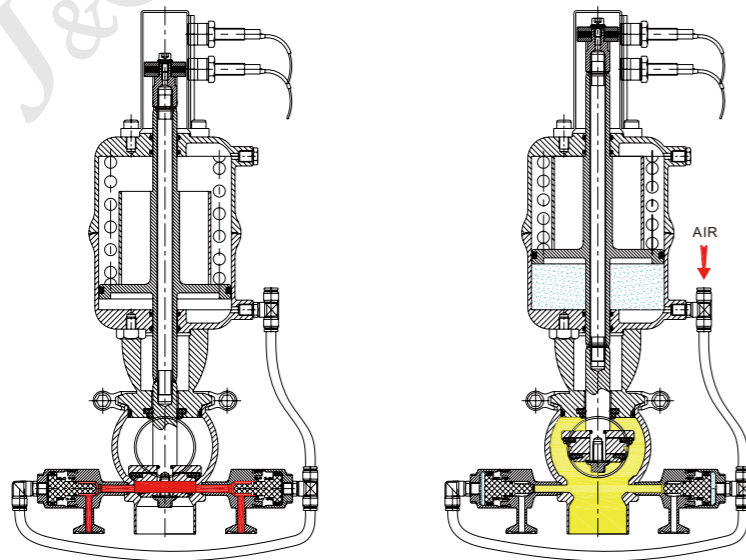
Valve Combination

Valve Combination				Integrated type
T11 00° 	T11 90° 	T11 180° 	T11 270° 	 Assembled Type
T12 00° 	T12 90° 	T21 00° 	T21 90° 	
T22 00° 	T22 90° 			
T11 	T12 	T21 	T22 	

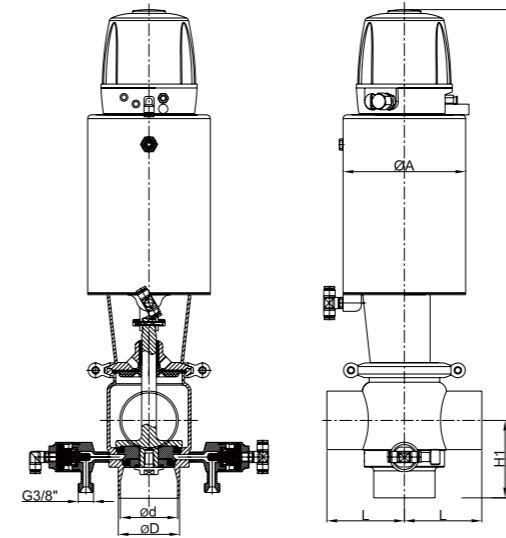
Cleaning Single Seat Double Seal Mixing-proof Valve



Outside The Cleaning Single-Seat Double-seal Anti-Mixing-proof In The Process of Valve Plate Position

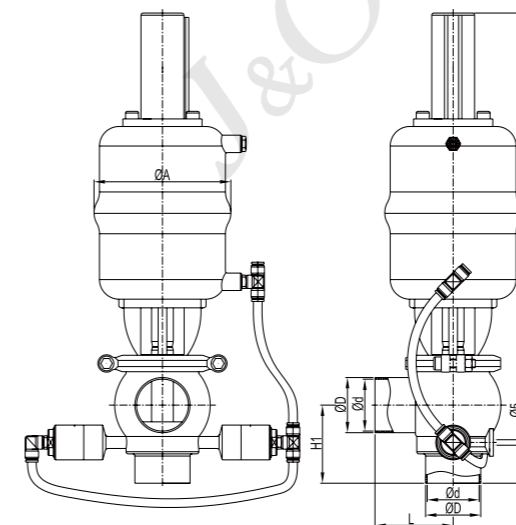


Intelligent Pneumatic Anti Mixing-proof



JOV-ATMXVCT-11

Size	d	D	A	L	H1	H
1.5"	35.1	38.1	86	69	69	488
2"	47.8	50.8	108	76	76	509
2.5"	59.5	63.5	133	82	82	550
3"	72.2	76.2	133	90	90	564



JOV-ATMXVSL-11

Size	d	D	L	A	H1	H
1.5"	28.8	31.8	65	126	62	418
1.5"	35.1	38.1	65	126	65	418
2"	47.8	50.8	72	126	72	433
2.5"	59.5	63.5	85	126	85	453
3"	72.2	76.2	97	152	97	500
3.5"	84.9	88.9	115	178	115	559
4"	97.6	101.6	135	178	135	593

Divert Valve



Advantages

Hygienic cut-off / switch valves feature safety, clean, durability and aesthetics

With an open bracket, the pneumatic actuator is separated from the valve body, so the shaft seal can be checked directly. This design makes the transmission and the product partially separated, so it prevents the heat transfer from the body to the actuator

The condition "NO" and "NC" can be changed instantly. The spherical body has the ideal flow ability and cleaning performance, and it can handle materials more moderate

The standard valve design makes the connection combination highly flexible and varied. Metal stop ensures longer sealing life, fast and convenient assembly and maintenance.



Welding end rubber protective cover



Signal Feed Back Device



Material

Material of parts in contact with medium: 304 or 316L

Sealing material: standard EPDM, Silica, silicone and viton for option

Surface Finish

Outside: Sand blasting $Ra \leq 1.6\mu m$

Sub-light $\leq 0.8\mu m$

Inside: polish $Ra \leq 0.4\mu m$

Requirements for compressed air quality that the executor needs

Compressed air joint: air pipe equipped with air adapter R1/8"

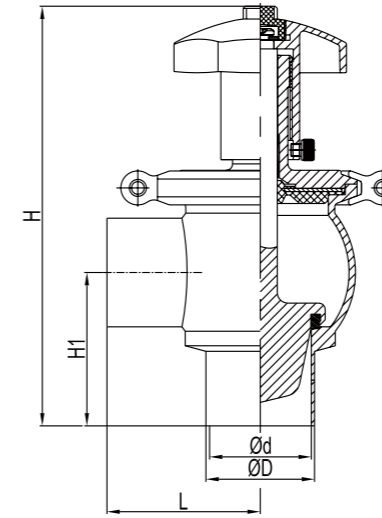
Max grain size: 0.01mm

Max oil content: 0.08ppm

Dew point: below 10°C or less

Max water content: 7.5g/kg

Divert Valve/ Cut-Off Valve



JOV-RHML2-11

Manual Flow Regulating Valve

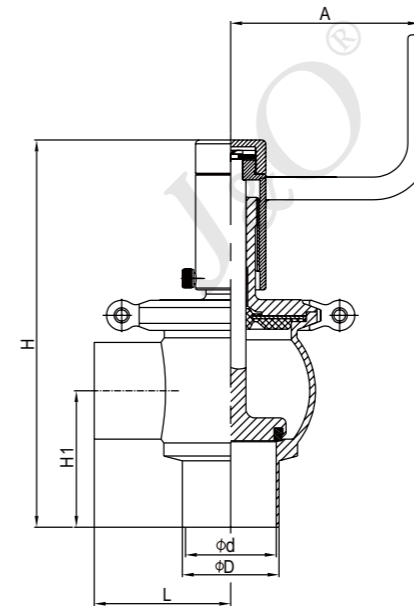
Size	d	D	L	H1	H
1"	22.4	25.4	72	72	192
1.25"	28.8	31.8	72	72	192
1.5"	35.1	38.1	72	72	192
2"	47.8	50.8	72	72	192
2.5"	59.5	63.5	80	75	201

Size	d	D	L	H1	H
DN25	25	28	72	72	192
DN32	31	34	72	72	192
DN40	37	40	72	72	192
DN50	49	52	72	72	192

Manual Cut-off Valve

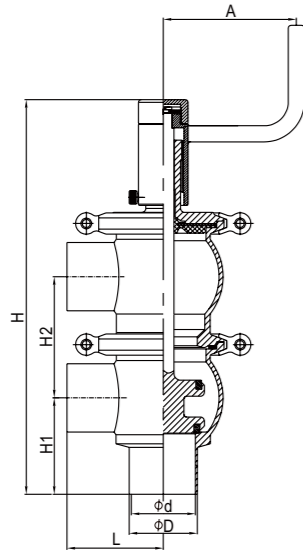
Size	d	D	L	H1	A	H
1"	22.4	25.4	72	72	100	204
1.25"	28.8	31.8	72	72	100	204
1.5"	35.1	38.1	72	72	100	204
2"	47.8	50.8	72	72	100	204
2.5"	59.5	63.5	80	75	100	213
3"	72.2	76.2	98	98	125	258
3.5"	84.9	88.9	107	107	125	272
4"	97.6	101.6	135	127	125	300

Size	d	D	L	H1	A	H
DN25	25	28	72	72	100	204
DN32	31	34	72	72	100	204
DN40	37	40	72	72	100	204
DN50	49	52	72	72	100	204
DN65	66	70	97	97	125	252
DN80	81	85	107	107	125	272
DN100	100	104	135	127	125	300



JOV-RHML-11

Divert Valve



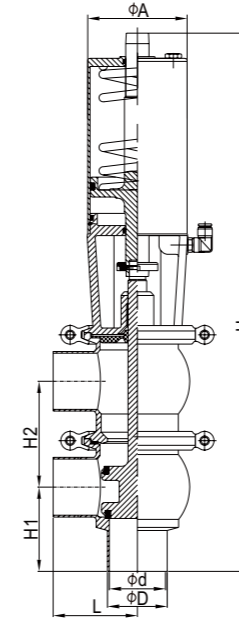
JOV-RHMLL-11

Manual Divert Valve

Size	d	D	L	H1	H2	A	H
1"	22.4	25.4	72	72	90	100	295
1.25"	28.8	31.8	72	72	90	100	295
1.5"	35.1	38.1	72	72	90	100	295
2"	47.8	50.8	72	72	90	100	295
2.5"	59.5	63.5	80	75	90	100	312
3"	72.2	76.2	98	98	107	125	364
3.5"	84.9	88.9	107	107	120	125	392
4"	97.6	101.6	135	127	135	125	434

Size	d	D	L	H1	H2	A	H
DN25	25	28	72	72	90	100	295
DN32	31	34	72	72	90	100	295
DN40	37	40	72	72	90	100	295
DN50	49	52	72	72	90	100	295
DN66	66	70	97	97	107	125	362
DN90	81	85	107	107	120	125	394
DN100	100	104	135	127	135	125	434

Divert Valve



JOV-RHPSLL-11

Pneumatic Divert Valve

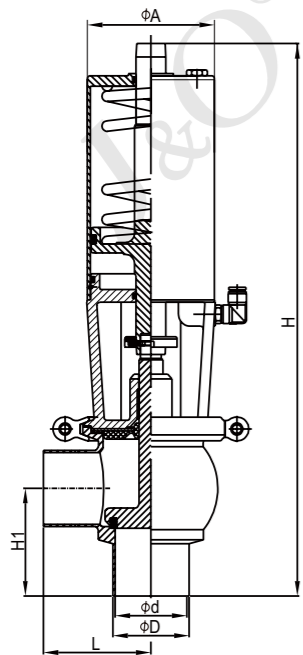
Size	d	D	L	H1	H2	A	H
1"	22.4	25.4	72	72	90	86	453
1.25"	28.8	31.8	72	72	90	86	453
1.5"	35.1	38.1	72	72	90	86	453
2"	47.8	50.8	72	72	90	86	453
2.5"	59.5	63.5	80	75	99	86	472
3"	72.2	76.2	98	98	107	106	509
3.5"	84.9	88.9	107	107	120	133	562
4"	97.6	101.6	135	127	135	152	612

Size	d	D	L	H1	H2	A	H
DN25	25	28	72	72	90	86	453
DN32	31	34	72	72	90	86	453
DN40	37	40	72	72	90	86	453
DN50	49	52	72	72	90	86	453
DN65	66	70	97	97	107	108	528
DN80	81	85	107	107	120	133	562
DN100	100	104	135	127	135	152	612

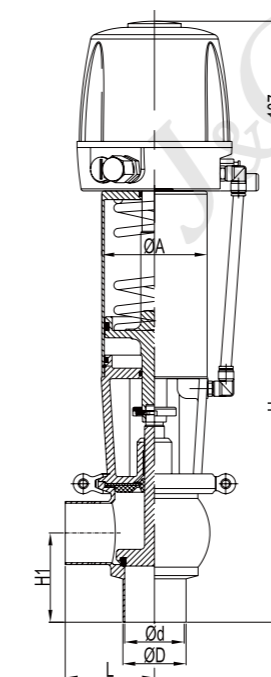
Pneumatic Divert/Cut-off Valve

Size	d	D	L	H1	A	H
1"	22.4	25.4	72	72	86	367
1.25"	28.8	31.8	72	72	86	367
1.5"	35.1	38.1	72	72	86	367
2"	47.8	50.8	72	72	86	367
2.5"	59.5	63.5	80	75	86	373
3"	72.2	76.2	98	98	108	404
3.5"	84.9	88.9	107	107	133	442
4"	97.6	101.6	135	127	152	478

Size	d	D	L	H1	A	H
DN25	25	28	72	72	86	367
DN32	31	34	72	72	86	367
DN40	37	40	72	72	86	367
DN50	49	52	72	72	86	367
DN65	66	70	97	97	108	418
DN80	81	85	107	107	133	442
DN100	100	104	135	127	152	478



JOV-RHPSL-11



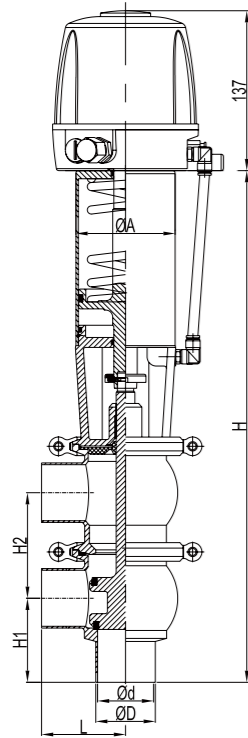
JOV-RHPSCL-11

Pneumatic Divert/Cut-off Valve

Size	d	D	L	H1	A	H
1"	22.4	25.4	72	72	86	353
1.25"	28.8	31.8	72	72	86	353
1.5"	35.1	38.1	72	72	86	353
2"	47.8	50.8	72	72	86	353
2.5"	59.5	63.5	80	75	86	357
3"	72.2	76.2	98	98	108	388
3.5"	84.9	88.9	107	107	133	428
4"	97.6	101.6	135	127	152	459

Size	d	D	L	H1	A	H
DN25	25	28	72	72	86	353
DN32	31	34	72	72	86	353
DN40	37	40	72	72	86	353
DN50	49	52	72	72	86	353
DN65	66	70	97	97	108	402
DN80	81	85	107	107	133	428
DN100	100	104	135	127	152	459

Divert Valve



JOV-RHPSCLL-11

Intelligent Pneumatic Divert Valve

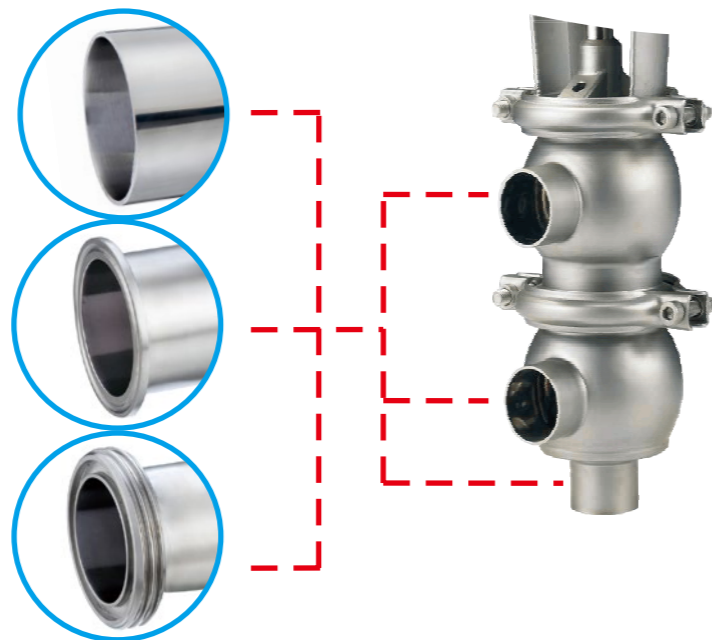
Size	d	D	L	H1	H2	A	H
1"	22.4	25.4	72	72	90	86	439
1.25"	28.8	31.8	72	72	90	86	439
1.5"	35.1	38.1	72	72	90	86	439
2"	47.8	50.8	72	72	90	86	439
2.5"	59.5	63.5	80	75	99	86	456
3"	72.2	76.2	98	98	107	106	493
3.5"	84.9	88.9	107	107	120	133	548
4"	97.6	101.6	135	127	135	152	593

Size	d	D	L	H1	H2	A	H
DN25	25	28	72	72	90	86	439
DN32	31	34	72	72	90	86	439
DN40	37	40	72	72	90	86	439
DN50	49	52	72	72	90	86	439
DN65	66	70	97	97	107	108	512
DN80	81	85	107	107	120	133	548
DN100	100	104	135	127	135	152	593

Weldingtype

Clamp type

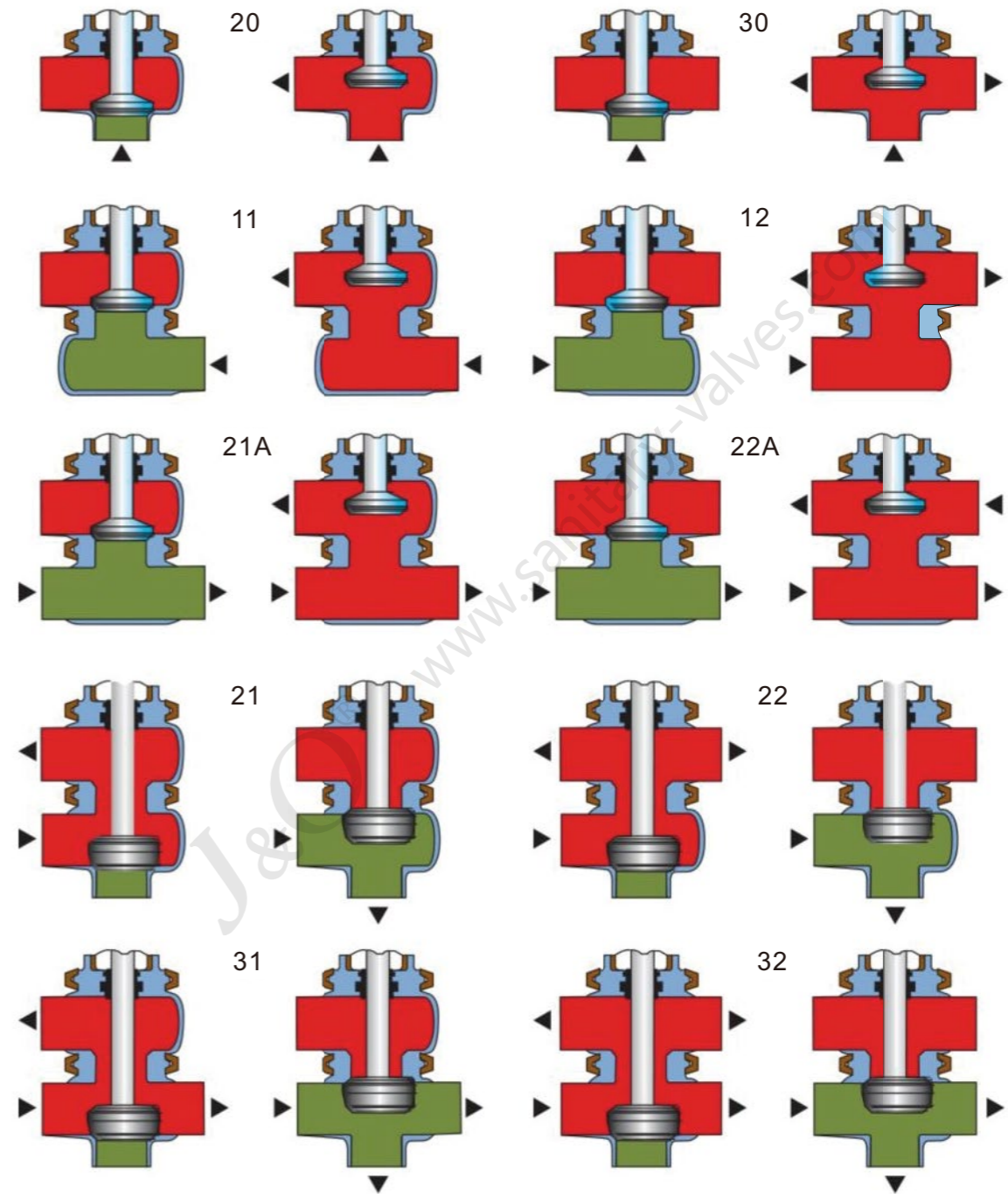
Threadtype



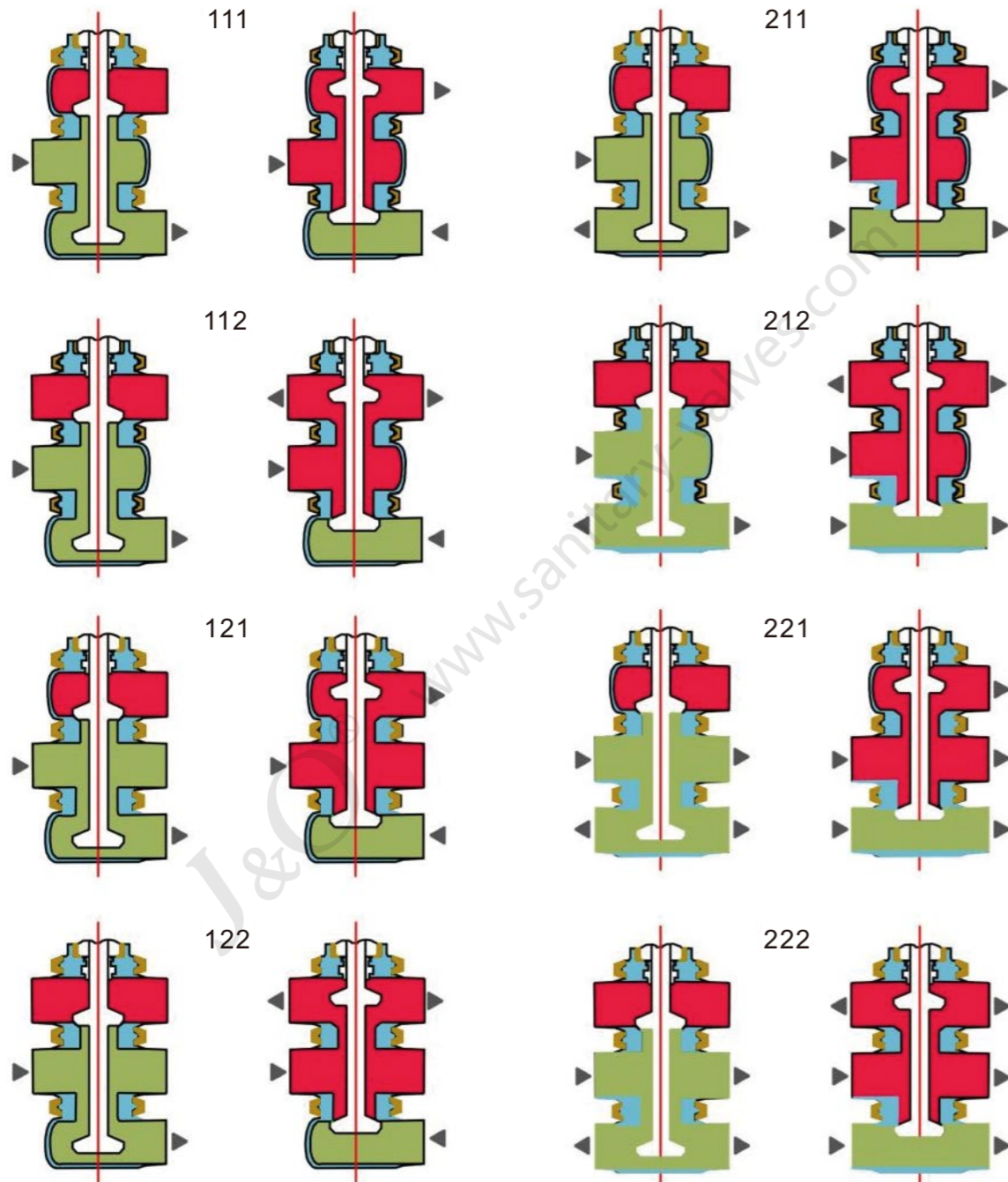
Interface shape

Divert Valve

Body Combination



Divert Valve



Mini Divert Valve

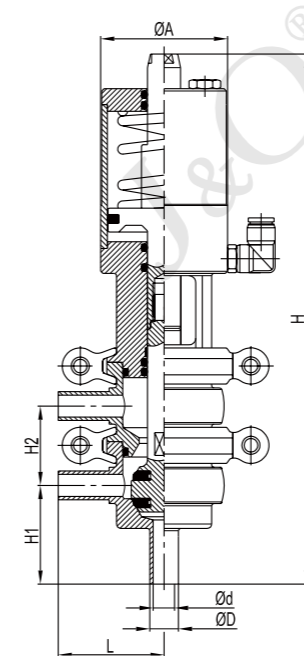
Mini Pneumatic Stop/Reversing Valve

Application

The valve is widely used in small laboratory equipment and filling equipment.

Design features

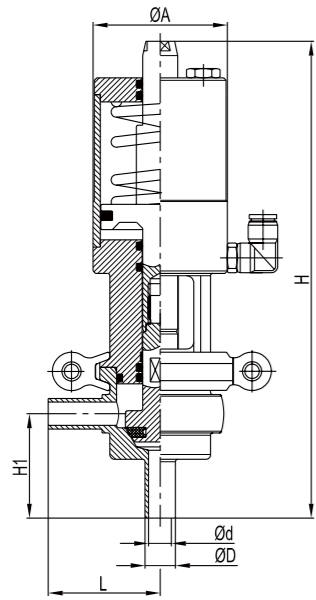
- Small and portable
- Split design
- Convenient disassembly and assembly



JOV-MNRHPSLL-11

Pneumatic Mini Divert Valve

Size	d	D	L	H1	A	H
0.5"	9.5	12.7	46	43	56	234
0.75"	16.1	19.7	47	49	56	252
Size	d	D	L	H1	A	H
DN10	9	12	46	43	35	234
DN15	15	18	47	49	44	252
DN20	19	22	47	49	44	252



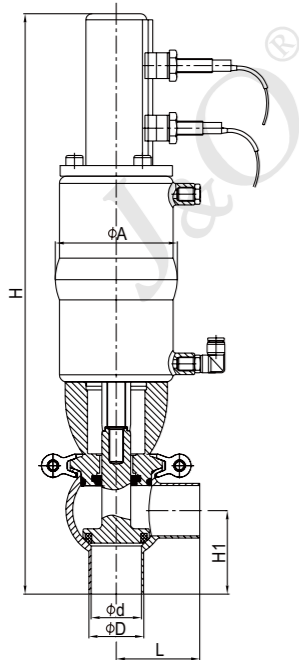
JOV-MNRHPSL-11

Pneumatic Mini Cut-off Valve

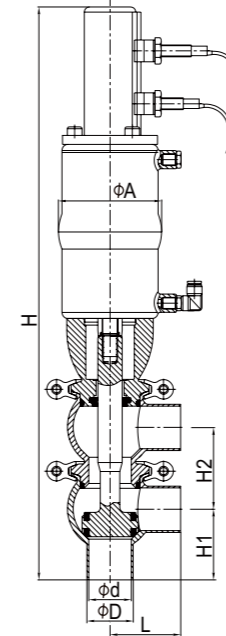
Size	d	D	L	H1	A	H
0.5"	9.5	12.7	46	43	56	199
0.75"	16.1	19.7	47	49	56	207
Size	d	D	L	H1	A	H
DN10	9	12	46	43	56	199
DN15	15	18	47	49	56	207
DN20	19	22	47	49	56	207

Pneumatic Cut off valve

1"	22.4	25.4	72	72	85	398
1.25"	28.8	31.8	72	72	85	398
1.5"	35.1	38.1	72	72	85	396
2"	47.8	50.8	72	72	126	428
2.5"	59.5	63.5	80	75	126	446
3"	72.2	76.2	98	98	126	475
3.5"	84.9	88.9	107	107	140	492
4"	97.6	101.6	135	127	151	535
Size	d	D	L	H1	A	H
DN25	25	28	72	72	85	398
DN32	31	34	72	72	85	398
DN40	37	40	72	72	85	396
DN50	49	52	72	72	126	428
DN65	66	70	97	97	126	475
DN80	81	85	107	107	140	492
DN100	100	104	135	127	151	535



JOV-RHPSAPVSL-11



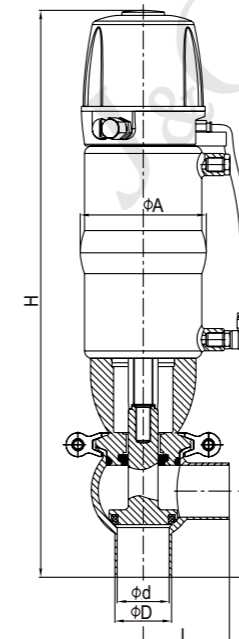
JOV-RHPSAPVSL-11

Pneumatic Divert/Cut off Valve

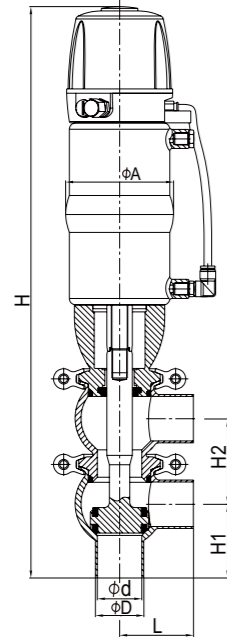
1"	22.4	25.4	72	72	66	85	465
1.25"	28.8	31.8	72	72	66	85	465
1.5"	35.1	38.1	72	72	67	85	468
2"	47.8	50.8	72	72	76	126	504
2.5"	59.5	63.5	80	75	88	126	534
3"	72.2	76.2	98	98	106	126	561
3.5"	84.9	88.9	107	107	120	140	612
4"	97.6	101.6	135	127	135	151	670
Size	d	D	L	H1	H2	A	H
DN25	25	28	72	72	66	85	465
DN32	31	34	72	72	66	85	465
DN40	37	40	72	72	67	85	468
DN50	49	52	72	72	76	126	504
DN65	66	70	97	97	106	126	561
DN80	81	85	107	107	120	140	612
DN100	100	104	135	127	135	151	670

Intelligent Pneumatic Cut-off Valve

1"	22.4	25.4	72	72	66	85	429
1.25"	28.8	31.8	72	72	66	85	429
1.5"	35.1	38.1	72	72	67	85	427
2"	47.8	50.8	72	72	76	126	459
2.5"	59.5	63.5	80	75	88	126	477
3"	72.2	76.2	98	98	106	126	506
3.5"	84.9	88.9	107	107	120	140	523
4"	97.6	101.6	135	127	135	151	566
Size	d	D	L	H1	H2	A	H
DN25	25	28	72	72	66	85	429
DN32	31	34	72	72	66	85	429
DN40	37	40	72	72	67	85	427
DN50	49	52	72	72	76	126	459
DN65	66	70	97	97	106	126	506
DN80	81	85	107	107	120	140	523
DN100	100	104	135	127	135	151	566



JOV-RHPSAPVCL-11



JOV-RHPSAPVCLL-11

Intelligent Pneumatic Divert Valve

Size	d	D	L	H1	H2	A	H
1"	22.4	25.4	72	72	66	85	496
1.25"	28.8	31.8	72	72	66	85	496
1.5"	35.1	38.1	72	72	67	85	494
2"	47.8	50.8	72	72	76	126	535
2.5"	59.5	63.5	80	75	88	126	565
3"	72.2	76.2	98	98	106	126	612
3.5"	84.9	88.9	107	107	120	140	643
4"	97.6	101.6	135	127	135	151	701
Size	d	D	L	H1	H2	A	H
DN25	25	28	72	72	66	85	496
DN32	31	34	72	72	66	85	496
DN40	37	40	72	72	67	85	494
DN50	49	52	72	72	76	126	535
DN65	66	70	97	97	106	126	612
DN80	81	85	107	107	120	140	643
DN100	100	104	135	127	135	151	701

A large grid area for writing a memorandum, consisting of a 20x20 grid of squares. A faint watermark 'www.sanitary-valves.com' is visible across the grid.